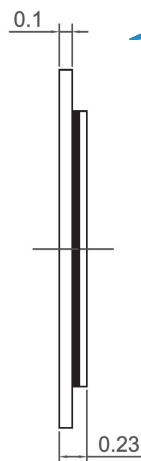
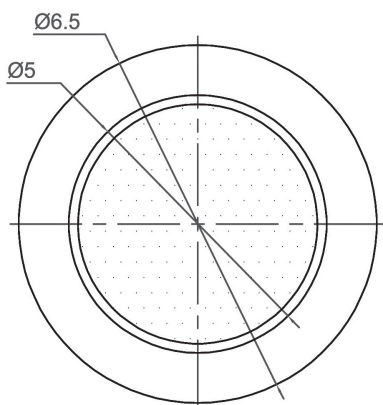
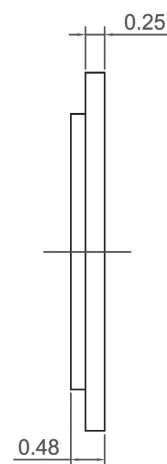
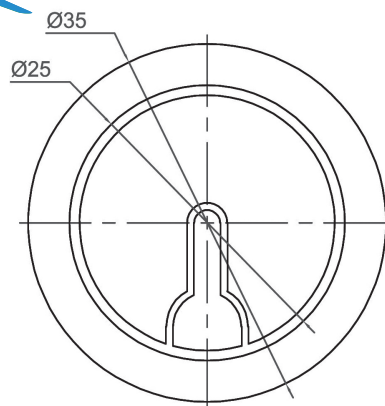


# Piezo Element



Series	Canopus Part no.	Diameter (mm)	Ceramic Diameter (mm)	Height (mm)	Metal Thickness (mm)	Frequency (Hz)	Capacitance (Cm) (pF)	Capacitance (Cf) (pF)
CPE0622	CPE0622B135	Ø 6.5	Ø 5	0.22	0.1	13500 ± 2000	2600 ± 30 %	-
CPE1245	CPE1245B165	Ø 12	Ø 9	0.45	0.2	16500 ± 1000	4000 ± 30 %	-
CPE1543	CPE1543B100	Ø 15	Ø 10	0.43	0.2	10500 ± 1000	8000 ± 30 %	-
CPE2046	CPE2046B071	Ø 20	Ø 15	0.46	0.2	7100 ± 500	13000 ± 30 %	-
CPE2738	CPE2738B033	Ø 27	Ø 20	0.38	0.2	3300 ± 500	35000 ± 30 %	-
CPE3146	CPE3146B029	Ø 31	Ø 20	0.46	0.2	2900 ± 300	23000 ± 30 %	-
CPE3551	CPE3551B023	Ø 35	Ø 25	0.51	0.25	2300 ± 300	37000 ± 30 %	-
CPE4141	CPE4141B015	Ø 41	Ø 25	0.41	0.2	1500 ± 300	40000 ± 30 %	-
CPE5041	CPE5041B011	Ø 50	Ø 30	0.41	0.2	1100 ± 300	60000 ± 30 %	-



Series	Canopus Part no.	Diameter (mm)	Ceramic Diameter (mm)	Height (mm)	Metal Thickness (mm)	Frequency (Hz)	Capacitance (Cm) (pF)	Capacitance (Cf) (pF)
CIP2022	CIP2022B039	Ø 20	Ø 15	0.22	0.1	3900 ± 500	25000 ± 30 %	2700 ± 30 %
CIP2732	CIP2732B030	Ø 27	Ø 20	0.32	0.15	3000 ± 300	30000 ± 30 %	3100 ± 30 %
CIP3548	CIP3548B026	Ø 35	Ø 25	0.48	0.25	2600 ± 300	36000 ± 30 %	4000 ± 30 %
CIP3542	CIP3542S032	Ø 34.55	Ø 25	0.52	0.3	3200 ± 300	37000 ± 30 %	4600 ± 30 %

**Your Efficient Supplier**  
[www.canopus.com.hk](http://www.canopus.com.hk)

TEL.: (852) 2806 2812

Fax: (852) 2652 2216