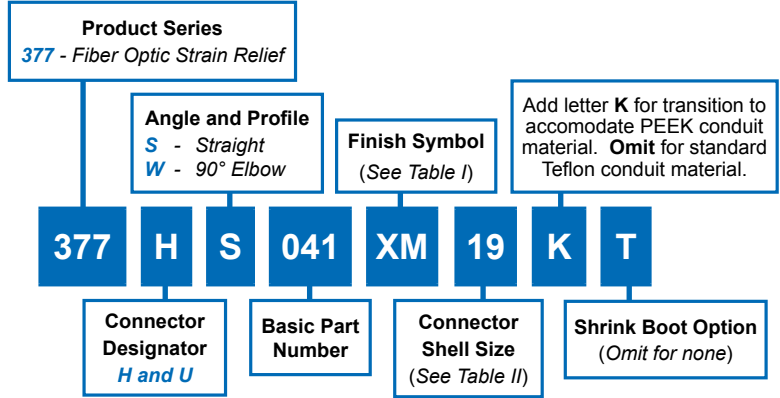
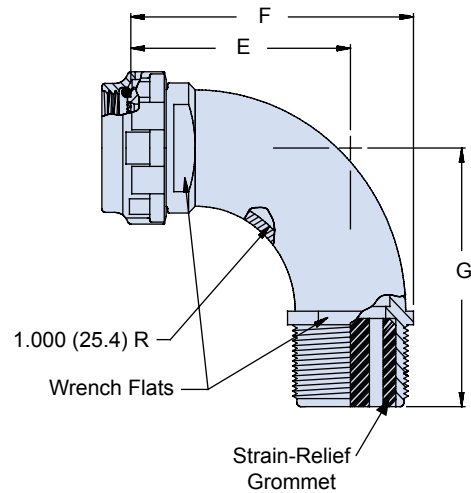
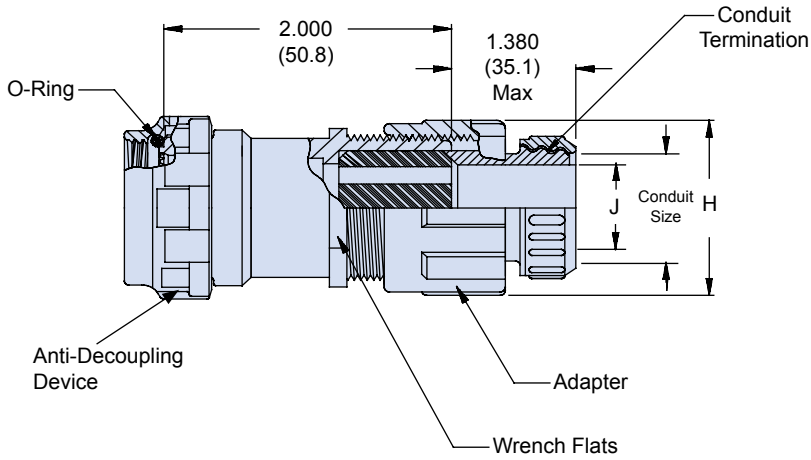


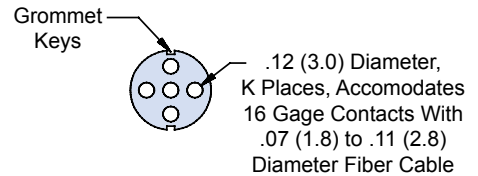
CONNECTOR DESIGNATOR:
H - MIL-DTL-38999 Series III and IV U - DG123 and DG123A
SELF-LOCKING
ROTATABLE COUPLING
STANDARD PROFILE



C



* Conduit I.D. Accommodates Glenair Series 74 Type A Convolute Tubing, In Accordance With SAE-AMS-T-81914.



Note: See Table II For Front-End Details and Shell Size References

377-041
Composite Fiber-Optic Conduit Backshell
Self-Locking Rotatable Coupling



TABLE I

Symbol	Finish Description
XB	No Plating - Black Color, Non-Conductive
XO	No Plating - Brown Color, Non-Conductive

TABLE II: CONNECTOR SHELL SIZE ORDER NUMBER

Shell Size For Conn. Desig.		E		F		G		H		J		Conduit Size	K (# of Holes) *	
H	U	± .06	(1.5)	± .09	(2.3)	± .06	(1.5)	(Max)	(Ref.)	(Ref.)			Code H	Code U
11	---	1.70	(43.2)	2.39	(60.7)	1.90	(48.3)	1.41	(35.8)	.270	(6.9)	12	2	---
13	11	1.78	(45.2)	2.47	(62.7)	1.96	(49.8)	1.41	(35.8)	.330	(8.4)	14	4	2
15	13	1.82	(46.2)	2.51	(63.8)	2.02	(51.3)	1.41	(35.8)	.390	(9.9)	16	5	4
17	15	1.89	(48.0)	2.70	(68.6)	2.09	(53.1)	1.64	(41.7)	.510	(13.0)	20	8	5
19	17	1.93	(49.0)	2.74	(69.6)	2.13	(54.1)	1.64	(41.7)	.640	(16.3)	24	11	8
21	19	2.00	(50.8)	2.94	(74.7)	2.19	(55.6)	1.89	(48.0)	.770	(19.6)	28	16	11
23	21	2.08	(52.8)	3.02	(76.7)	2.25	(57.2)	1.89	(48.0)	.890	(22.6)	32	21	16
25	23	2.14	(54.4)	3.20	(81.3)	2.32	(58.9)	2.16	(54.9)	.890	(22.6)	32	29	21
---	25	2.22	(56.4)	3.28	(83.3)	2.39	(60.7)	2.16	(54.9)	.890	(22.6)	32	---	29

* Use Glenair 687-142 seal plug in vacant holes

Metric dimensions (mm) are in parentheses and are for reference only.