

PMP5501V; PMP5501G; PMP5501Y

PNP/PNP matched double transistors

Rev. 03 — 28 August 2009

Product data sheet

1. Product profile

1.1 General description

PNP/PNP matched double transistors in small Surface-Mounted Device (SMD) plastic packages. The transistors in the SOT666 and SOT363 (SC-88) packages are fully isolated internally.

Table 1. Product overview

Type number	Package		PNP/PNP h_{FE1}/h_{FE2} 0.98 complement	NPN/NPN complement
	NXP	JEITA		
PMP5501V	SOT666	-	PMP5201V	PMP4501V
PMP5501G	SOT353	SC-88A	PMP5201G	PMP4501G
PMP5501Y	SOT363	SC-88	PMP5201Y	PMP4501Y

1.2 Features

- Current gain matching
- Base-emitter voltage matching
- Common emitter configuration for SOT353 types
- Application-optimized pinout

1.3 Applications

- Current mirror
- Differential amplifier

1.4 Quick reference data

Table 2. Quick reference data

Symbol	Parameter	Conditions	Min	Typ	Max	Unit
Per transistor						
V_{CEO}	collector-emitter voltage	open base	-	-	-45	V
I_C	collector current		-	-	-100	mA
h_{FE}	DC current gain	$V_{CE} = -5\text{ V};$ $I_C = -2\text{ mA}$	200	290	450	

Table 2. Quick reference data ...continued

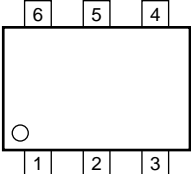
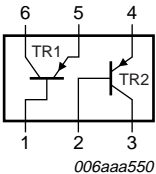
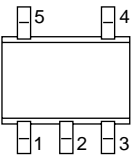
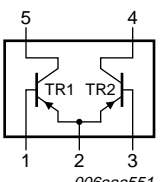
Symbol	Parameter	Conditions	Min	Typ	Max	Unit
Per device						
h_{FE1}/h_{FE2}	h_{FE} matching	$V_{CE} = -5\text{ V};$ $I_C = -2\text{ mA}$	[1] 0.95	1	-	
$V_{BE1}-V_{BE2}$	V_{BE} matching	$V_{CE} = -5\text{ V};$ $I_C = -2\text{ mA}$	[2] -	-	2	mV

[1] The smaller of the two values is taken as the numerator.

[2] The smaller of the two values is subtracted from the larger value.

2. Pinning information

Table 3. Pinning

Pin	Description	Simplified outline	Symbol
SOT666; SOT363			
1	base TR1		
2	base TR2		
3	collector TR2		
4	emitter TR2		
5	emitter TR1		
6	collector TR1		
SOT353			
1	base TR1		
2	emitter TR1, TR2		
3	base TR2		
4	collector TR2		
5	collector TR1		

3. Ordering information

Table 4. Ordering information

Type number	Package		Version
	Name	Description	
PMP5501V	-	plastic surface-mounted package; 6 leads	SOT666
PMP5501G	SC-88A	plastic surface-mounted package; 5 leads	SOT353
PMP5501Y	SC-88	plastic surface-mounted package; 6 leads	SOT363

4. Marking

Table 5. Marking codes

Type number	Marking code ^[1]
PMP5501V	ED
PMP5501G	R4*
PMP5501Y	S6*

- [1] * = -: made in Hong Kong
 * = p: made in Hong Kong
 * = t: made in Malaysia
 * = W: made in China

5. Limiting values

Table 6. Limiting values

In accordance with the Absolute Maximum Rating System (IEC 60134).

Symbol	Parameter	Conditions	Min	Max	Unit
Per transistor					
V_{CBO}	collector-base voltage	open emitter	-	-50	V
V_{CEO}	collector-emitter voltage	open base	-	-45	V
V_{EBO}	emitter-base voltage	open collector	-	-5	V
I_C	collector current		-	-100	mA
I_{CM}	peak collector current	single pulse; $t_p \leq 1$ ms	-	-200	mA
P_{tot}	total power dissipation	$T_{amb} \leq 25$ °C			
	SOT666		^{[1][2]}	200	mW
	SOT353		^[1]	200	mW
	SOT363		^[1]	200	mW
Per device					
P_{tot}	total power dissipation	$T_{amb} \leq 25$ °C			
	SOT666		^{[1][2]}	300	mW
	SOT353		^[1]	300	mW
	SOT363		^[1]	300	mW
T_j	junction temperature		-	150	°C
T_{amb}	ambient temperature		-65	+150	°C
T_{stg}	storage temperature		-65	+150	°C

[1] Device mounted on an FR4 Printed-Circuit Board (PCB), single-sided copper, tin-plated and standard footprint.

[2] Reflow soldering is the only recommended soldering method.

6. Thermal characteristics

Table 7. Thermal characteristics

Symbol	Parameter	Conditions	Min	Typ	Max	Unit
Per transistor						
$R_{th(j-a)}$	thermal resistance from junction to ambient	in free air				
	SOT666		[1][2]	-	625	K/W
	SOT353		[1]	-	625	K/W
	SOT363		[1]	-	625	K/W
Per device						
$R_{th(j-a)}$	thermal resistance from junction to ambient	in free air				
	SOT666		[1][2]	-	416	K/W
	SOT353		[1]	-	416	K/W
	SOT363		[1]	-	416	K/W

[1] Device mounted on an FR4 PCB, single-sided copper, tin-plated and standard footprint.

[2] Reflow soldering is the only recommended soldering method.

7. Characteristics

Table 8. Characteristics

$T_{amb} = 25\text{ °C}$ unless otherwise specified.

Symbol	Parameter	Conditions	Min	Typ	Max	Unit
Per transistor						
I_{CBO}	collector-base cut-off current	$V_{CB} = -30\text{ V};$ $I_E = 0\text{ A}$	-	-	-15	nA
		$V_{CB} = -30\text{ V};$ $I_E = 0\text{ A};$ $T_j = 150\text{ °C}$	-	-	-5	μA
I_{EBO}	emitter-base cut-off current	$V_{EB} = -5\text{ V};$ $I_C = 0\text{ A}$	-	-	-100	nA
h_{FE}	DC current gain	$V_{CE} = -5\text{ V};$ $I_C = -10\text{ }\mu\text{A}$	-	250	-	
		$V_{CE} = -5\text{ V};$ $I_C = -2\text{ mA}$	200	290	450	
V_{CEsat}	collector-emitter saturation voltage	$I_C = -10\text{ mA};$ $I_B = -0.5\text{ mA}$	-	-50	-200	mV
		$I_C = -100\text{ mA};$ $I_B = -5\text{ mA}$	-	-200	-400	mV
V_{BEsat}	base-emitter saturation voltage	$I_C = -10\text{ mA};$ $I_B = -0.5\text{ mA}$	[1]	-	-760	mV
		$I_C = -100\text{ mA};$ $I_B = -5\text{ mA}$	[1]	-	-920	mV

Table 8. Characteristics ...continued
 $T_{amb} = 25^{\circ}C$ unless otherwise specified.

Symbol	Parameter	Conditions	Min	Typ	Max	Unit
V_{BE}	base-emitter voltage	$V_{CE} = -5 V$; $I_C = -2 mA$	[2] -600	-650	-700	mV
		$V_{CE} = -5 V$; $I_C = -10 mA$	[2] -	-	-760	mV
C_c	collector capacitance	$V_{CB} = -10 V$; $I_E = i_e = 0 A$; $f = 1 MHz$	-	-	2.2	pF
C_e	emitter capacitance	$V_{EB} = -0.5 V$; $I_C = i_c = 0 A$; $f = 1 MHz$	-	10	-	pF
f_T	transition frequency	$V_{CE} = -5 V$; $I_C = -10 mA$; $f = 100 MHz$	100	175	-	MHz
NF	noise figure	$V_{CE} = -5 V$; $I_C = -0.2 mA$; $R_S = 2 k\Omega$; $f = 10 Hz$ to 15.7 kHz	-	1.6	-	dB
		$V_{CE} = -5 V$; $I_C = -0.2 mA$; $R_S = 2 k\Omega$; $f = 1 kHz$; $B = 200 Hz$	-	3.1	-	dB
Per device						
h_{FE1}/h_{FE2}	h_{FE} matching	$V_{CE} = -5 V$; $I_C = -2 mA$	[3] 0.95	1	-	
$V_{BE1}-V_{BE2}$	V_{BE} matching	$V_{CE} = -5 V$; $I_C = -2 mA$	[4] -	-	2	mV

[1] V_{BEsat} decreases by about 1.7 mV/K with increasing temperature.

[2] V_{BE} decreases by about 2 mV/K with increasing temperature.

[3] The smaller of the two values is taken as the numerator.

[4] The smaller of the two values is subtracted from the larger value.

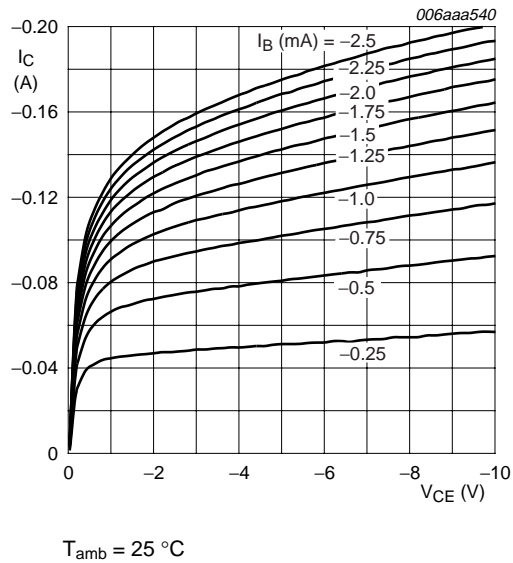


Fig 1. Collector current as a function of collector-emitter voltage; typical values

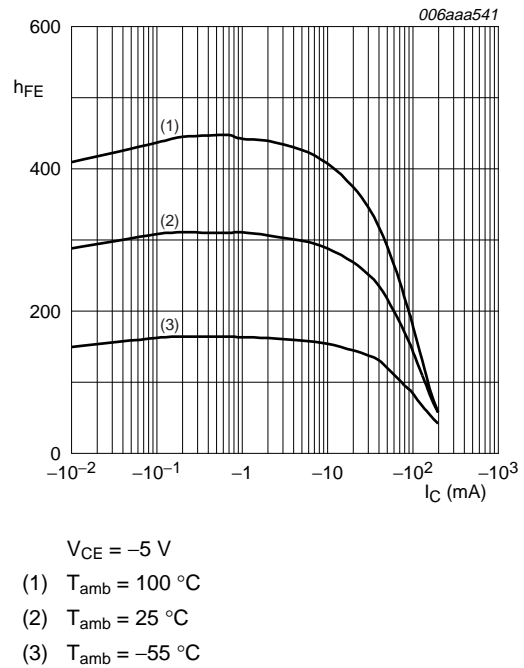


Fig 2. DC current gain as a function of collector current; typical values

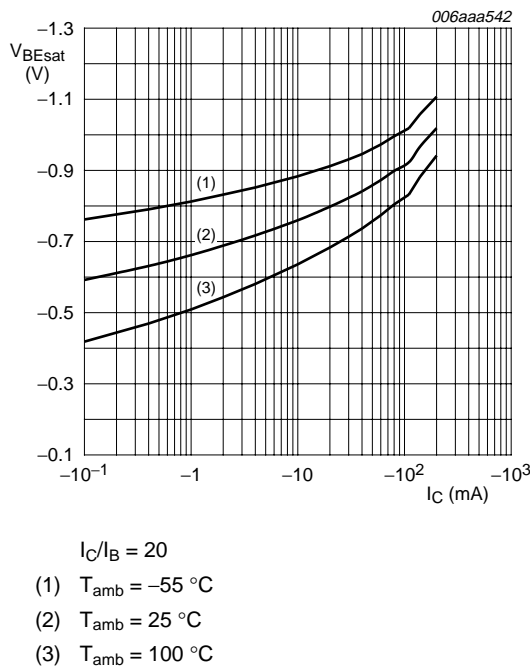


Fig 3. Base-emitter saturation voltage as a function of collector current; typical values

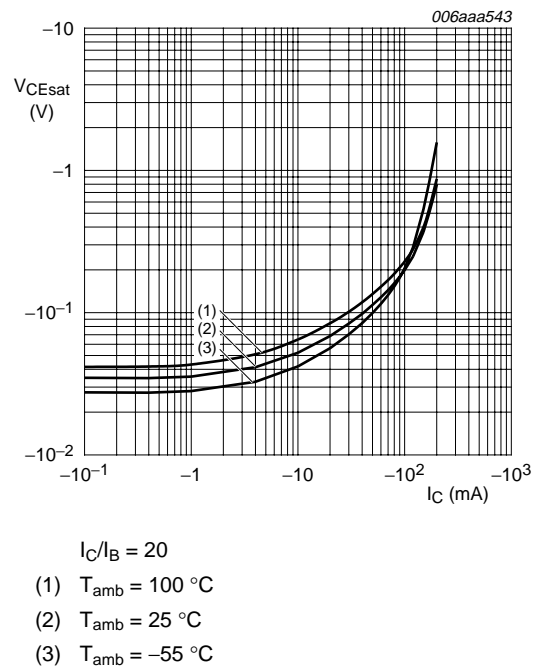
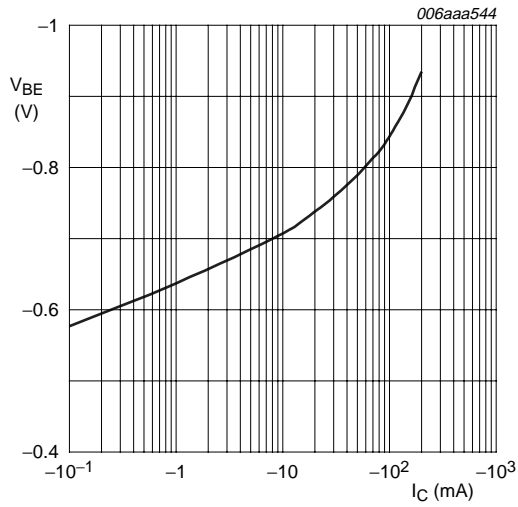
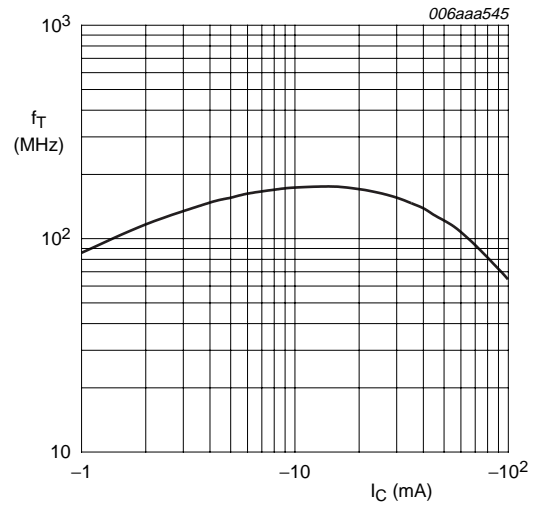


Fig 4. Collector-emitter saturation voltage as a function of collector current; typical values



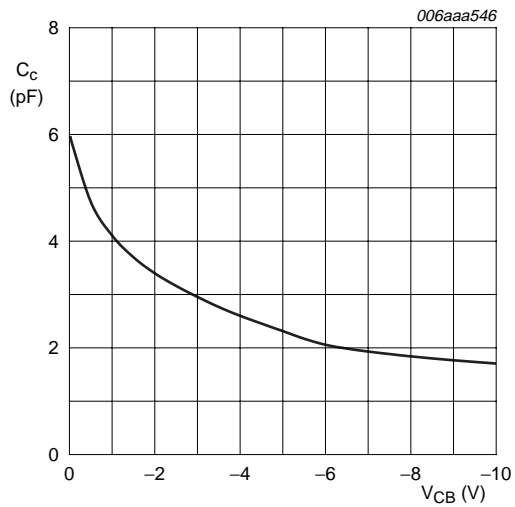
$V_{CE} = -5$ V; $T_{amb} = 25$ °C

Fig 5. Base-emitter voltage as a function of collector current; typical values



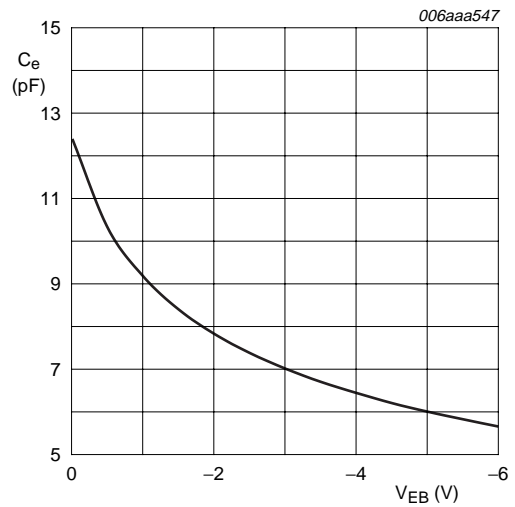
$V_{CE} = -5$ V; $T_{amb} = 25$ °C

Fig 6. Transition frequency as a function of collector current; typical values



$f = 1$ MHz; $T_{amb} = 25$ °C

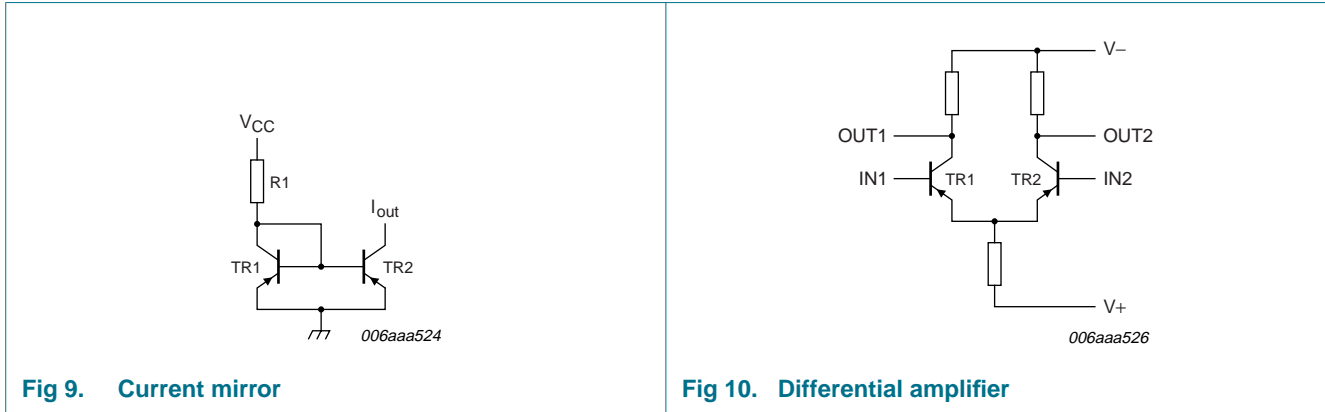
Fig 7. Collector capacitance as a function of collector-base voltage; typical values



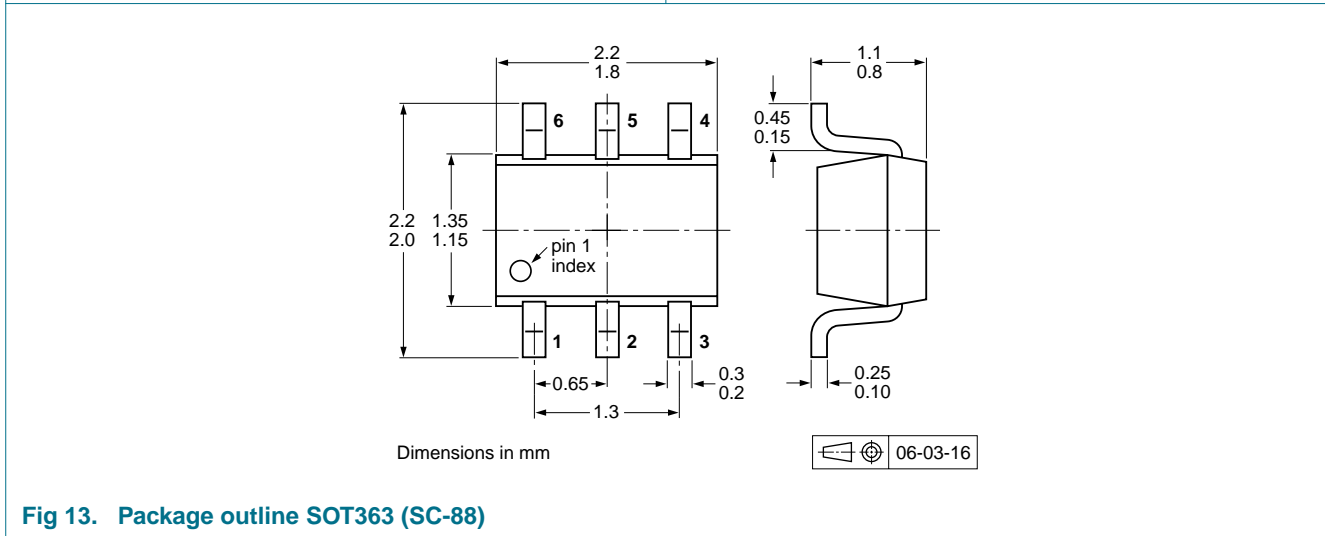
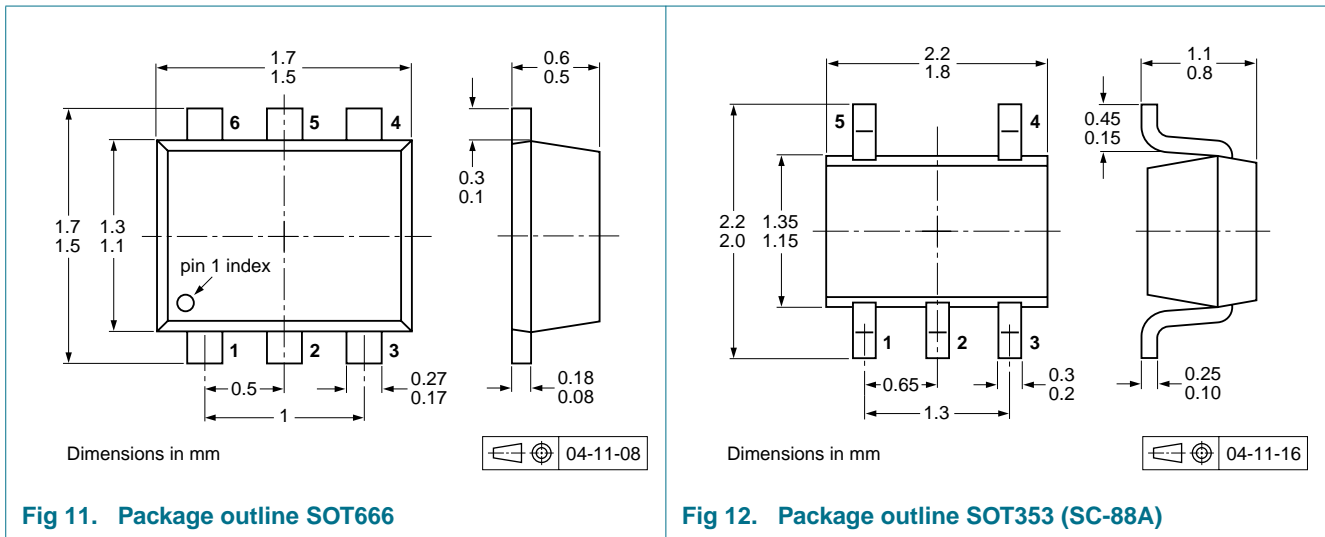
$f = 1$ MHz; $T_{amb} = 25$ °C

Fig 8. Emitter capacitance as a function of emitter-base voltage; typical values

8. Application information



9. Package outline



10. Packing information

Table 9. Packing methods

The indicated -xxx are the last three digits of the 12NC ordering code.^[1]

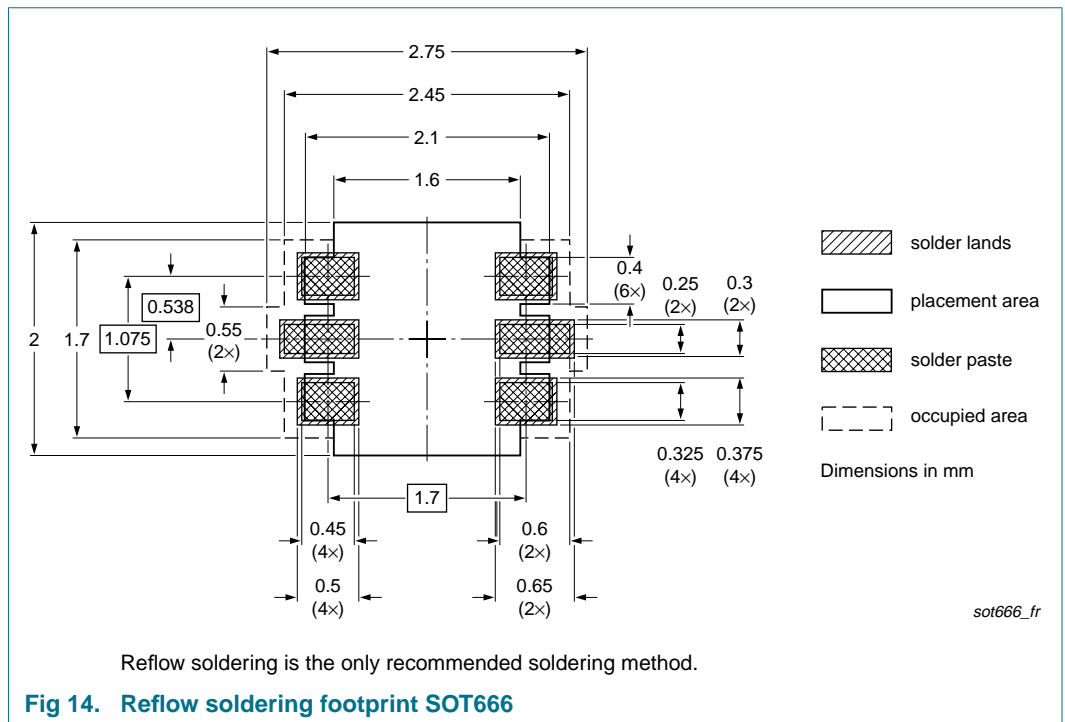
Type number	Package	Description	Packing quantity			
			3000	4000	8000	10000
PMP5501V	SOT666	2 mm pitch, 8 mm tape and reel	-	-	-315	-
		4 mm pitch, 8 mm tape and reel	-	-115	-	-
PMP5501G	SOT353	4 mm pitch, 8 mm tape and reel	-115	-	-	-135
PMP5501Y	SOT363	4 mm pitch, 8 mm tape and reel; T1 ^[2]	-115	-	-	-135
		4 mm pitch, 8 mm tape and reel; T2 ^[3]	-125	-	-	-165

[1] For further information and the availability of packing methods, see [Section 14](#).

[2] T1: normal taping

[3] T2: reverse taping

11. Soldering



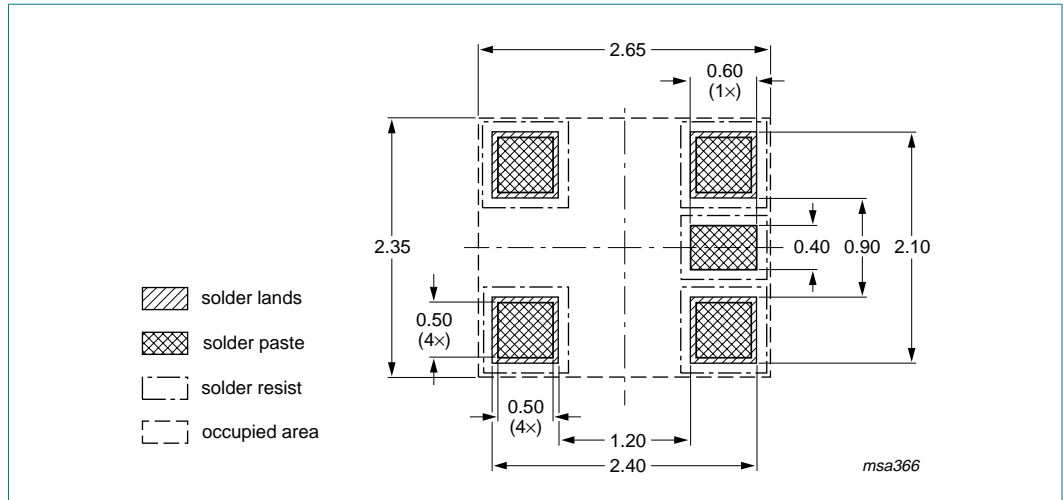


Fig 15. Reflow soldering footprint SOT353 (SC-88A)

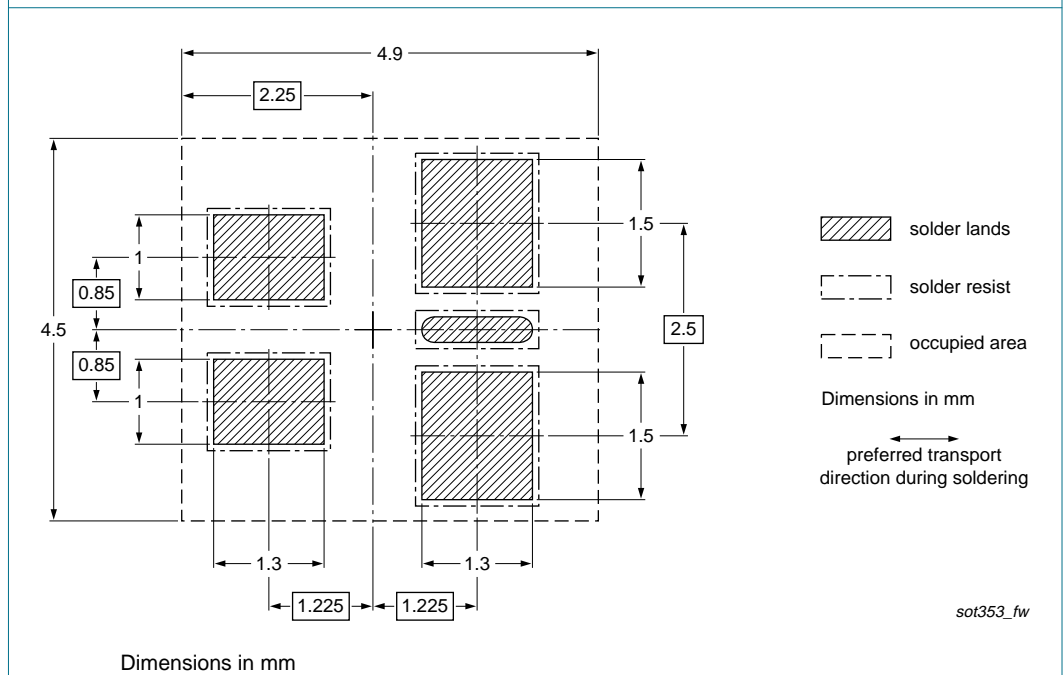


Fig 16. Wave soldering footprint SOT353 (SC-88A)

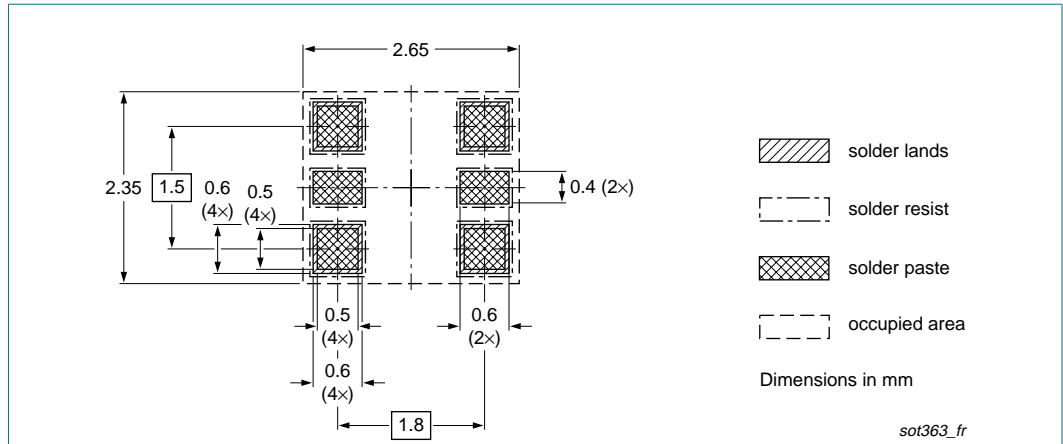


Fig 17. Reflow soldering footprint SOT363 (SC-88)

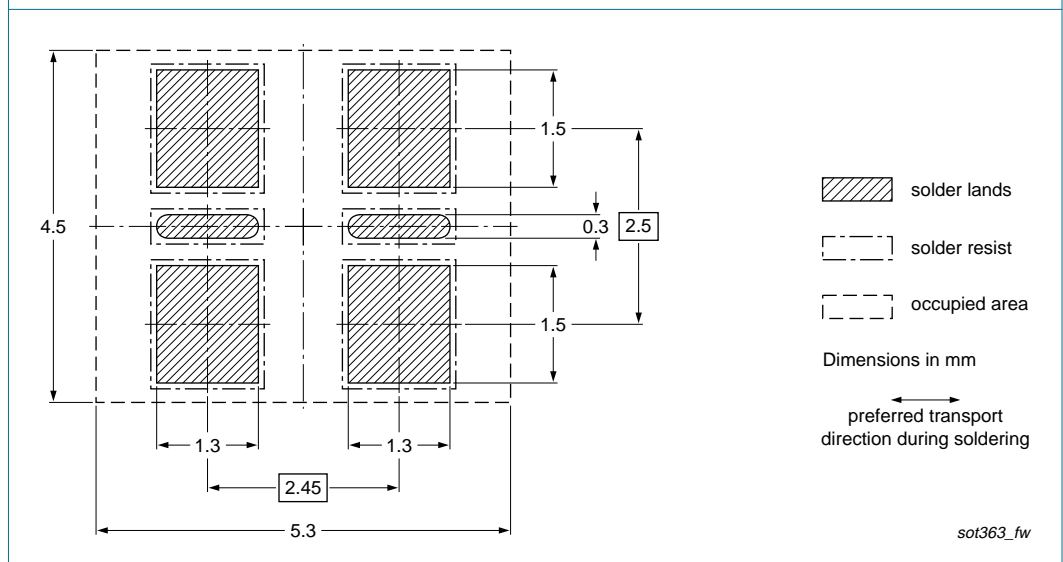


Fig 18. Wave soldering footprint SOT363 (SC-88)

12. Revision history

Table 10. Revision history

Document ID	Release date	Data sheet status	Change notice	Supersedes
PMP5501V_G_Y_3	20090828	Product data sheet	-	PMP5501V_G_Y_2
Modifications:	<ul style="list-style-type: none"> • This data sheet was changed to reflect the new company name NXP Semiconductors, including new legal definitions and disclaimers. No changes were made to the technical content. • Figure 14 "Reflow soldering footprint SOT666": updated • Figure 16 "Wave soldering footprint SOT353 (SC-88A)": updated • Figure 17 "Reflow soldering footprint SOT363 (SC-88)": updated • Figure 18 "Wave soldering footprint SOT363 (SC-88)": updated 			
PMP5501V_G_Y_2	20060919	Product data sheet	-	PMP5501G_Y_1
PMP5501G_Y_1	20060221	Product data sheet	-	-

13. Legal information

13.1 Data sheet status

Document status ^{[1][2]}	Product status ^[3]	Definition
Objective [short] data sheet	Development	This document contains data from the objective specification for product development.
Preliminary [short] data sheet	Qualification	This document contains data from the preliminary specification.
Product [short] data sheet	Production	This document contains the product specification.

[1] Please consult the most recently issued document before initiating or completing a design.

[2] The term 'short data sheet' is explained in section "Definitions".

[3] The product status of device(s) described in this document may have changed since this document was published and may differ in case of multiple devices. The latest product status information is available on the Internet at URL <http://www.nxp.com>.

13.2 Definitions

Draft — The document is a draft version only. The content is still under internal review and subject to formal approval, which may result in modifications or additions. NXP Semiconductors does not give any representations or warranties as to the accuracy or completeness of information included herein and shall have no liability for the consequences of use of such information.

Short data sheet — A short data sheet is an extract from a full data sheet with the same product type number(s) and title. A short data sheet is intended for quick reference only and should not be relied upon to contain detailed and full information. For detailed and full information see the relevant full data sheet, which is available on request via the local NXP Semiconductors sales office. In case of any inconsistency or conflict with the short data sheet, the full data sheet shall prevail.

13.3 Disclaimers

General — Information in this document is believed to be accurate and reliable. However, NXP Semiconductors does not give any representations or warranties, expressed or implied, as to the accuracy or completeness of such information and shall have no liability for the consequences of use of such information.

Right to make changes — NXP Semiconductors reserves the right to make changes to information published in this document, including without limitation specifications and product descriptions, at any time and without notice. This document supersedes and replaces all information supplied prior to the publication hereof.

Suitability for use — NXP Semiconductors products are not designed, authorized or warranted to be suitable for use in medical, military, aircraft, space or life support equipment, nor in applications where failure or malfunction of an NXP Semiconductors product can reasonably be expected to result in personal injury, death or severe property or environmental

damage. NXP Semiconductors accepts no liability for inclusion and/or use of NXP Semiconductors products in such equipment or applications and therefore such inclusion and/or use is at the customer's own risk.

Applications — Applications that are described herein for any of these products are for illustrative purposes only. NXP Semiconductors makes no representation or warranty that such applications will be suitable for the specified use without further testing or modification.

Limiting values — Stress above one or more limiting values (as defined in the Absolute Maximum Ratings System of IEC 60134) may cause permanent damage to the device. Limiting values are stress ratings only and operation of the device at these or any other conditions above those given in the Characteristics sections of this document is not implied. Exposure to limiting values for extended periods may affect device reliability.

Terms and conditions of sale — NXP Semiconductors products are sold subject to the general terms and conditions of commercial sale, as published at <http://www.nxp.com/profile/terms>, including those pertaining to warranty, intellectual property rights infringement and limitation of liability, unless explicitly otherwise agreed to in writing by NXP Semiconductors. In case of any inconsistency or conflict between information in this document and such terms and conditions, the latter will prevail.

No offer to sell or license — Nothing in this document may be interpreted or construed as an offer to sell products that is open for acceptance or the grant, conveyance or implication of any license under any copyrights, patents or other industrial or intellectual property rights.

Export control — This document as well as the item(s) described herein may be subject to export control regulations. Export might require a prior authorization from national authorities.

Quick reference data — The Quick reference data is an extract of the product data given in the Limiting values and Characteristics sections of this document, and as such is not complete, exhaustive or legally binding.

13.4 Trademarks

Notice: All referenced brands, product names, service names and trademarks are the property of their respective owners.

14. Contact information

For more information, please visit: <http://www.nxp.com>

For sales office addresses, please send an email to: salesaddresses@nxp.com

15. Contents

1	Product profile	1
1.1	General description	1
1.2	Features	1
1.3	Applications	1
1.4	Quick reference data	1
2	Pinning information	2
3	Ordering information	2
4	Marking	3
5	Limiting values	3
6	Thermal characteristics	4
7	Characteristics	4
8	Application information	8
9	Package outline	8
10	Packing information	9
11	Soldering	9
12	Revision history	12
13	Legal information	13
13.1	Data sheet status	13
13.2	Definitions	13
13.3	Disclaimers	13
13.4	Trademarks	13
14	Contact information	13
15	Contents	14

Please be aware that important notices concerning this document and the product(s) described herein, have been included in section 'Legal information'.



© NXP B.V. 2009.

All rights reserved.

For more information, please visit: <http://www.nxp.com>

For sales office addresses, please send an email to: salesaddresses@nxp.com

Date of release: 28 August 2009

Document identifier: PMP5501V_G_Y_3