

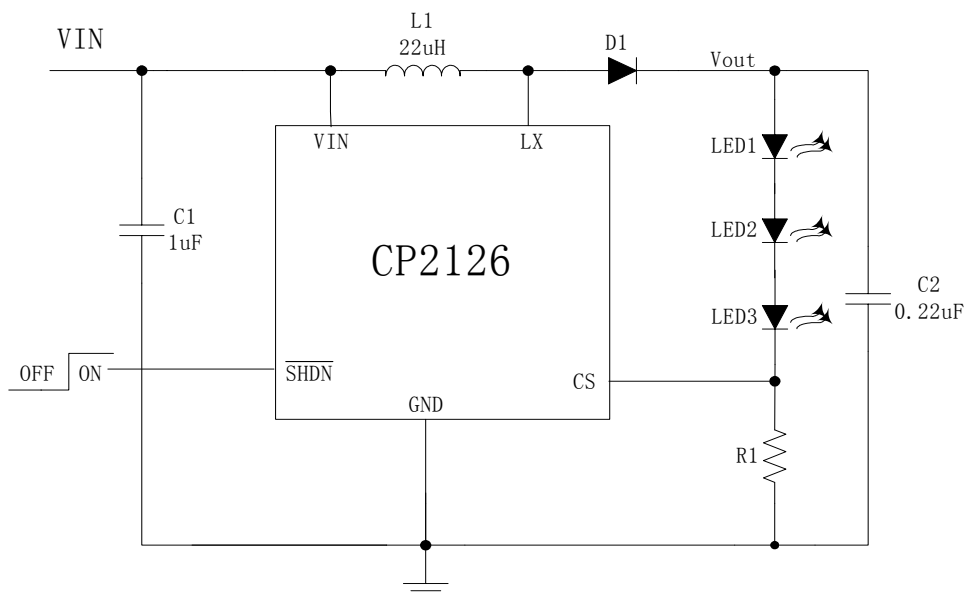
Step-Up White-LED Driver

CP2126_PB_ENG_Rev1.0 March,2004

APPLICATIONS

www.datasheet4u.com

- Cellular phones
- Digital Cameras
- MP3 Players
- PDAs、 Handheld computers
- GPS Receivers

TYPICAL APPLICATION

RELATED PRODUCTS

- CP2127: Step up White LED Driver, Switches at 1200kHz, can drive two to four LEDs in series.
- CP2128: Regulated Charge Pump DC/DC Converter with low noise, constant frequency.