
Description

The CXM3513ER can be used in wireless communication systems, for example, triple-band W-CDMA handsets. This IC has a decoder with 3 CMOS control inputs. The Sony JPHEMT process is used for low insertion loss and low distortion characteristic.

(Applications: Antenna switch for cellular handsets, triple-band W-CDMA)

www.DataSheet4U.com

Features

- ◆ Low insertion loss: 0.36dB @900MHz, 0.43dB @1.95GHz
- ◆ 3 CMOS compatible control lines

Package

Small package size: 20-pin VQFN (2.4mm × 3.2mm × 0.9mm)

Structure

GaAs JPHEMT MMIC

Absolute Maximum Ratings

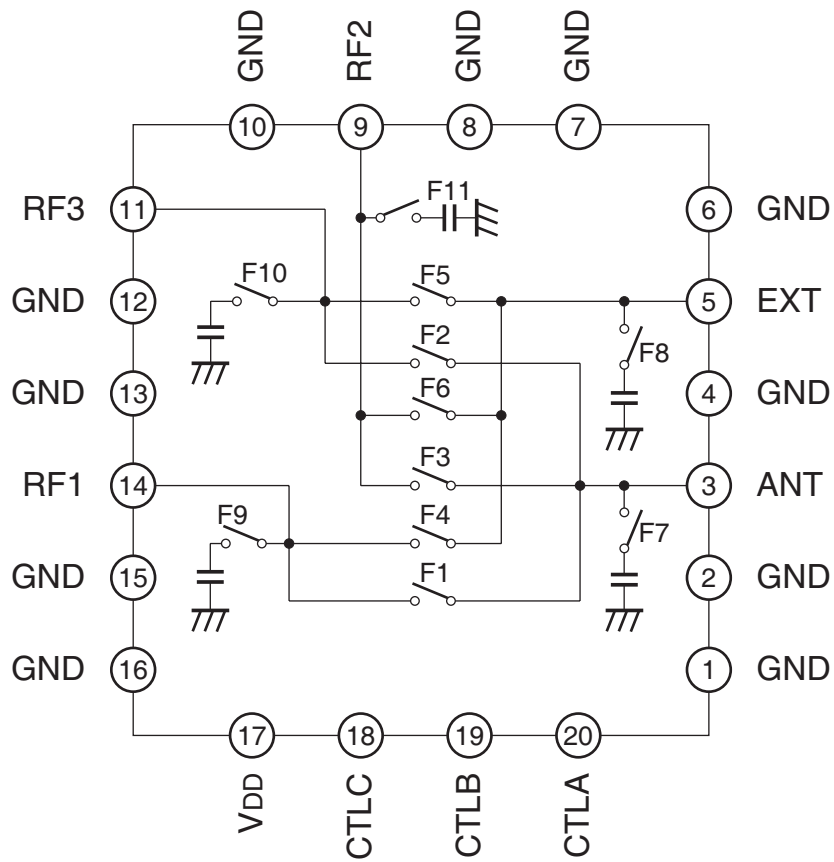
(Ta = 25°C)

◆ Bias voltage	V _{DD}	7	V
◆ Control voltage	V _{ctl}	5	V
◆ Operating temperature	T _{opr}	-35 to +85	°C
◆ Storage temperature	T _{stg}	-65 to +150	°C

This IC is ESD sensitive device. Special handling precautions are required.

Sony reserves the right to change products and specifications without prior notice. This information does not convey any license by any implication or otherwise under any patents or other right. Application circuits shown, if any, are typical examples illustrating the operation of the devices. Sony cannot assume responsibility for any problems arising out of the use of these circuits.

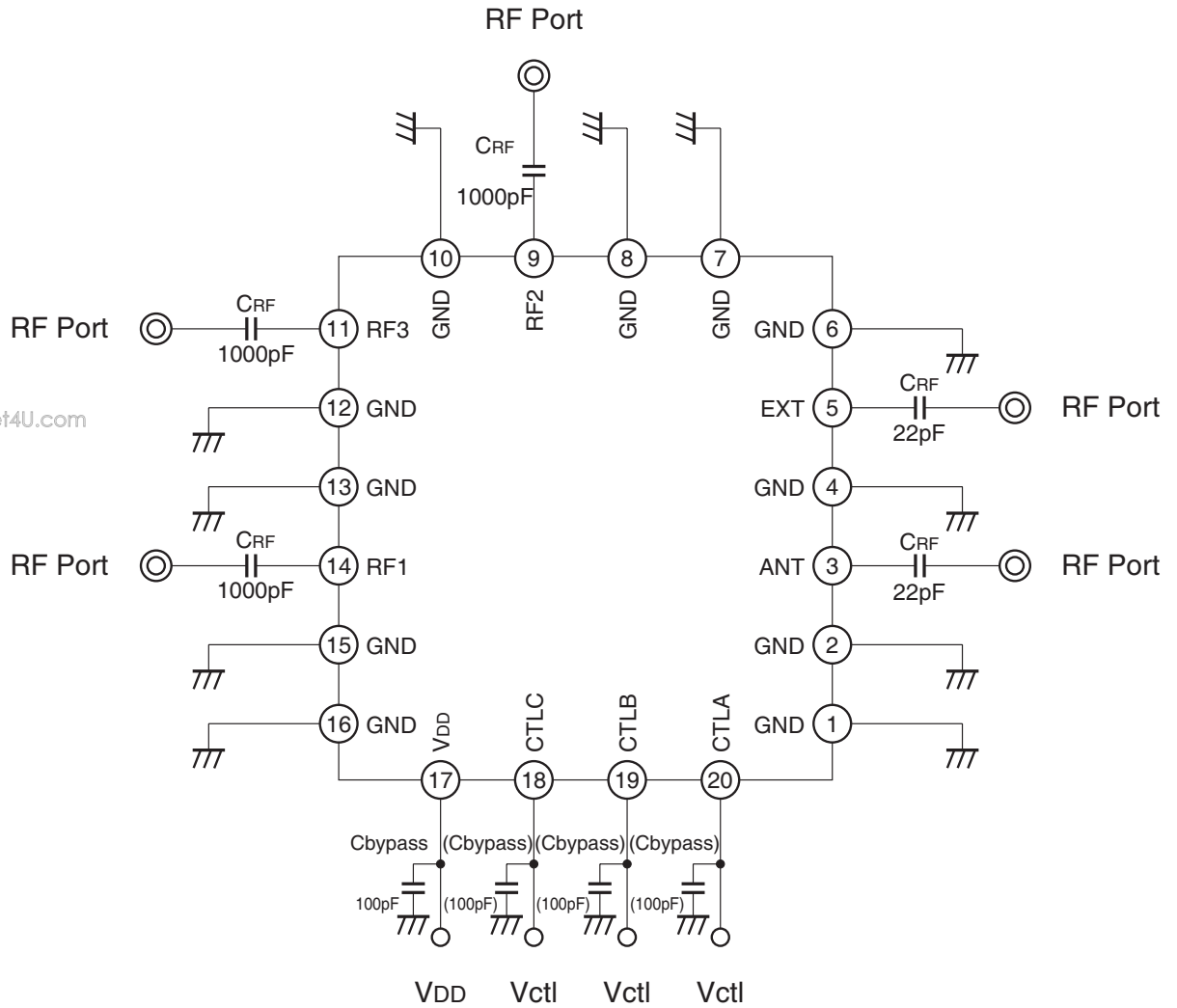
Block Diagram and Pin Configuration



www.DataSheet4U.com

Recommended Circuit

www.DataSheet4U.com



When using this IC, the following external components should be used:

CRF: This capacitor is used for RF decoupling and must be used for all applications.

Cbypass: This capacitor is used for DC line filtering.

Truth Table

State	CTL A	CTL B	CTL C	Mode	F1	F2	F3	F4	F5	F6	F7	F8	F9	F10	F11
1	H	L	L	ANT-RF3	OFF	ON	OFF	OFF	OFF	OFF	OFF	ON	ON	OFF	ON
2	L	L	L	EXT-RF3	OFF	OFF	OFF	OFF	ON	OFF	ON	OFF	ON	OFF	ON
3	H	L	H	ANT-RF2	OFF	OFF	ON	OFF	OFF	OFF	OFF	ON	ON	ON	OFF
4	L	L	H	EXT-RF2	OFF	OFF	OFF	OFF	OFF	ON	ON	OFF	ON	ON	OFF
5	H	H	L	ANT-RF1	ON	OFF	OFF	OFF	OFF	OFF	OFF	ON	OFF	ON	ON
6	L	H	L	EXT-RF1	OFF	OFF	OFF	ON	OFF	OFF	ON	OFF	OFF	ON	ON

DC Bias Conditions

www.DataSheet4U.com
(Ta = -35 to +85°C)

Item	Min.	Typ.	Max.	Unit
Vctl (H)	1.44	1.85	V _{DD}	V
Vctl (L)	0	—	0.3	V
V _{DD}	2.7	2.85	3.2	V

Electrical Characteristic

(Ta = 25°C, VDD = 2.85V)

Item	Symbol	State	Condition	Min.	Typ.	Max.	Unit
Insertion Loss	IL	ANT-RF1	830 to 885MHz		0.36	0.56	dB
		EXT-RF1	830 to 885MHz		0.36	0.56	dB
		ANT-RF2	1750 to 1880MHz		0.39	0.64	dB
		EXT-RF2	1750 to 1880MHz		0.40	0.65	dB
		ANT-RF3	1920 to 2170MHz		0.43	0.68	dB
		EXT-RF3	1920 to 2170MHz		0.45	0.70	dB
Isolation	ISO	ANT-RF1	830 to 885MHz	25	30		dB
		EXT-RF1	830 to 885MHz	28	33		dB
		ANT-RF2	1750 to 1880MHz	28	33		dB
		EXT-RF2	1750 to 1880MHz	25	30		dB
		ANT-RF3	1920 to 2170MHz	24	29		dB
		EXT-RF3	1920 to 2170MHz	24	29		dB
VSWR	VSWR	ANT	50Ω		1.1	1.4	—
		EXT	50Ω		1.1	1.4	—
1dB compression input power	P1dB		VDD = 2.85V		32		dBm
Switching speed	TSW				5	10	us
ACLR	ACLR1		±5MHz, 3.84MHz BW, *1, *2, *3		-60	-50	dBc
	ACLR2		±10MHz, 3.84MHz BW, *1, *2, *3		-65	-55	dBc
Harmonics	2fo		*1, *2, *3		-90	-70	dBc
	3fo		*1, *2, *3		-90	-70	dBc
Bias current	I _{dd}		VDD = 2.85V		105	210	μA
Control current	I _{ctl}		V _{ctl} (H) = 2.85V		0.1	5	μA
IMD2	IMD2_1_1	ANT-RF1	f _{ud} = f _{Rx} - f _{Tx} , *4		-107	-97	dBm
		EXT-RF1	f _{ud} = f _{Rx} - f _{Tx} , *4		-105	-95	dBm
	IMD2_1_2	ANT-RF2	f _{ud} = f _{Rx} - f _{Tx} , *5		-105	-95	dBm
		EXT-RF2	f _{ud} = f _{Rx} - f _{Tx} , *5		-105	-95	dBm
	IMD2_1_3	ANT-RF3	f _{ud} = f _{Rx} - f _{Tx} , *6		-110	-100	dBm
		EXT-RF3	f _{ud} = f _{Rx} - f _{Tx} , *6		-107	-97	dBm
	IMD2_2_1	ANT-RF1	f _{ud} = f _{Rx} + f _{Tx} , *4		-115	-105	dBm
		EXT-RF1	f _{ud} = f _{Rx} + f _{Tx} , *4		-115	-105	dBm
	IMD2_2_2	ANT-RF2	f _{ud} = f _{Rx} + f _{Tx} , *5		-115	-105	dBm
		EXT-RF2	f _{ud} = f _{Rx} + f _{Tx} , *5		-110	-100	dBm
	IMD2_2_3	ANT-RF3	f _{ud} = f _{Rx} + f _{Tx} , *6		-115	-105	dBm
		EXT-RF3	f _{ud} = f _{Rx} + f _{Tx} , *6		-110	-100	dBm

Item	Symbol	State	Condition	Min.	Typ.	Max.	Unit
IMD3	IMD3_1_1	ANT-RF1	$f_{ud} = 2 \times f_{Tx} - f_{Rx}$, *4		-107	-97	dBm
		EXT-RF1	$f_{ud} = 2 \times f_{Tx} - f_{Rx}$, *4		-107	-97	dBm
	IMD3_1_2	ANT-RF2	$f_{ud} = 2 \times f_{Tx} - f_{Rx}$, *5		-107	-97	dBm
		EXT-RF2	$f_{ud} = 2 \times f_{Tx} - f_{Rx}$, *5		-107	-97	dBm
	IMD3_1_3	ANT-RF3	$f_{ud} = 2 \times f_{Tx} - f_{Rx}$, *6		-107	-97	dBm
		EXT-RF3	$f_{ud} = 2 \times f_{Tx} - f_{Rx}$, *6		-107	-97	dBm
	IMD3_2_1	ANT-RF1	$f_{ud} = 2 \times f_{Tx} + f_{Rx}$, *4		-110	-100	dBm
		EXT-RF1	$f_{ud} = 2 \times f_{Tx} + f_{Rx}$, *4		-110	-100	dBm
	IMD3_2_2	ANT-RF2	$f_{ud} = 2 \times f_{Tx} + f_{Rx}$, *5		-110	-100	dBm
		EXT-RF2	$f_{ud} = 2 \times f_{Tx} + f_{Rx}$, *5		-110	-100	dBm
	IMD3_2_3	ANT-RF3	$f_{ud} = 2 \times f_{Tx} + f_{Rx}$, *6		-110	-100	dBm
		EXT-RF3	$f_{ud} = 2 \times f_{Tx} + f_{Rx}$, *6		-110	-100	dBm

www.DataSheet4U.com

*1 Pin = 25dBm, Vctl = 0/1.85V, VDD = 2.85V, 830 to 840MHz

*2 Pin = 25dBm, Vctl = 0/1.85V, VDD = 2.85V, 1750 to 1785MHz

*3 Pin = 25dBm, Vctl = 0/1.85V, VDD = 2.85V, 1920 to 1980MHz

*4 Pin = 20dBm, Vctl = 0/1.85V, VDD = 2.85V, fTx = 830 to 840MHz, Pin = -15dBm, fRx = 875 to 885MHz

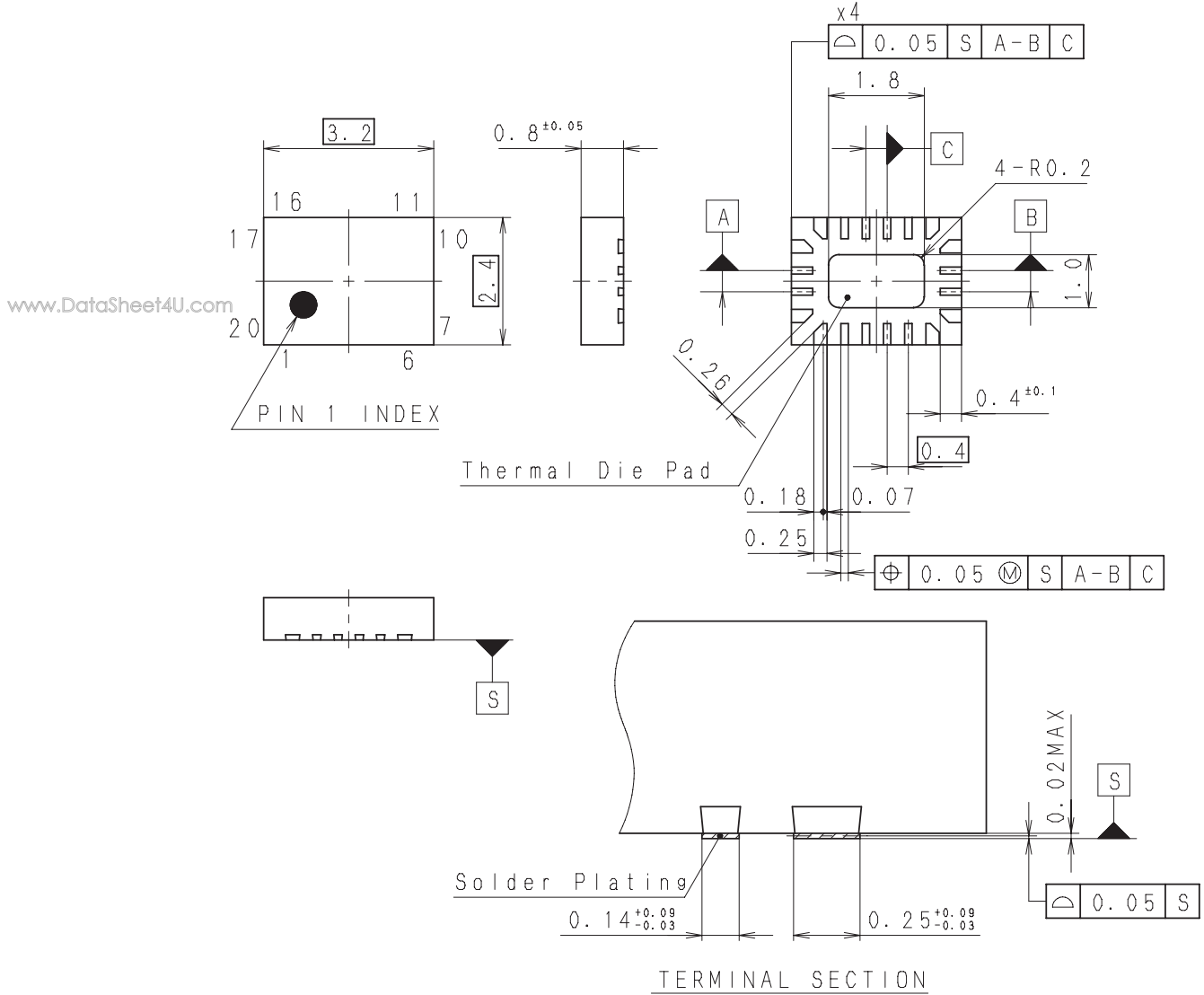
*5 Pin = 20dBm, Vctl = 0/1.85V, VDD = 2.85V, fTx = 1750 to 1785MHz, Pin = -15dBm, fRx = 1845 to 1880MHz

*6 Pin = 20dBm, Vctl = 0/1.85V, VDD = 2.85V, fTx = 1920 to 1980MHz, Pin = -15dBm, fRx = 2110 to 2170MHz

Package Outline

(Unit: mm)

20PIN VQFN (PLASTIC)



Note:Cutting burr of lead are 0.05mm MAX.

PACKAGE STRUCTURE

SONY CODE	VQFN-20P-03
JEITA CODE	_____
JEDEC CODE	_____

PACKAGE MATERIAL	EPOXY RESIN
LEAD TREATMENT	SOLDER PLATING
LEAD MATERIAL	COPPER ALLOY
PACKAGE MASS	0.02g

AP-4000-20020S Rev.0

LEAD PLATING SPECIFICATIONS

ITEM	SPEC.
LEAD MATERIAL	COPPER ALLOY
SOLDER COMPOSITION	Sn-Bi Bi:1-4wt%
PLATING THICKNESS	5-18μm