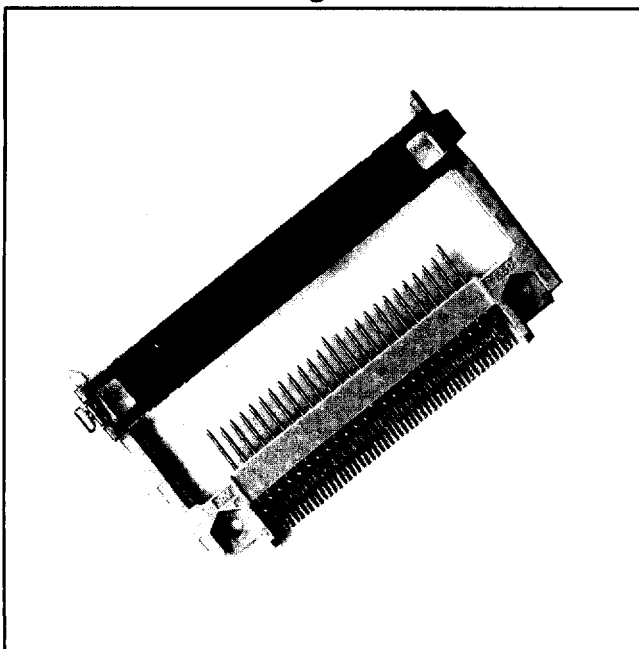


.050" × .050" CF Card Low Profile Header

Surface Mount, Long Guides



- Low profile — 4.0 mm height
- Board component clearance — 0.0 mm standoff
- Cost savings — eliminates need for molded guide rails in equipment
- Single row solder tails — 0.635 mm spacing
- Meets CFA standards — known reliability

TS-0765-01
Sheet 1 of 3

5

Physical

Insulation

Material: Liquid Crystal Polyester (LCP)
Flammability: UL 94V-0
Color: Beige

Contact

Material: Copper Alloy
Plating
Underplate: 100 μ " [2.54 μ m] Nickel — QQ-N-290, Class 2
Wiping Area: Gold Flash over 20 μ " [0.50 μ m] 80/20 Palladium Nickel
Solder Tails: 50 μ " [1.27 μ m] 85/15 Tin Lead — MIL-P-81728

Electrical

Current Rating: .5 A
Insulation Resistance: $>1 \times 10^9 \Omega$ at 500 Vdc
 $>1 \times 10^8 \Omega$ at 500 Vdc after Environmental Conditioning
Withstanding Voltage: 500 Vrms at Sea Level

Environmental

Temperature Rating: -55°C to $+85^\circ\text{C}$
Process Rating: Maximum 235°C , with 90 seconds over 215°C

www.DataSheet4U.com

3M Electronic Products Division

<http://www.3M.com/interconnects/>

12

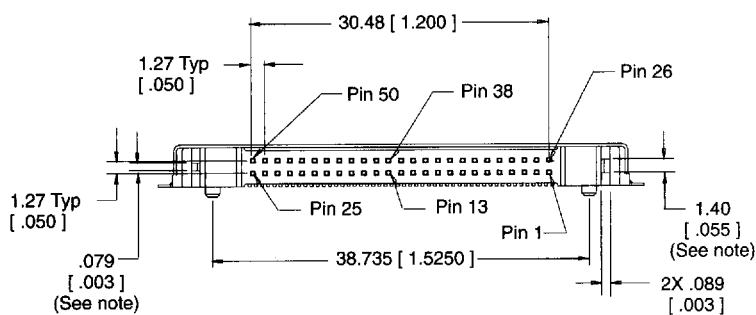
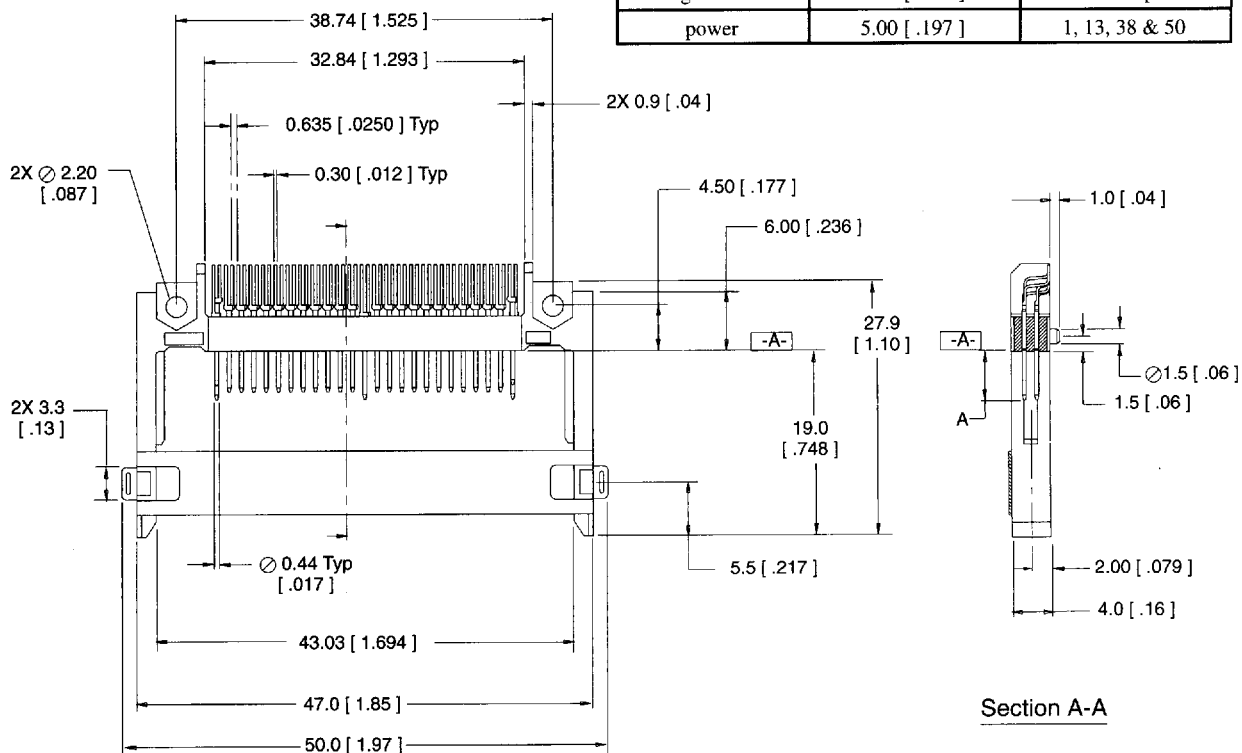
For technical, sales or ordering information call
800-225-5373

D 19F ■ 9035312 0004210 328 ■

.050" × .050" CF Card Low Profile Header

Surface Mount, Long Guides

Pin Type	Interface Dim A	Pin No.
detect	3.50 [.138]	25, 26
general	4.25 [.167]	all other pins
power	5.00 [.197]	1, 13, 38 & 50



Section A-A

mm [Inch]		
Tolerance Unless Noted		
	.0	.00
	.00	.000
mm	±.3	±.13

[] Dimensions for Reference only

Note: Inverse style is shown. For normal style, rotate polarization keys and pin call outs 180°.

Ordering Information

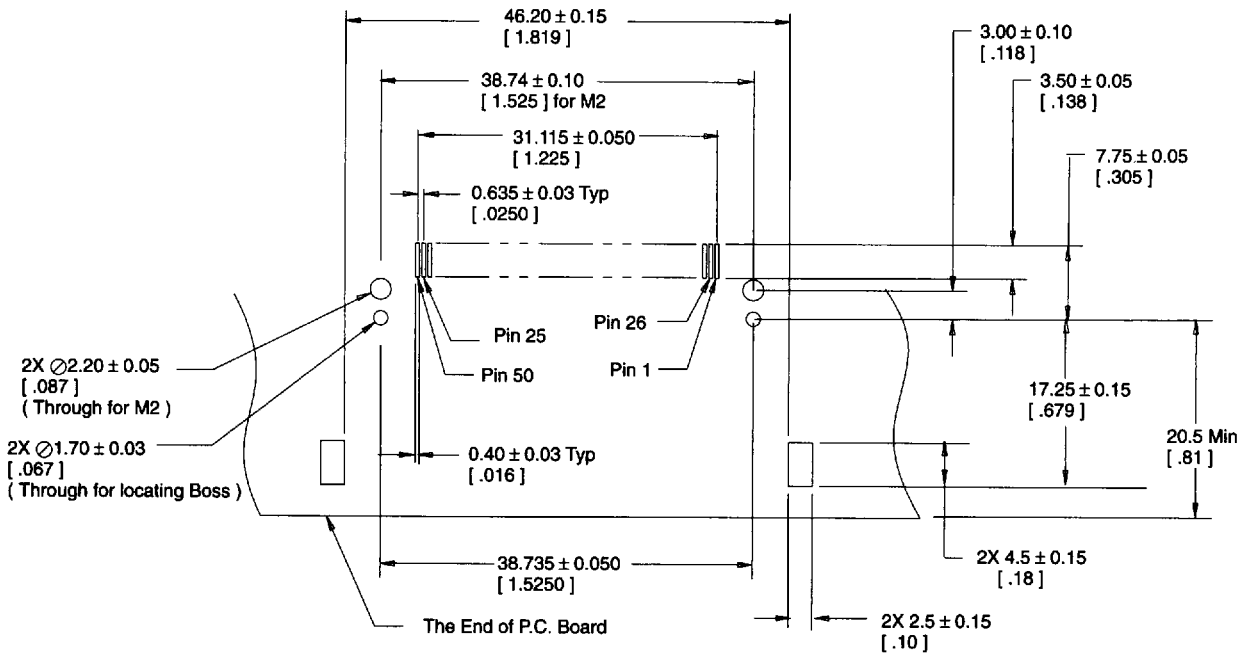
N7E50-X516VY-30

Options: CF Card Polarization / Solder Tabs / Ejector:
F = Inverse / with solder tab / ejector not acceptable

TS-0765-01
Sheet 2 of 3

.050" × .050" CF Card Low Profile Header

Surface Mount, Long Guides



The Direction of Inserting Card

Recommended PCB Solder Pad Pattern

TS-0765-01
Sheet 3 of 3

3M Electronic Products Division

<http://www.3M.com/interconnects/>

For technical, sales or ordering information call
800-225-5373