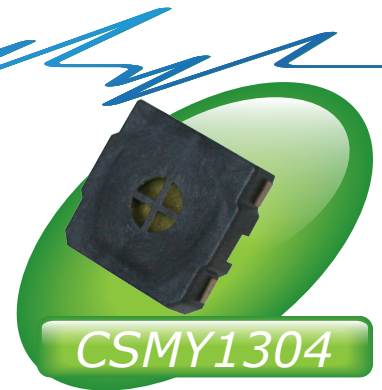
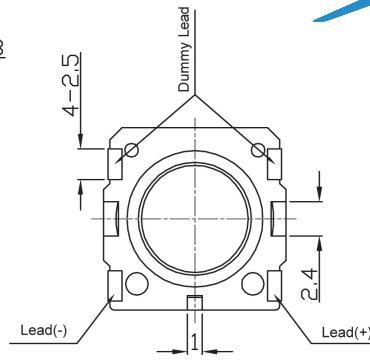
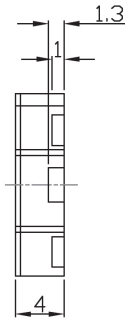
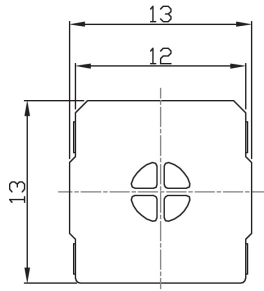
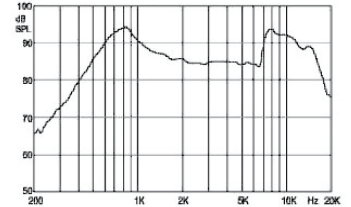


SMD Speaker

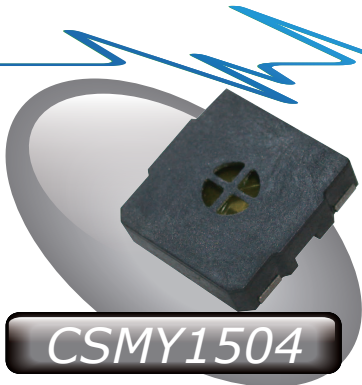


CSMY1304

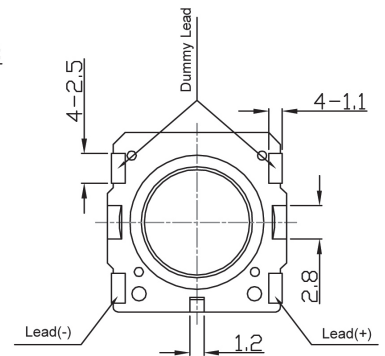
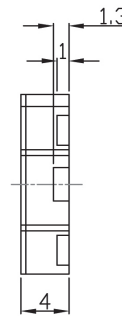
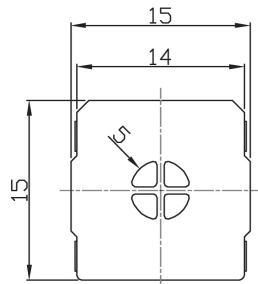
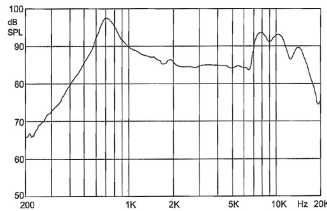


Canopus Part no.	Sound Output (dB)	AC Impedance (Ω)	Rated Power (W)	Max. Power (W)	Resonance Frequency (f ₀) (Hz)	Respose Frequency f ₀ ~ (Hz)	Housing	Terminal	Weight (g)
CSMY1304A085LQ	88 ± 3	8 ± 20%	0.7	1	850	850 ~ 20K	LCP	SMD	1.4

CANOPUS



CSMY1504



Canopus Part no.	Sound Output (dB)	AC Impedance (Ω)	Rated Power (W)	Max. Power (W)	Resonance Frequency (f ₀) (Hz)	Respose Frequency f ₀ ~ (Hz)	Housing	Terminal	Weight (g)
CSMY1504A080LQ	87 ± 3	8 ± 20%	0.5	0.8	800	800 ~ 20K	LCP	SMD	1.5

Your Efficient Supplier
www.canopus.com.hk

TEL.: (852) 2806 2812

Fax: (852) 2652 2216