

Am2952-52A/Am2953-53A

Eight-Bit Bidirectional I/O Ports with Handshake

Am2952-52A/Am2953-53A

DISTINCTIVE CHARACTERISTICS

- **Eight-Bit, Bidirectional I/O Port** – Two eight-bit, back-to-back registers store data moving in both directions between two bidirectional busses.
- **Separate Clock, Clock Enable and Three-State Output Enable for Each Register.**
- **24mA Output Current Sink Capability.**
- **Inverting and Non-Inverting Versions** – The Am2952 provides non-inverting data outputs. The Am2953 provides inverting data outputs.
- **24-pin Slim Package**
- **Fast** – The Am2952A and Am2953A will be 25–30% faster than the Am2952 and Am2953.

GENERAL DESCRIPTION

The Am2952 and Am2953, members of Advanced Micro Devices' Am2900 Family, are designed for use as parallel data I/O ports. Two eight-bit, back-to-back registers store data moving in both directions between two bidirectional, 3-state busses. On chip flag flip-flops, set automatically when a register is loaded, provide the handshaking signals required for demand-response data transfer.

Considerable flexibility is designed into the Am2952/Am2953. Separate Clock, Clock Enable and Three-State Output Enable signals are provided for each register, and

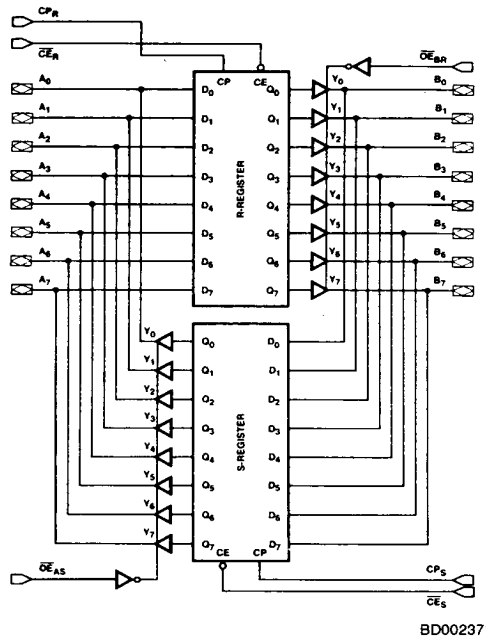
edge-sensitive clear inputs are provided for each flag flip-flop. A number of these circuits can be used for wider I/O ports. Both inverting and non-inverting versions are available.

24mA output current sink capability, sufficient for most three-state busses, is provided by the Am2952/Am2953.

The Am2952A and Am2953A feature AMD's ion-implanted micro-oxide (IMOX™) processing. They are plug-in replacements for the Am2952 and Am2953 respectively but will be approximately 30% faster.

5

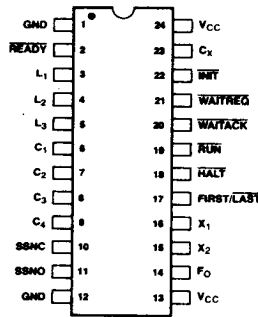
BLOCK DIAGRAM



Note: The Am2953 provides inverting data output

CONNECTION DIAGRAM Top View

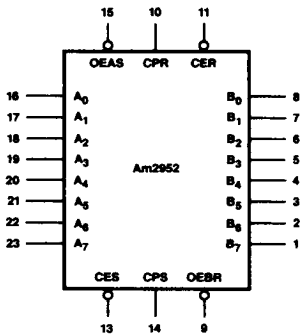
Am2952 D-24-SLIM



CD004820

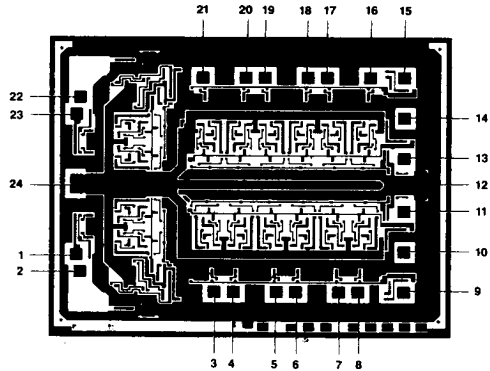
Note: Pin 1 is marked for orientation
B_i is inverted on Am2953

LOGIC SYMBOL Am2952



LS001140

METALLIZATION AND PAD LAYOUT

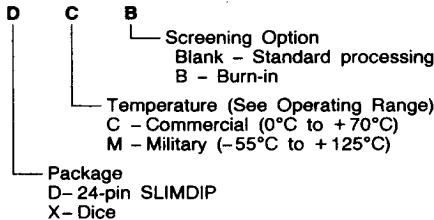


DIE SIZE 0.107" x 0.138"

ORDERING INFORMATION

AMD products are available in several packages and operating ranges. The order number is formed by a combination of the following: Device number, speed option (if applicable), package type, operating range and screening option (if desired).

Am2952/52A
Am2953/53A



Valid Combinations

Am2952/52A	DC, DCB, DMB
Am2953/53A	XC, XM

Valid Combinations

Consult the AMD sales office in your area to determine if a device is currently available in the combination you wish.

PIN DESCRIPTION

Pin No.	Name	I/O	Description
	A0-7	I/O	Eight bidirectional lines carrying the R Register inputs or S Register outputs.
	B0-7	I/O	Eight bidirectional lines carrying the S Register inputs or R Register outputs.
10	CPR	I	The clock for the R Register. When \overline{CER} is LOW, data is entered into the R Register on the LOW-to-HIGH transition of the CPR signal.
11	\overline{CER}	I	The Clock Enable for the R Register. When \overline{CER} is LOW, data is entered into the R Register on the LOW-to-HIGH transition of the CPR signal. When \overline{CER} is HIGH, the R Register holds its contents, regardless of CPR signal transitions.
9	\overline{OEBR}	I	The Output Enable for the R Register. When \overline{OEBR} is LOW, the R Register three-state outputs are enabled onto the B0-7 lines. When \overline{OEBR} is HIGH, the R Register outputs are in the high-impedance state.
14	CPS	I	The clock for the S Register. When \overline{CES} is LOW, data is entered into the S Register on the LOW-to-HIGH transition of the CPS signal.
13	\overline{CES}	I	The clock enable for the S Register. When \overline{CES} is LOW, data is entered into the S Register on the LOW-to-HIGH transition of the CPS signal. When \overline{CES} is HIGH, the S Register holds its contents, regardless of CPS signal transitions.
15	\overline{OEAS}	I	The output enable for the S Register. When \overline{OEAS} is LOW, the S Register three-state outputs are enabled onto the A0-7 lines. When \overline{OEAS} is HIGH, the S Register outputs are in the high-impedance state.

REGISTER FUNCTION TABLE
(Applies to R or S Register)

Inputs			Internal Q	Function
D	CP	\overline{CE}		
X	X	H	NC	Hold Data
L	1	L	L	Load Data
H	1	L	H	

OUTPUT CONTROL

\overline{OE}	Internal Q	Y-Outputs		Function
		Am2950	Am2951	
H	X	Z	Z	Disable Outputs
L	L	L	H	Enable Outputs
L	H	H	L	

5

ABSOLUTE MAXIMUM RATINGS

Storage Temperature	-65°C to +150°C
Ambient Temperature Under Bias	-55°C to +125°C
Supply Voltage to Ground Potential	
Continuous	-0.5V to +7.0V
DC Voltage Applied to Outputs For	
High Output State	-0.5V to +V _{CC} max
DC Input Voltage	-0.5V to +5.5V
DC Output Current, Into Outputs	30mA
DC Input Current	-30mA to +5.0mA

Stresses above those listed under ABSOLUTE MAXIMUM RATINGS may cause permanent device failure. Functionality at or above these limits is not implied. Exposure to absolute maximum ratings for extended periods may affect device reliability.

OPERATING RANGES**Commercial (C) Devices**

Temperature	0°C to +70°C
Supply Voltage	+4.75V to +5.25V

Military (M) Devices

Temperature	-55°C to +125°C
Supply Voltage	+4.5V to +5.5V

Operating ranges define those limits over which the functionality of the device is guaranteed.

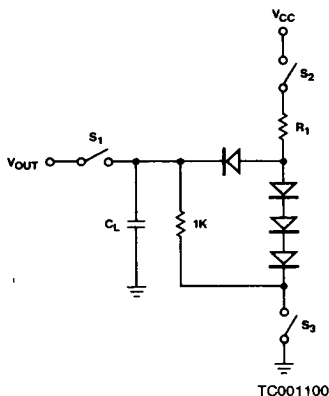
DC CHARACTERISTICS over operating range unless otherwise specified

Parameters	Description	Test Conditions (Note 1)		Typ (Note 2)			Units
				Min	Max		
V _{OH}	Output HIGH Voltage	V _{CC} = MIN V _{IN} = V _{IH} or V _{IL}	A ₀₋₇ , B ₀₋₇	MIL, I _{OH} = -2mA	2.4	3.4	Volts
				COM'L, I _{OL} = -6.5mA	2.4	3.4	
V _{OL}	Output LOW Voltage	V _{CC} = MIN V _{IN} = V _{IH} or V _{IL}	A ₀₋₇ , B ₀₋₇	MIL, I _{OL} = 16mA		0.5	Volts
				COM'L, I _{OL} = 24mA		0.5	
V _{IH}	Input HIGH Level	Guaranteed input logical HIGH voltage for all inputs			2.0		Volts
V _{IL}	Input LOW Level	Guaranteed input logical LOW voltage for all inputs				0.8	Volts
V _I	Input Clamp Voltage	V _{CC} = MIN, I _{IN} = -18mA				-1.5	Volts
I _{IL}	Input LOW Current	V _{CC} = MAX, V _{IN} = 0.5V	A ₀₋₇ , B ₀₋₇ Others			-250	μA
						-360	
I _{IH}	Input HIGH Current	V _{CC} = MAX, V _{IN} = 2.7V	A ₀₋₇ , B ₀₋₇ Others			70	μA
						20	
I _I	Input HIGH Current	V _{CC} = MAX, V _{IN} = 5.5V				1.0	mA
I _o	Output Off-state Leakage Current	V _{CC} = MAX	A ₀₋₇ , B ₀₋₇	V _O = 2.4V		70	μA
				V _O = 0.4V		-250	
I _{SC}	Output Short Circuit Current (Note 3)	V _{CC} = MAX			-30	-85	mA
I _{CC}	Power Supply Current (Notes 4, 5)	V _{CC} = MAX	COM'L	T _A = 0 to +70°C		275	mA
				T _A = +70°C		228	
				T _C = -55 to +125°C		309	
				T _C = +125°C		202	

- Notes: 1. For conditions shown as MIN or MAX, use the appropriate value specified under Operating Ranges for the applicable device type.
 2. Typical limits are at V_{CC} = 5.0V, 25°C ambient and maximum loading.
 3. Not more than one output should be shorted at a time. Duration of the short circuit test should not exceed one second.
 4. I_{CC} is measured with all inputs at 4.5V and all outputs open.
 5. Worst case I_{CC} is at minimum temperature.

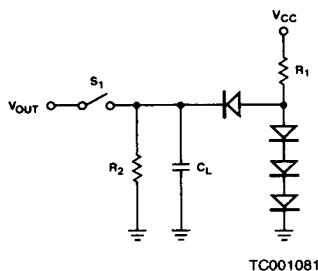
SWITCHING TEST CIRCUIT

A. THREE-STATE OUTPUTS



$$R_1 = \frac{5.0 - V_{BE} - V_{OL}}{I_{OL} + V_{OL}} \times 1K$$

B. NORMAL OUTPUTS



$$R_2 = \frac{2.4V}{I_{OH}}$$

$$R_1 = \frac{5.0 - V_{BE} - V_{OL}}{I_{OL} + V_{OL}} \times R_2$$

- Notes:
1. $C_L = 50pF$ includes scope probe, wiring and stray capacitances without device in test fixture.
 2. S_1, S_2, S_3 are closed during function tests and all AC tests except output enable tests.
 3. S_1 and S_3 are closed while S_2 is open for t_{pZH} test.
 S_1 and S_2 are closed while S_3 is open for t_{pZL} test.
 4. $C_L = 5.0pF$ for output disable tests.

TEST OUTPUT LOADS FOR Am2952/2953

Pin# (DIP)	Pin Label	Test Circuit	R ₁	R ₂
16-23	A ₀₋₇	A	220	1K
1-8	B ₀₋₇	A	220	1K

For additional information on testing, see section "Guidelines on Testing Am2900 Family Devices."

Notes on Testing

Incoming test procedures on this device should be carefully planned, taking into account the high complexity and power levels of the part. The following notes may be useful:

1. Insure the part is adequately decoupled at the test head. Large changes in V_{CC} current when the device switches may cause erroneous function failures due to V_{CC} changes.
2. Do not leave inputs floating during any tests, as they may start to oscillate at high frequency.
3. Do not attempt to perform threshold tests at high speed. Following an input transition, ground current may change by as much as 400mA in 5-8ns. Inductance in the ground

cable may allow the ground pin at the device to rise by 100s of millivolts momentarily.

4. Use extreme care in defining input levels for AC tests. Many inputs may be changed at once, so there will be significant noise at the device pins and they may not actually reach V_{IL} or V_{IH} until the noise has settled. AMD recommends using $V_{IL} \leq 0V$ and $V_{IH} \geq 3.0V$ for AC tests.
5. To simplify failure analysis, programs should be designed to perform DC, Function, and AC tests as three distinct groups of tests.
6. To assist in testing, AMD offers complete documentation on our test procedures and, in most cases, can provide Fairchild Sentry programs, under license.

Am2952A/Am2953A SWITCHING CHARACTERISTICS

The tables below define the Am2952/Am2953A switching characteristics. Tables A are set-up and hold times relative to a clock LOW-to-HIGH transition. Tables B are propagational delays. Tables C are pulse-width requirements. Tables D are enable/disable times. All measurements are made at 1.5V with input levels at 0V or 3V. All values are in ns with R_L on A_i and $B_i = 220\Omega$ and R_L on FS and FR = 300Ω . $C_L = 50pF$ except output disable times which are specified at $C_L = 5pF$.

GUARANTEED CHARACTERISTICS OVER COMMERCIAL OPERATING RANGE

($T_A = 0$ to $+70^\circ C$, $V_{CC} = 4.75$ to $5.25V$, $C_L = 50pF$)

A. Set-up and Hold Times

Input	With Respect To	t_s	t_h
A ₀₋₇	CPR		
B ₀₋₇	CPS		
\overline{CES}	CPS		
\overline{CER}	CPR		

B. Propagation Delays

Input	A ₀₋₇	B ₀₋₇
CPS		
CPR		

C. Pulse-Width Requirements

Input	Min LOW Pulse Width	Min HIGH Pulse Width
CPS		
CPR		

D. Enable/Disable Times

From	To	Disable	Enable
\overline{OEAS}	A ₀₋₇		
\overline{OEBR}	B ₀₋₇		

GUARANTEED CHARACTERISTICS OVER COMMERCIAL OPERATING RANGE

($T_C = -55$ to $+125^\circ C$, $V_{CC} = 4.5$ to $5.5V$, $C_L = 50pF$)

A. Set-up and Hold Times.

Input	With Respect To	t_s	t_h
A ₀₋₇	CPR		
B ₀₋₇	CPS		
\overline{CES}	CPS		
\overline{CER}	CPR		

B. Propagation Delays

Input	A ₀₋₇	B ₀₋₇
CPS		
CPR		

C. Pulse-Width Requirements

Input	Min LOW Pulse Width	Min HIGH Pulse Width
CPS		
CPR		

D. Enable/Disable Times

From	To	Disable	Enable
\overline{OEAS}	A ₀₋₇		
\overline{OEBR}	B ₀₋₇		


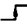


Am2952/Am2953 SWITCHING CHARACTERISTICS

The tables below define the Am2952/Am2953 switching characteristics. Tables A are set-up and hold times relative to a clock LOW-to-HIGH transition. Tables B are propagational delays. Tables C are pulse-width requirements. Tables D are enable/disable times. All measurements are made at 1.5V with input levels at 0V or 3V. All values are in ns with R_L on A_i and $B_i = 220\Omega$ and R_L on FS and FR = 300 Ω . $C_L = 50pF$ except output disable times which are specified at $C_L = 5pF$.


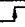
GUARANTEED CHARACTERISTICS OVER COMMERCIAL OPERATING RANGE

($T_A = 0$ to $+70^\circ\text{C}$, $V_{CC} = 4.75$ to 5.25V , $C_L = 50pF$)

A. Set-up and Hold Times

Input	With Respect To	t_s	t_h
A_{0-7} 	CPR	7	5
B_{0-7} 	CPS	7	5
\overline{CES} 	CPS	*19/15	4
\overline{CER} 	CPR	*19/15	4

B. Propagation Delays

Input	A_{0-7}	B_{0-7}
CPS 	*30/26	-
CPR 	-	*30/26

C. Pulse-Width Requirements

Input	Min LOW Pulse Width	Min HIGH Pulse Width
CPS	20	20
CPR	20	20

D. Enable/Disable Times


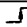


From	To	Disable	Enable
\overline{OEAS}	A_{0-7}	22	27
\overline{OEBR}	B_{0-7}	22	27

*Where two numbers appear, the first is the Am2952 spec, the second is the Am2953 spec.

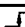

GUARANTEED CHARACTERISTICS OVER MILITARY OPERATING RANGE

($T_C = -55$ to $+125^\circ\text{C}$, $V_{CC} = 4.5$ to 5.5V , $C_L = 50pF$)

A. Set-up and Hold Times

Input	With Respect To	t_s	t_h
A_{0-7} 	CPR	11	8
B_{0-7} 	CPS	11	8
\overline{CES} 	CPS	*20/15	4
\overline{CER} 	CPR	*20/15	4

B. Propagation Delays

Input	A_{0-7}	B_{0-7}
CPS 	*35/28	-
CPR 	-	*35/28

C. Pulse-Width Requirements

Input	Min LOW Pulse Width	Min HIGH Pulse Width
CPS	20	20
CPR	20	20

D. Enable/Disable Times

From	To	Disable	Enable
\overline{OEAS}	A_{0-7}	24	28
\overline{OEBR}	B_{0-7}	24	28

*Where two numbers appear, the first is the Am2952 spec, the second is the Am2953 spec.

Am2954/Am2955

Octal Registers with Three-State Outputs

DISTINCTIVE CHARACTERISTICS

- Eight-bit, high-speed parallel registers
- Am2954 has non-inverting inputs; Am2955 has inverting inputs
- Positive, edge-triggered, D-type flip-flops
- Buffered common clock and buffered common three-state control
- $V_{OL} = 0.5V$ (max) at $I_{OL} = 32mA$
- High-speed — Clock to output 11 ns typical

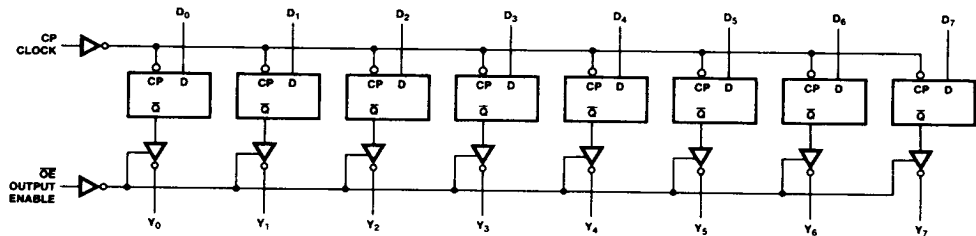
GENERAL DESCRIPTION

The Am2954 and Am2955 are 8-bit registers built using high-speed Schottky technology. The registers consist of eight D-type flip-flops with a buffered common clock and a buffered 3-state output control. When the output enable (\overline{OE}) input is LOW, the eight outputs are enabled. When the \overline{OE} input is HIGH, the outputs are in the 3-state condition.

Input data meeting the set-up and hold time requirements of the D inputs is transferred to the Y outputs on the LOW-to-HIGH transition of the clock input.

The devices are packaged in a space-saving (0.3-inch row spacing) 20-pin package.

BLOCK DIAGRAM



BD002440

Inputs D_0 through D_7 are inverted on the Am2955.

RELATED PRODUCTS

Part No.	Description
Am29821-26	8, 9, 10-Bit Registers
Am2918	Quad D-Register
Am2920	Quad D-Type Flip-Flop

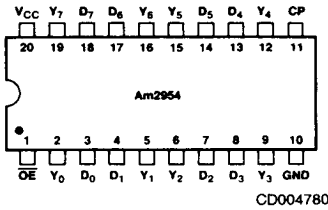
03603B

5-326

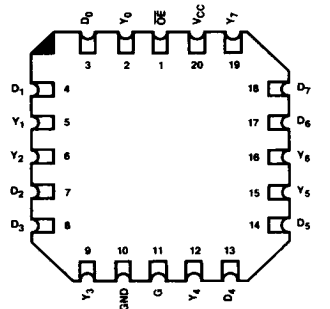
Refer to Page 13-1 for Essential Information on Military Devices

**CONNECTION DIAGRAM
Top View**

**D-20,
P-20,
F-20***



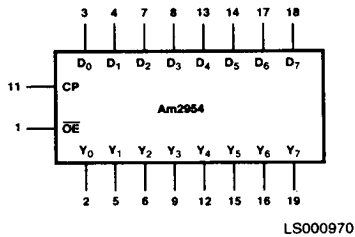
L-20-1



Note: Pin 1 is marked for orientation

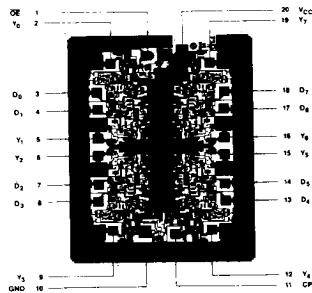
*F-20 pin configuration identical to D-20, P-20.

LOGIC SYMBOL



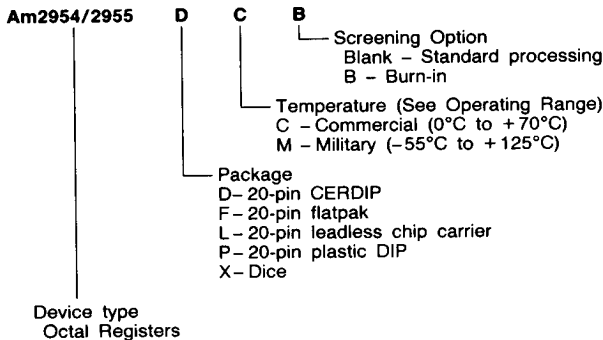
Note: Inputs D₀ through D₇ are inverted on the Am2955

**METALLIZATION AND PAD LAYOUT
Am2954**



ORDERING INFORMATION

AMD products are available in several packages and operating ranges. The order number is formed by a combination of the following: Device number, speed option (if applicable), package type, operating range and screening option (if desired).



Valid Combinations	
Am2954	PC
Am2955	DC, DCB, DM, DMB
	FM, FMB
	LC, LCB, LM, LMB
	XC, XM

Valid Combinations

Consult the AMD sales office in your area to determine if a device is currently available in the combination you wish.

PIN DESCRIPTION

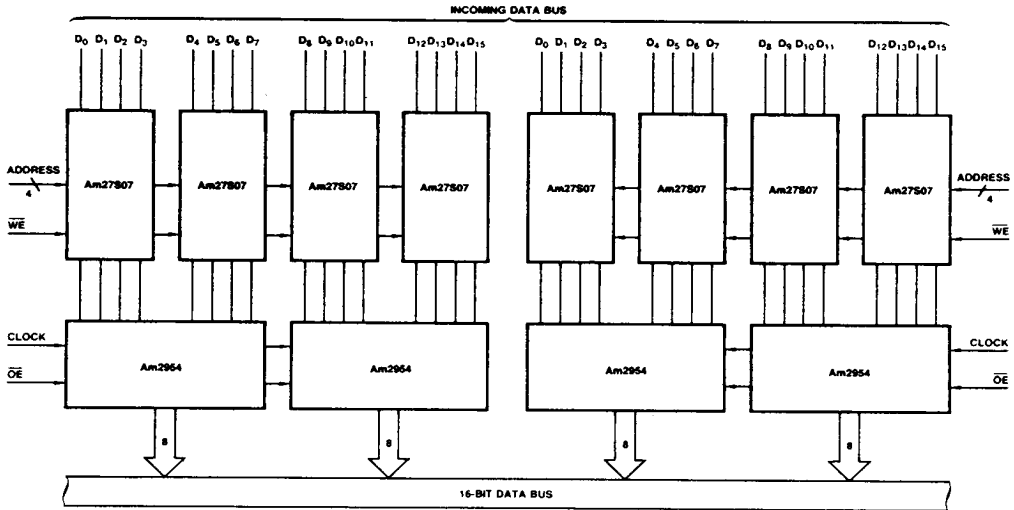
Pin No.	Name	I/O	Description
	D_i/\bar{D}_i	I	The D flip-flop data inputs (Am2954, non-inverting/Am2955, inverting).
11	CP	I	Clock Pulse for the register. Enters data on the LOW-to-HIGH transition.
	Y_i	O	The register three-state outputs.
1	$\bar{O}E$	I	Output Control. An active-LOW three-state control used to enable the outputs. A HIGH level input forces the outputs to the high impedance (off) state.

FUNCTION TABLE

Function	Inputs				Internal	Outputs
	$\bar{O}E$	Clock	Am2954 D_i	Am2955 D_i	Q_i	Y_i
H_i-Z	H	L	X	X	NC	Z
	H	H	X	X	NC	Z
LOAD REGISTER	L	↑	L	H	L	L
	L	↑	H	L	H	H
	H	↑	L	H	L	Z
	H	↑	H	L	H	Z

H = HIGH
 L = LOW
 X = Don't Care
 NC = No Change
 Z = High Impedance
 ↑ = LOW-to-HIGH transition

APPLICATION



AF001870

Dual 16-word by 16-bit non-inverting high-speed data buffer.

ABSOLUTE MAXIMUM RATINGS

Storage Temperature	-65°C to +150°C
Ambient Temperature Under Bias	-55°C to +125°C
Supply Voltage to Ground Potential (Pin 16 to Pin 8) Continuous	-0.5V to +7.0V
DC Voltage Applied to Outputs For High Output State	-0.5V to +V _{CC} max
DC Input Voltage	-0.5V to +5.5V
DC Output Current, Into Outputs	30mA
DC Input Current	-30 to +5.0mA

Stresses above those listed under ABSOLUTE MAXIMUM RATINGS may cause permanent device failure. Functionality at or above these limits is not implied. Exposure to absolute maximum ratings for extended periods may affect device reliability.

OPERATING RANGES

Commercial (C) Devices	Temperature	0°C to +70°C
	Supply Voltage	+4.75V to +5.25V
Military (M) Devices	Temperature	-55°C to +125°C
	Supply Voltage	+4.5V to +5.5V

Operating ranges define those limits over which the functionality of the device is guaranteed.

DC CHARACTERISTICS over operating range unless otherwise specified

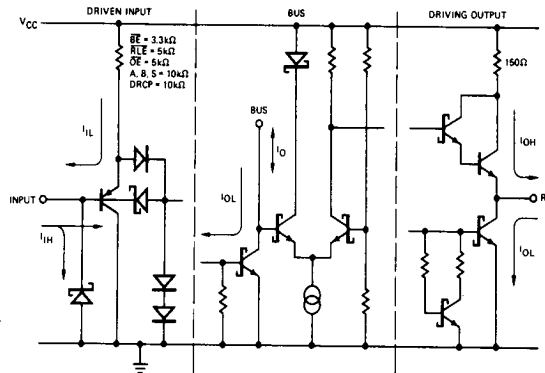
Parameters	Description	Test Conditions (Note 1)	Min	Typ (Note 2)	Max	Units
V _{OH}	Output HIGH Voltage	V _{CC} = MIN V _{IN} = V _{IH} or V _{IL}	M _L , I _{OH} = -2.0mA	2.4	3.4	Volts
			COM'L, I _{OH} = -6.5mA	2.4	3.1	
V _{OL}	Output LOW Voltage	V _{CC} = MIN V _{IN} = V _{IH} or V _{IL}	I _{OL} = 20mA		.45	Volts
			I _{OL} = 32mA		.5	
V _{IN}	Input HIGH Level	Guaranteed input logical HIGH voltage for all inputs	2.0			Volts
V _{IL}	Input LOW Level	Guaranteed input logical LOW voltage for all inputs			0.8	Volts
V _I	Input Clamp Voltage	V _{CC} = MIN, I _{IN} = -18mA			-1.2	Volts
I _{IL}	Input LOW Current	V _{CC} = MAX, V _{IN} = 0.5V			-250	μA
I _{IN}	Input HIGH Current	V _{CC} = MAX, V _{IN} = 2.7V			50	μA
I _I	Input HIGH Current	V _{CC} = MAX, V _{IN} = 5.5V			1.0	mA
I _{OZ}	Off-State (High-Impedance) Output Current	V _{CC} = MAX	V _O = 0.5V		-50	μA
			V _O = 2.4V		50	
I _{SC}	Output Short Circuit Current (Note 3)	V _{CC} = MAX	-40		-100	mA
I _{CC}	Power Supply Current (Note 4)	V _{CC} = MAX		90	140	mA

- Notes: 1. For conditions shown as MIN or MAX use the appropriate value specified under Operating Ranges for the applicable device type.
 2. Typical limits are at V_{CC} = 5.0V, 25°C ambient and maximum loading.
 3. Not more than one output should be shorted at a time. Duration of the short circuit test should not exceed one second.
 4. Am2954 measured at CLK = LOW-to-HIGH, OE = HIGH and all data inputs are LOW.
 Am2955 measured at CLK = LOW-to-HIGH, OE = HIGH, and all data inputs are LOW.

SWITCHING CHARACTERISTICS ($T_A = +25^\circ\text{C}$, $V_{CC} = 5.0\text{V}$)

Parameters	Description	Test Conditions	Am2954 / Am2955			Units
			Min	Typ	Max	
t_{PLH}	Clock to Output, Y_i	$C_L = 15\text{pF}$ $R_L = 280\Omega$		8	15	ns
t_{PHL}				11	17	ns
t_{ZH}				8	15	ns
t_{ZL}				11	18	ns
t_{HZ}	\overline{OE} to Y_i	$C_L = 5\text{pF}$ $R_L = 280\Omega$		5	9	ns
t_{LZ}				7	12	ns
t_{pw}	Clock Pulse Width	HIGH		6		ns
		LOW		7.3		ns
t_S	Data to Clock	$C_L = 15\text{pF}$ $R_L = 280\Omega$		5		ns
t_H				2		ns
f_{max}			Maximum Clock Frequency (Note 1)		75	100

Note: 1. Per industry convention, f_{max} is the worst case value of the maximum device operating frequency with no constraints on t_r , t_f , pulse width or duty cycle.

INPUT/OUTPUT CURRENT INTERFACE CONDITIONS


IC000390

Note: Actual current flow direction shown.