

# High Performance Terminations - 2.9 mm

## 2.9 mm Series

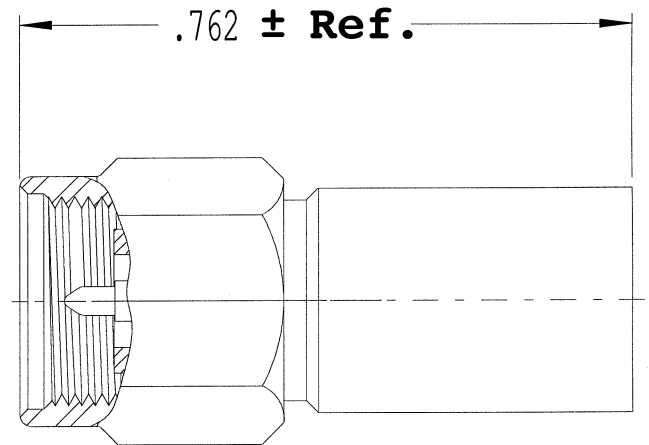
V2.00

### Features

- Excellent Broad Band Performance to 40 GHz
- Low VSWR Across Band
- Small Size
- Available in 2.9mm Jack

### Description

A high performance termination utilizing a 2.9mm (K) Connector which is designed for DC to 40 GHz. Precision machined parts assembled and 100% RF tested using broadband Network Analyzer techniques. Interface will mate with both SMA and 3.5mm connectors non-destructively if desired.



2.9mm K Connector

### Ordering Information

Part Number	Avg. Power (Watts)	Freq. Range (GHz)	VSWR Max. (f) in GHz
4801-6119-02	1	DC to 40	1.05 + .01(f)