



CYPRESS **PRELIMINARY**

CY7C1481V33  
CY7C1483V33  
CY7C1487V33

## 2M x 36/4M x 18/1M x 72 Flow-through SRAM

### Features

- Supports 133-MHz bus operations
- 2M x 36/4M x 18/1M x 72 common I/O
- Fast clock-to-output times
  - 5.5 ns (for 150-MHz device)
  - 6.5 ns (for 133-MHz device)
  - 7.5 ns (for 117-MHz device)
  - 8.5 ns (for 100-MHz device)
- Single 3.3V  $-5\%$  and  $+5\%$  power supply  $V_{DD}$
- Separate  $V_{DDQ}$  for 3.3V or 2.5V
- Byte Write Enable and Global Write control
- Burst Capability—linear or interleaved burst order
- Automatic power-down available using ZZ mode or CE deselect
- JTAG boundary scan for BGA packaging version
- Available in 119-ball bump BGA and 100-pin TQFP packages (CY7C1481V33 and CY7C1483V33). 209 BGA package for CY7C1487V33
- 165-ball FBGA and 209-ball BGA will only be offered on an opportunity basis (check with Cypress sales and marketing)

### Functional Description

The Cypress Synchronous Burst SRAM family employs high-speed, low power CMOS designs using advanced single-layer polysilicon, triple-layer metal technology. Each memory cell consists of six transistors.

The CY7C1481V33/CY7C1483V33/CY7C1487V33 SRAMs integrate 2,097,152 x 36 / 4,194,304 x 18 and 1,048,576 x 72

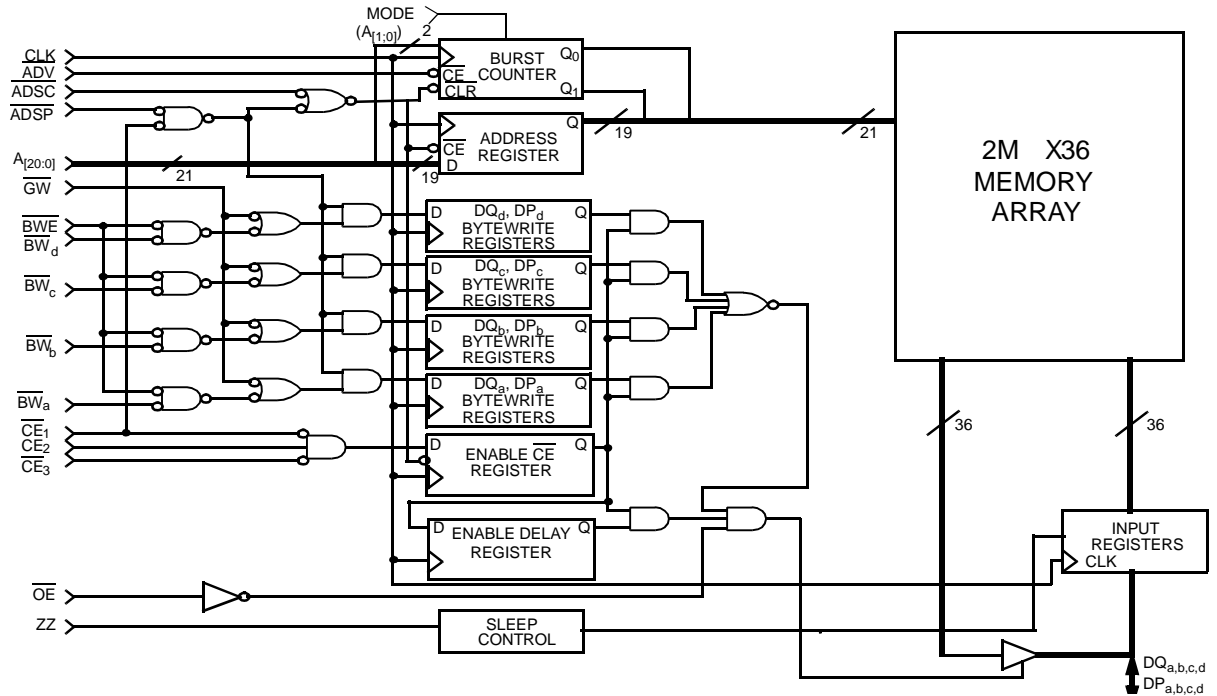
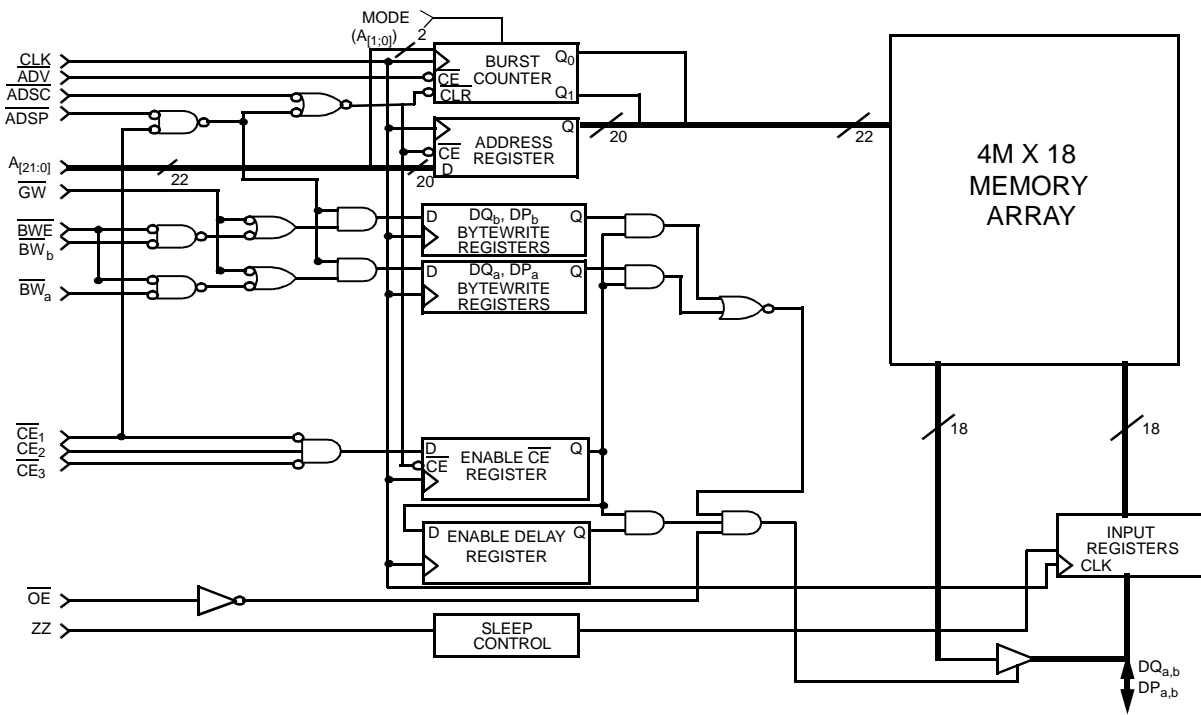
SRAM cells with advanced synchronous peripheral circuitry and a 2-bit counter for internal burst operation. All synchronous inputs are gated by registers controlled by a positive-edge-triggered clock input (CLK). The synchronous inputs include all addresses, all data inputs, address-pipelining Chip Enable (CE), Burst Control Inputs (ADSC, ADSP, and ADV), Write Enables ( $BW_a$ ,  $BW_b$ ,  $BW_c$ ,  $BW_d$ ,  $BW_e$ ,  $BW_f$ ,  $BW_g$  and  $BW_h$ , BWE), and Global Write (GW).

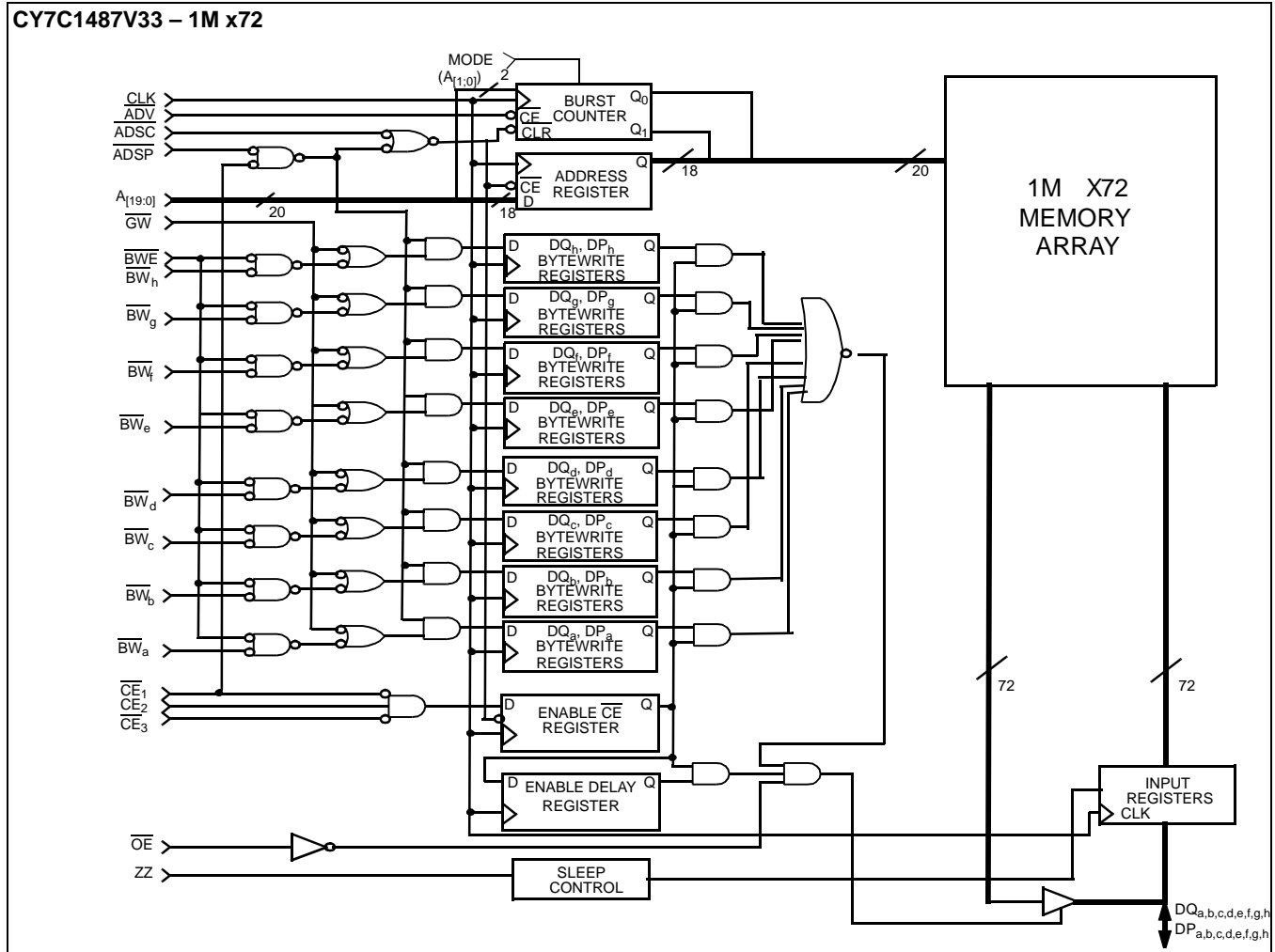
Asynchronous inputs include the Output Enable ( $\overline{OE}$ ) and Burst Mode Control (MODE). The data outputs (Q), enabled by  $\overline{OE}$ , are also asynchronous.

Addresses and chip enables are registered with either Address Status Processor (ADSP) or address status controller (ADSC) input pins. Subsequent burst addresses can be internally generated as controlled by the Burst Advance Pin (ADV).

Address, data inputs, and write controls are registered on-chip to initiate self-timed WRITE cycle. WRITE cycles can be one to four bytes wide as controlled by the write control inputs. Individual byte write allows individual byte to be written.  $BW_a$  controls  $DQ_a$  and  $DP_a$ .  $BW_b$  controls  $DQ_b$  and  $DP_b$ .  $BW_c$  controls  $DQ_c$  and  $DP_c$ .  $BW_d$  controls  $DQ_d$  and  $DP_d$ .  $BW_e$  controls  $DQ_e$  and  $DP_e$ .  $BW_f$  controls  $DQ_f$  and  $DP_f$ .  $BW_g$  controls  $DQ_g$  and  $DP_g$ .  $BW_h$  controls  $DQ_h$  and  $DP_h$ .  $BW_a$ ,  $BW_b$ ,  $BW_c$ ,  $BW_d$ ,  $BW_e$ ,  $BW_f$ ,  $BW_g$ , and  $BW_h$  can be active only with BWE LOW. GW being LOW causes all bytes to be written. WRITE pass-through capability allows written data available at the output for the immediately next READ cycle. This device also incorporates pipelined enable circuit for easy depth expansion without penalizing system performance.

Inputs and outputs of the CY7C1481V33/CY7C1483V33/CY7C1487V33 are JEDEC-standard JESD8-5-compatible.

**Logic Block Diagrams**
**CY7C1481V33 – 2M x 36**

**CY7C1483V33 – 4M X 18**


**Logic Block Diagrams (continued)**

**Selection Guide**

	<b>CY7C1481V33-150 CY7C1483V33-150 CY7C1487V33-150</b>	<b>CY7C1481V33-133 CY7C1483V33-133 CY7C1487V33-133</b>	<b>CY7C1481V33-117 CY7C1483V33-117 CY7C1487V33-117</b>	<b>CY7C1481V33-100 CY7C1483V33-100 CY7C1487V33-100</b>	<b>Unit</b>
Maximum Access Time	5.5	6.5	7.5	8.5	ns
Maximum Operating Current	TBD	TBD	TBD	TBD	mA
Maximum CMOS Standby Current	TBD	TBD	TBD	TBD	mA

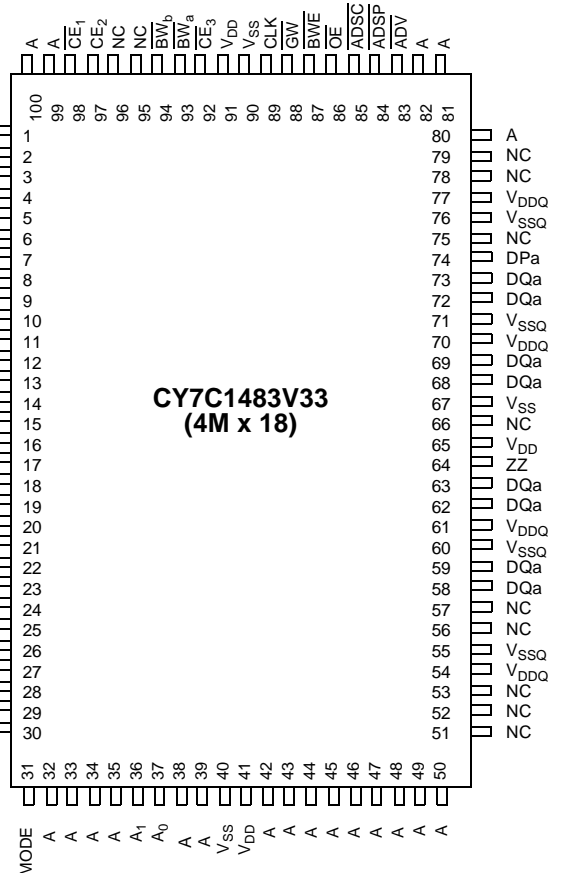
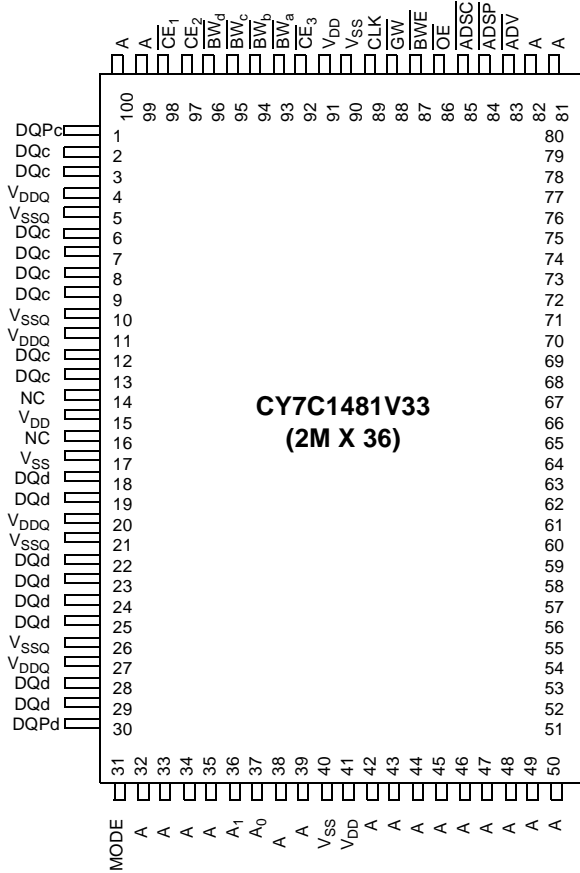


PRELIMINARY

CY7C1481V33  
CY7C1483V33  
CY7C1487V33

Pin Configurations

100-pin TQFP  
(Top View)





Pin Configurations (continued)

CY7C1481V33 (2M x 36)

	1	2	3	4	5	6	7
A	V <sub>DDQ</sub>	A	A	$\overline{\text{ADSP}}$	A	A	V <sub>DDQ</sub>
B	NC	A	A	$\overline{\text{ADSC}}$	A	A	NC
C	NC	A	A	V <sub>DD</sub>	A	A	NC
D	DQc	DQPc	V <sub>SS</sub>	NC	V <sub>SS</sub>	DQPb	DQb
E	DQc	DQc	V <sub>SS</sub>	$\overline{\text{CE}}_1$	V <sub>SS</sub>	DQb	DQb
F	V <sub>DDQ</sub>	DQc	V <sub>SS</sub>	$\overline{\text{OE}}$	V <sub>SS</sub>	DQb	V <sub>DDQ</sub>
G	DQc	DQc	$\overline{\text{BW}}_c$	$\overline{\text{ADV}}$	$\overline{\text{BW}}_b$	DQb	DQb
H	DQc	DQc	V <sub>SS</sub>	$\overline{\text{GW}}$	V <sub>SS</sub>	DQb	DQb
J	V <sub>DDQ</sub>	V <sub>DD</sub>	NC	V <sub>DD</sub>	NC	V <sub>DD</sub>	V <sub>DDQ</sub>
K	DQd	DQd	V <sub>SS</sub>	CLK	V <sub>SS</sub>	DQa	DQa
L	DQd	DQd	$\overline{\text{BW}}_d$	NC	$\overline{\text{BW}}_a$	DQa	DQa
M	V <sub>DDQ</sub>	DQd	V <sub>SS</sub>	$\overline{\text{BWE}}$	V <sub>SS</sub>	DQa	V <sub>DDQ</sub>
N	DQd	DQd	V <sub>SS</sub>	A1	V <sub>SS</sub>	DQa	DQa
P	DQd	DQPd	V <sub>SS</sub>	A0	V <sub>SS</sub>	DQPa	DQa
R	NC	A	MODE	V <sub>DD</sub>	NC	A	NC
T	NC	A	A	A	A	A	ZZ
U	V <sub>DDQ</sub>	TMS	TDI	TCK	TDO	NC	V <sub>DDQ</sub>

CY7C1483V33 (4M x 18)

	1	2	3	4	5	6	7
A	V <sub>DDQ</sub>	A	A	$\overline{\text{ADSP}}$	A	A	V <sub>DDQ</sub>
B	NC	A	A	$\overline{\text{ADSC}}$	A	A	NC
C	NC	A	A	V <sub>DD</sub>	A	A	NC
D	DQb	NC	V <sub>SS</sub>	NC	V <sub>SS</sub>	DQPa	NC
E	NC	DQb	V <sub>SS</sub>	$\overline{\text{CE}}_1$	V <sub>SS</sub>	NC	DQa
F	V <sub>DDQ</sub>	NC	V <sub>SS</sub>	$\overline{\text{OE}}$	V <sub>SS</sub>	DQa	V <sub>DDQ</sub>
G	NC	DQb	$\overline{\text{BW}}_b$	$\overline{\text{ADV}}$	V <sub>SS</sub>	NC	DQa
H	DQb	NC	V <sub>SS</sub>	$\overline{\text{GW}}$	V <sub>SS</sub>	DQa	NC
J	V <sub>DDQ</sub>	V <sub>DD</sub>	NC	V <sub>DD</sub>	NC	V <sub>DD</sub>	V <sub>DDQ</sub>
K	NC	DQb	V <sub>SS</sub>	CLK	V <sub>SS</sub>	NC	DQa
L	DQb	NC	V <sub>SS</sub>	NC	$\overline{\text{BW}}_a$	DQa	NC
M	V <sub>DDQ</sub>	DQb	V <sub>SS</sub>	$\overline{\text{BWE}}$	V <sub>SS</sub>	NC	V <sub>DDQ</sub>
N	DQb	NC	V <sub>SS</sub>	A1	V <sub>SS</sub>	DQa	NC
P	NC	DQPb	V <sub>SS</sub>	A0	V <sub>SS</sub>	NC	DQa
R	NC	A	MODE	V <sub>DD</sub>	NC	A	NC
T	A	A	A	A	A	A	ZZ
U	V <sub>DDQ</sub>	TMS	TDI	TCK	TDO	NC	V <sub>DDQ</sub>



Pin Configurations (continued)

**165-Ball Bump FBGA**  
**(This package is offered on opportunity basis)**  
**CY7C1481V33 (2M x 36) – 11 x 15 FBGA**

	1	2	3	4	5	6	7	8	9	10	11
<b>A</b>	NC	A	$\overline{CE}_1$	$\overline{BW}_c$	$\overline{BW}_b$	$\overline{CE}_3$	$\overline{BWE}$	$\overline{ADSC}$	$\overline{ADV}$	A	NC
<b>B</b>	NC	A	$CE_2$	$\overline{BW}_d$	$\overline{BW}_a$	CLK	$\overline{GW}$	$\overline{OE}$	$\overline{ADSP}$	A	144M
<b>C</b>	DPc	NC	$V_{DDQ}$	$V_{SS}$	$V_{SS}$	$V_{SS}$	$V_{SS}$	$V_{SS}$	$V_{DDQ}$	NC	DPb
<b>D</b>	DQc	DQc	$V_{DDQ}$	$V_{DD}$	$V_{SS}$	$V_{SS}$	$V_{SS}$	$V_{DD}$	$V_{DDQ}$	DQb	DQb
<b>E</b>	DQc	DQc	$V_{DDQ}$	$V_{DD}$	$V_{SS}$	$V_{SS}$	$V_{SS}$	$V_{DD}$	$V_{DDQ}$	DQb	DQb
<b>F</b>	DQc	DQc	$V_{DDQ}$	$V_{DD}$	$V_{SS}$	$V_{SS}$	$V_{SS}$	$V_{DD}$	$V_{DDQ}$	DQb	DQb
<b>G</b>	DQc	DQc	$V_{DDQ}$	$V_{DD}$	$V_{SS}$	$V_{SS}$	$V_{SS}$	$V_{DD}$	$V_{DDQ}$	DQb	DQb
<b>H</b>	NC	$V_{SS}$	NC	$V_{DD}$	$V_{SS}$	$V_{SS}$	$V_{SS}$	$V_{DD}$	NC	NC	ZZ
<b>J</b>	DQd	DQd	$V_{DDQ}$	$V_{DD}$	$V_{SS}$	$V_{SS}$	$V_{SS}$	$V_{DD}$	$V_{DDQ}$	DQa	DQa
<b>K</b>	DQd	DQd	$V_{DDQ}$	$V_{DD}$	$V_{SS}$	$V_{SS}$	$V_{SS}$	$V_{DD}$	$V_{DDQ}$	DQa	DQa
<b>L</b>	DQd	DQd	$V_{DDQ}$	$V_{DD}$	$V_{SS}$	$V_{SS}$	$V_{SS}$	$V_{DD}$	$V_{DDQ}$	DQa	DQa
<b>M</b>	DQd	DQd	$V_{DDQ}$	$V_{DD}$	$V_{SS}$	$V_{SS}$	$V_{SS}$	$V_{DD}$	$V_{DDQ}$	DQa	DQa
<b>N</b>	DPd	NC	$V_{DDQ}$	$V_{SS}$	NC	A	$V_{SS}$	$V_{SS}$	$V_{DDQ}$	NC	DPa
<b>P</b>	NC	A	A	A	TDI	A1	TDO	A	A	A	A
<b>R</b>	MODE	A	A	A	TMS	A0	TCK	A	A	A	A

**CY7C1483V33 (4M x 18) – 11 x 15 FBGA**

	1	2	3	4	5	6	7	8	9	10	11
<b>A</b>	NC	A	$\overline{CE}_1$	$\overline{BW}_b$	NC	$\overline{CE}_3$	$\overline{BWE}$	$\overline{ADSC}$	$\overline{ADV}$	A	A
<b>B</b>	NC	A	$CE_2$	NC	$\overline{BW}_a$	CLK	$\overline{GW}$	$\overline{OE}$	$\overline{ADSP}$	A	144M
<b>C</b>	NC	NC	$V_{DDQ}$	$V_{SS}$	$V_{SS}$	$V_{SS}$	$V_{SS}$	$V_{SS}$	$V_{DDQ}$	NC	DPa
<b>D</b>	NC	DQb	$V_{DDQ}$	$V_{DD}$	$V_{SS}$	$V_{SS}$	$V_{SS}$	$V_{DD}$	$V_{DDQ}$	NC	DQa
<b>E</b>	NC	DQb	$V_{DDQ}$	$V_{DD}$	$V_{SS}$	$V_{SS}$	$V_{SS}$	$V_{DD}$	$V_{DDQ}$	NC	DQa
<b>F</b>	NC	DQb	$V_{DDQ}$	$V_{DD}$	$V_{SS}$	$V_{SS}$	$V_{SS}$	$V_{DD}$	$V_{DDQ}$	NC	DQa
<b>G</b>	NC	DQb	$V_{DDQ}$	$V_{DD}$	$V_{SS}$	$V_{SS}$	$V_{SS}$	$V_{DD}$	$V_{DDQ}$	NC	DQa
<b>H</b>	NC	$V_{SS}$	NC	$V_{DD}$	$V_{SS}$	$V_{SS}$	$V_{SS}$	$V_{DD}$	NC	NC	ZZ
<b>J</b>	DQb	NC	$V_{DDQ}$	$V_{DD}$	$V_{SS}$	$V_{SS}$	$V_{SS}$	$V_{DD}$	$V_{DDQ}$	DQa	NC
<b>K</b>	DQb	NC	$V_{DDQ}$	$V_{DD}$	$V_{SS}$	$V_{SS}$	$V_{SS}$	$V_{DD}$	$V_{DDQ}$	DQa	NC
<b>L</b>	DQb	NC	$V_{DDQ}$	$V_{DD}$	$V_{SS}$	$V_{SS}$	$V_{SS}$	$V_{DD}$	$V_{DDQ}$	DQa	NC
<b>M</b>	DQb	NC	$V_{DDQ}$	$V_{DD}$	$V_{SS}$	$V_{SS}$	$V_{SS}$	$V_{DD}$	$V_{DDQ}$	DQa	NC
<b>N</b>	DPb	NC	$V_{DDQ}$	$V_{SS}$	NC	A	$V_{SS}$	$V_{SS}$	$V_{DDQ}$	NC	NC
<b>P</b>	NC	A	A	A	TDI	A1	TDO	A	A	A	A
<b>R</b>	MODE	A	A	A	TMS	A0	TCK	A	A	A	A



Pin Configurations (continued)

209-ball BGA (This package is offered on opportunity basis)  
CY7C1487V33 (1M x72)

	1	2	3	4	5	6	7	8	9	10	11
<b>A</b>	DQg	DQg	A	CE <sub>2</sub>	ADSP	ADSC	ADV	CE <sub>3</sub>	A	DQb	DQb
<b>B</b>	DQg	DQg	BWS <sub>c</sub>	BWS <sub>g</sub>	NC	BW	A	BWS <sub>b</sub>	BWS <sub>f</sub>	DQb	DQb
<b>C</b>	DQg	DQg	BWS <sub>h</sub>	BWS <sub>d</sub>	NC	CE <sub>1</sub>	NC	BWS <sub>e</sub>	BWS <sub>a</sub>	DQb	DQb
<b>D</b>	DQg	DQg	V <sub>SS</sub>	NC	NC	OE	GW	NC	V <sub>SS</sub>	DQb	DQb
<b>E</b>	DPg	DPc	V <sub>DDQ</sub>	V <sub>DDQ</sub>	V <sub>DD</sub>	V <sub>DD</sub>	V <sub>DD</sub>	V <sub>DDQ</sub>	V <sub>DDQ</sub>	DPf	DPb
<b>F</b>	DQc	DQc	V <sub>SS</sub>	V <sub>SS</sub>	V <sub>SS</sub>	NC	V <sub>SS</sub>	V <sub>SS</sub>	V <sub>SS</sub>	DQf	DQf
<b>G</b>	DQc	DQc	V <sub>DDQ</sub>	V <sub>DDQ</sub>	V <sub>DD</sub>	NC	V <sub>DD</sub>	V <sub>DDQ</sub>	V <sub>DDQ</sub>	DQf	DQf
<b>H</b>	DQc	DQc	V <sub>SS</sub>	V <sub>SS</sub>	V <sub>SS</sub>	NC	V <sub>SS</sub>	V <sub>SS</sub>	V <sub>SSQ</sub>	DQf	DQf
<b>J</b>	DQc	DQc	V <sub>DDQ</sub>	V <sub>DDQ</sub>	V <sub>DD</sub>	NC	V <sub>DD</sub>	V <sub>DDQ</sub>	V <sub>DDQ</sub>	DQf	DQf
<b>K</b>	NC	NC	CLK	NC	V <sub>SS</sub>	V <sub>SS</sub>	V <sub>SS</sub>	NC	NC	NC	NC
<b>L</b>	DQh	DQh	V <sub>DDQ</sub>	V <sub>DDQ</sub>	V <sub>DD</sub>	NC	V <sub>DD</sub>	V <sub>DDQ</sub>	V <sub>DDQ</sub>	DQa	DQa
<b>M</b>	DQh	DQh	V <sub>SS</sub>	V <sub>SS</sub>	V <sub>SS</sub>	NC	V <sub>SS</sub>	V <sub>SS</sub>	V <sub>SS</sub>	DQa	DQa
<b>N</b>	DQh	DQh	V <sub>DDQ</sub>	V <sub>DDQ</sub>	V <sub>DD</sub>	NC	V <sub>DD</sub>	V <sub>DDQ</sub>	V <sub>DDQ</sub>	DQa	DQa
<b>P</b>	DQh	DQh	V <sub>SS</sub>	V <sub>SS</sub>	V <sub>SS</sub>	ZZ	V <sub>SS</sub>	V <sub>SS</sub>	V <sub>SS</sub>	DQa	DQa
<b>R</b>	DPd	DPH	V <sub>DDQ</sub>	V <sub>DDQ</sub>	V <sub>DD</sub>	V <sub>DD</sub>	V <sub>DD</sub>	V <sub>DDQ</sub>	V <sub>DDQ</sub>	DPa	DPe
<b>T</b>	DQd	DQd	V <sub>SS</sub>	NC	NC	MODE	NC	NC	V <sub>SS</sub>	DQe	DQe
<b>U</b>	DQd	DQd	A	A	A	A	A	A	A	DQe	DQe
<b>V</b>	DQd	DQd	A	A	A	A1	A	A	A	DQe	DQe
<b>W</b>	DQd	DQd	TMS	TDI	A	A0	A	TDO	TCK	DQe	DQe

Pin Definitions

Pin Name	I/O	Pin Description
A0 A1 A	Input-Synchronous	<b>Address Inputs used to select one of the address locations.</b> Sampled at the rising edge of the CLK if ADSP or ADSC is active LOW, and CE <sub>1</sub> , CE <sub>2</sub> , and CE <sub>3</sub> are sampled active. A <sub>[1:0]</sub> feed the two-bit counter.
BW <sub>a</sub> BW <sub>b</sub> BW <sub>c</sub> BW <sub>d</sub> BW <sub>e</sub> BW <sub>f</sub> BW <sub>g</sub> BW <sub>h</sub>	Input-Synchronous	<b>Byte Write Select Inputs, active LOW.</b> Qualified with BWE to conduct byte writes to the SRAM. Sampled on the rising edge of CLK.
GW	Input-Synchronous	<b>Global Write Enable Input, active LOW.</b> When asserted LOW on the rising edge of CLK, a global write is conducted (ALL bytes are written, regardless of the values on BW <sub>a,b,c,d,e,f,g,h</sub> and BWE).
BWE	Input-Synchronous	<b>Byte Write Enable Input, active LOW.</b> Sampled on the rising edge of CLK. This signal must be asserted LOW to conduct a byte write.



Pin Definitions (continued)

Pin Name	I/O	Pin Description
CLK	Input-Clock	<b>Clock Input.</b> Used to capture all synchronous inputs to the device. Also used to increment the burst counter when ADV is asserted LOW, during a burst operation.
CE <sub>1</sub>	Input-Synchronous	<b>Chip Enable 1 Input, active LOW.</b> Sampled on the rising edge of CLK. Used in conjunction with CE <sub>2</sub> and CE <sub>3</sub> to select/deselect the device. ADSP is ignored if CE <sub>1</sub> is HIGH.
CE <sub>2</sub>	Input-Synchronous	<b>Chip Enable 2 Input, active HIGH.</b> Sampled on the rising edge of CLK. Used in conjunction with CE <sub>1</sub> and CE <sub>3</sub> to select/deselect the device.(TQFP Only)
CE <sub>3</sub>	Input-Synchronous	<b>Chip Enable 3 Input, active LOW.</b> Sampled on the rising edge of CLK. Used in conjunction with CE <sub>1</sub> and CE <sub>2</sub> to select/deselect the device.(TQFP Only)
OE	Input-Asynchronous	<b>Output Enable, asynchronous input, active LOW.</b> Controls the direction of the I/O pins. When LOW, the I/O pins behave as outputs. When deasserted HIGH, I/O pins are three-stated, and act as input data pins. OE is masked during the first clock of a read cycle when emerging from a deselected state.
ADV	Input-Synchronous	<b>Advance Input signal, sampled on the rising edge of CLK.</b> When asserted, it automatically increments the address in a burst cycle.
ADSP	Input-Synchronous	<b>Address Strobe from Processor, sampled on the rising edge of CLK.</b> When asserted LOW, A is captured in the address registers. A <sub>[1:0]</sub> are also loaded into the burst counter. When ADSP and ADSC are both asserted, only ADSP is recognized. ADSP is ignored when CE <sub>1</sub> is deasserted HIGH.
ADSC	Input-Synchronous	<b>Address Strobe from Controller, sampled on the rising edge of CLK.</b> When asserted LOW, A <sub>[x:0]</sub> is captured in the address registers. A <sub>[1:0]</sub> are also loaded into the burst counter. When ADSP and ADSC are both asserted, only ADSP is recognized.
MODE	Input-Static	<b>Selects Burst Order.</b> When tied to GND selects linear burst sequence. When tied to V <sub>DDQ</sub> or left floating selects interleaved burst sequence. This is a strap pin and should remain static during device operation.
ZZ	Input-Asynchronous	<b>ZZ “sleep” Input.</b> This active HIGH input places the device in a non-time critical “sleep” condition with data integrity preserved.
DQa, DPa DQb, DPb DQc, DPc DQd, DPd DQe, DPe DQf, DPf DQg, DPg DQh, DPh	I/O-Synchronous	<b>Bidirectional Data I/O lines.</b> As inputs, they feed into an on-chip data register that is triggered by the rising edge of CLK. As outputs, they deliver the data contained in the memory location specified by A during the previous clock rise of the read cycle. The direction of the pins is controlled by OE. When OE is asserted LOW, the pins behave as outputs. When HIGH, DQx and DPx are placed in a three-state condition. DQ a,b,c,d,e,f,g and h are 8 bits wide. DP a,b,c,d,e,f,g and h are 1 bit wide.
TDO	JTAG serial output Synchronous	<b>Serial data-out to the JTAG circuit.</b> Delivers data on the negative edge of TCK. (BGA Only)
TDI	JTAG serial input Synchronous	<b>Serial data-In to the JTAG circuit.</b> Sampled on the rising edge of TCK.(BGA Only)
TMS	Test Mode Select Synchronous	<b>This pin controls the Test Access Port state machine.</b> Sampled on the rising edge of TCK. (BGA Only)
TCK	JTAG serial clock	<b>Serial clock to the JTAG circuit.</b> (BGA Only)
V <sub>DD</sub>	Power Supply	<b>Power supply inputs to the core of the device.</b> Should be connected to 3.3V -5% +5% power supply.
V <sub>SS</sub>	Ground	<b>Ground for the core of the device.</b> Should be connected to ground of the system.
V <sub>DDQ</sub>	I/O Power Supply	<b>Power supply for the I/O circuitry.</b> Should be connected to a 2.375V(min.) to V <sub>DD</sub> (max.)
V <sub>SSQ</sub>	I/O Ground	<b>Ground for the I/O circuitry.</b> Should be connected to ground of the system.
144M	-	<b>NC. This pin is reserved for expansion to 144Mb.</b>
NC	-	<b>No connects.</b>



## Functional Description

### Single Read Accesses

This access is initiated when the following conditions are satisfied at clock rise: (1)  $\overline{ADSP}$  or  $\overline{ADSC}$  is asserted LOW, (2) chip enable ( $\overline{CE}_1$ ,  $\overline{CE}_2$ ,  $\overline{CE}_3$  on TQFP,  $\overline{CE}_1$  on BGA) asserted active, and (3) the write signals ( $\overline{GW}$ ,  $\overline{BWE}$ ) are all deasserted HIGH.  $\overline{ADSP}$  is ignored if  $\overline{CE}_1$  is HIGH. The address presented to the address inputs is stored into the address advancement logic and the Address Register while being presented to the memory core. If the  $\overline{OE}$  input is asserted LOW, the requested data will be available at the data outputs a maximum to  $t_{CDV}$  after clock rise.  $\overline{ADSP}$  is ignored if  $\overline{CE}_1$  is HIGH.

### Single Write Accesses Initiated by $\overline{ADSP}$

This access is initiated when both of the following conditions are satisfied at clock rise: (1)  $\overline{ADSP}$  is asserted LOW, and (2) Chip Enable asserted active. The address presented is loaded into the address register and the address advancement logic while being delivered to the RAM core. The write signals ( $\overline{GW}$ ,  $\overline{BWE}$ , and  $\overline{BW}_x$ ) and  $\overline{ADV}$  inputs are ignored during this first clock cycle. If the write inputs are asserted active (see Write Cycle Descriptions table for appropriate states that indicate a write) on the next clock rise, the appropriate data will be latched and written into the device. The CY7C1481V33/CY7C1483V33/CY7C1487V33 provides byte write capability that is described in the Write Cycle Description table. Asserting the Byte Write Enable input ( $\overline{BWE}$ ) with the selected Byte Write ( $\overline{BW}_{a,b,c,d,e,f,g,h}$  for CY7C1487V33,  $\overline{BW}_{a,b,c,d}$  for CY7C1481V33 and  $\overline{BW}_{a,b}$  for CY7C1483V33) input will selectively write to only the desired bytes. Bytes not selected during a byte write operation will remain unaltered. All I/Os are three-stated during a byte write.

Because the CY7C1481V33/CY7C1483V33/CY7C1487V33 is a common I/O device, the Output Enable ( $\overline{OE}$ ) must be deasserted HIGH before presenting data to the DQx inputs. Doing so will three-state the output drivers. As a safety

precaution, DQx are automatically three-stated whenever a write cycle is detected, regardless of the state of  $\overline{OE}$ .

### Single Write Accesses Initiated by $\overline{ADSC}$

$\overline{ADSC}$  write accesses are initiated when the following conditions are satisfied: (1)  $\overline{ADSC}$  is asserted LOW, (2)  $\overline{ADSP}$  is deasserted HIGH, (3) Chip Enable ( $\overline{CE}_1$ ,  $\overline{CE}_2$ ,  $\overline{CE}_3$  on TQFP,  $\overline{CE}_1$  on BGA) asserted active, and (4) the appropriate combination of the write inputs ( $\overline{GW}$ ,  $\overline{BWE}$ , and  $\overline{BW}_x$ ) are asserted active to conduct a write to the desired byte(s).  $\overline{ADSC}$  is ignored if  $\overline{ADSP}$  is active LOW.

The address presented to  $A_{[17:0]}$  is loaded into the address register and the address advancement logic while being delivered to the RAM core. The  $\overline{ADV}$  input is ignored during this cycle. If a global write is conducted, the data presented to the DQx is written into the corresponding address location in the RAM core. If a byte write is conducted, only the selected bytes are written. Bytes not selected during a byte write operation will remain unaltered. All I/Os are three-stated during a byte write because the CY7C1481V33/CY7C1483V33/CY7C1487V33 is a common I/O device, the Output Enable ( $\overline{OE}$ ) must be deasserted HIGH before presenting data to the DQx inputs. Doing so will three-state the output drivers. As a safety precaution, DQx are automatically three-stated whenever a write cycle is detected, regardless of the state of  $\overline{OE}$ .

### Burst Sequences

The CY7C1481V33/CY7C1483V33/CY7C1487V33 provides a two-bit wraparound counter, fed by  $A_{[1:0]}$ , that implements either an interleaved or linear burst sequence. To support processors that follow a linear burst sequence. The burst sequence is user selectable through the MODE input.

Asserting  $\overline{ADV}$  LOW at clock rise will automatically increment the burst counter to the next address in the burst sequence. Both read and write burst operations are supported.

## Cycle Descriptions [1, 2, 3, 4]

Next Cycle	Add. Used	ZZ	$\overline{CE}_3$	$\overline{CE}_2$	$\overline{CE}_1$	$\overline{ADSP}$	$\overline{ADSC}$	$\overline{ADV}$	$\overline{OE}$	DQ	Write
Unselected	None	0	X	X	1	X	0	X	X	Hi-Z	X
Unselected	None	0	1	X	0	0	X	X	X	Hi-Z	X
Unselected	None	0	X	0	0	0	X	X	X	Hi-Z	X
Unselected	None	0	1	X	0	1	0	X	X	Hi-Z	X
Unselected	None	0	X	0	0	1	0	X	X	Hi-Z	X
Begin Read	External	0	0	1	0	0	X	X	X	Hi-Z	X
Begin Read	External	0	0	1	0	1	0	X	X	Hi-Z	Read
Continue Read	Next	0	X	X	X	1	1	0	1	Hi-Z	Read
Continue Read	Next	0	X	X	X	1	1	0	0	DQ	Read
Continue Read	Next	0	X	X	1	X	1	0	1	Hi-Z	Read
Continue Read	Next	0	X	X	1	X	1	0	0	DQ	Read
Suspend Read	Current	0	X	X	X	1	1	1	1	Hi-Z	Read

#### Notes:

- X = "Don't Care." 1 = HIGH, 0 = LOW.
- Write is defined by  $\overline{BWE}$ ,  $\overline{BW}_x$ , and  $\overline{GW}$ . See Write Cycle Descriptions table.
- The DQ pins are controlled by the current cycle and the  $\overline{OE}$  signal.  $\overline{OE}$  is asynchronous and is not sampled with the clock.
- $\overline{CE}_1$ ,  $\overline{CE}_2$ , and  $\overline{CE}_3$  are available only in the TQFP package. BGA package has a single chip select  $\overline{CE}_1$ .



Cycle Descriptions (continued)<sup>[1, 2, 3, 4]</sup>

Next Cycle	Add. Used	ZZ	CE <sub>3</sub>	CE <sub>2</sub>	CE <sub>1</sub>	ADSP	ADSC	ADV	OE	DQ	Write
Suspend Read	Current	0	X	X	X	1	1	1	0	DQ	Read
Suspend Read	Current	0	X	X	1	X	1	1	1	Hi-Z	Read
Suspend Read	Current	0	X	X	1	X	1	1	0	DQ	Read
Begin Write	Current	0	X	X	X	1	1	1	X	Hi-Z	Write
Begin Write	Current	0	X	X	1	X	1	1	X	Hi-Z	Write
Begin Write	External	0	0	1	0	1	0	X	X	Hi-Z	Write
Continue Write	Next	0	X	X	X	1	1	0	X	Hi-Z	Write
Continue Write	Next	0	X	X	1	X	1	0	X	Hi-Z	Write
Suspend Write	Current	0	X	X	X	1	1	1	X	Hi-Z	Write
Suspend Write	Current	0	X	X	1	X	1	1	X	Hi-Z	Write
ZZ "sleep"	None	1	X	X	X	X	X	X	X	Hi-Z	X

Interleaved Burst Sequence

First Address	Second Address	Third Address	Fourth Address
A[1:0]	A[1:0]	A[1:0]	A[1:0]
00	01	10	11
01	00	11	10
10	11	00	01
11	10	01	00

Sleep Mode

The ZZ input pin is an asynchronous input. Asserting ZZ places the SRAM in a power conservation "sleep" mode. Two clock cycles are required to enter into or exit from this "sleep" mode. While in this mode, data integrity is guaranteed. Accesses pending when entering the "sleep" mode are not considered valid nor is the completion of the operation guaranteed. The device must be deselected prior to entering the "sleep" mode. CEs, ADSP, and ADSC must remain inactive for the duration of t<sub>ZZREC</sub> after the ZZ input returns LOW.

Linear Burst Sequence

First Address	Second Address	Third Address	Fourth Address
A[1:0]	A[1:0]	A[1:0]	A[1:0]
00	01	10	11
01	10	11	00
10	11	00	01
11	00	01	10

ZZ Mode Electrical Characteristics

Parameter	Description	Test Conditions	Min.	Max.	Unit
I <sub>DDZZ</sub>	Snooze mode standby current	ZZ ≥ V <sub>DD</sub> - 0.2V		TBD	mA
t <sub>ZZS</sub>	Device operation to ZZ	ZZ ≥ V <sub>DD</sub> - 0.2V		2t <sub>CYC</sub>	ns
t <sub>ZZREC</sub>	ZZ recovery time	ZZ ≤ 0.2V	2t <sub>CYC</sub>		ns



Write Cycle Descriptions<sup>[1, 2]</sup>

Function (CY7C1481V33)	$\overline{GW}$	$\overline{BWE}$	$\overline{BW_d}$	$\overline{BW_c}$	$\overline{BW_b}$	$\overline{BW_a}$
Read	1	1	X	X	X	X
Read	1	0	1	1	1	1
Write Byte 0 – DQa	1	0	1	1	1	0
Write Byte 1 – DQb	1	0	1	1	0	1
Write Bytes 1, 0	1	0	1	1	0	0
Write Byte 2 – DQc	1	0	1	0	1	1
Write Bytes 2, 0	1	0	1	0	1	0
Write Bytes 2, 1	1	0	1	0	0	1
Write Bytes 2, 1, 0	1	0	1	0	0	0
Write Byte 3 – DQd	1	0	0	1	1	1
Write Bytes 3, 0	1	0	0	1	1	0
Write Bytes 3, 1	1	0	0	1	0	1
Write Bytes 3, 1, 0	1	0	0	1	0	0
Write Bytes 3, 2	1	0	0	0	1	1
Write Bytes 3, 2, 0	1	0	0	0	1	0
Write Bytes 3, 2, 1	1	0	0	0	0	1
Write All Bytes	1	0	0	0	0	0
Write All Bytes	0	X	X	X	X	X

Function (CY7C1483V33)	$\overline{GW}$	$\overline{BWE}$	$\overline{BW_b}$	$\overline{BW_a}$
Read	1	1	X	X
Read	1	0	1	1
Write Byte 0 – DQ <sub>[7:0]</sub> and DP <sub>0</sub>	1	0	1	0
Write Byte 1 – DQ <sub>[15:8]</sub> and DP <sub>1</sub>	1	0	0	1
Write All Bytes	1	0	0	0
Write All Bytes	0	X	X	X

Function (CY7C1487V33) <sup>[5]</sup>	$\overline{GW}$	$\overline{BWE}$	$\overline{BW_x}$
Read	1	1	X
Read	1	0	All $\overline{BW} = 1$
Write Byte X	1	0	0
Write All Bytes	1	0	All $\overline{BW} = 0$
Write All Bytes	0	X	X

Note:

5. BWx represents any byte write signal BW[0..7]. To enable any byte write BWx, a low logic signal should be applied at clock rise. Any number of byte writes can be enabled at the same time for any given write.

## IEEE 1149.1 Serial Boundary Scan (JTAG)

The CY7C1483V33/CY7C1481V33/CY7C1487V33 incorporates a serial boundary scan Test Access Port (TAP) in the BGA package only. The TQFP package does not offer this functionality. This port operates in accordance with IEEE Standard 1149.1-1900, but does not have the set of functions required for full 1149.1 compliance. These functions from the IEEE specification are excluded because their inclusion places an added delay in the critical speed path of the SRAM. Note that the TAP controller functions in a manner that does not conflict with the operation of other devices using 1149.1 fully compliant TAPs. The TAP operates using JEDEC standard 3.3V I/O logic levels.

### Disabling the JTAG Feature

It is possible to operate the SRAM without using the JTAG feature. To disable the TAP controller, TCK must be tied LOW ( $V_{SS}$ ) to prevent clocking of the device. TDI and TMS are internally pulled up and may be unconnected. They may alternately be connected to  $V_{DD}$  through a pull-up resistor. TDO should be left unconnected. Upon power-up, the device will come up in a reset state which will not interfere with the operation of the device.

### Test Access Port (TAP) – Test Clock

The test clock is used only with the TAP controller. All inputs are captured on the rising edge of TCK. All outputs are driven from the falling edge of TCK.

### Test Mode Select

The TMS input is used to give commands to the TAP controller and is sampled on the rising edge of TCK. It is allowable to leave this pin unconnected if the TAP is not used. The pin is pulled up internally, resulting in a logic HIGH level.

### Test Data-In (TDI)

The TDI pin is used to serially input information into the registers and can be connected to the input of any of the registers. The register between TDI and TDO is chosen by the instruction that is loaded into the TAP instruction register. For information on loading the instruction register, see the TAP Controller State Diagram. TDI is internally pulled up and can be unconnected if the TAP is unused in an application. TDI is connected to the Most Significant Bit (MSB) on any register.

### Test Data Out (TDO)

The TDO output pin is used to serially clock data-out from the registers. The output is active depending upon the current state of the TAP state machine (see TAP Controller State Diagram). The output changes on the falling edge of TCK. TDO is connected to the Least Significant Bit (LSB) of any register.

### Performing a TAP Reset

A Reset is performed by forcing TMS HIGH ( $V_{DD}$ ) for five rising edges of TCK. This RESET does not affect the operation of the SRAM and may be performed while the SRAM is operating. At power-up, the TAP is reset internally to ensure that TDO comes up in a High-Z state.

## TAP Registers

Registers are connected between the TDI and TDO pins and allow data to be scanned into and out of the SRAM test circuitry. Only one register can be selected at a time through the instruction registers. Data is serially loaded into the TDI pin on the rising edge of TCK. Data is output on the TDO pin on the falling edge of TCK.

### Instruction Register

Three-bit instructions can be serially loaded into the instruction register. This register is loaded when it is placed between the TDI and TDO pins as shown in the TAP Controller Block Diagram. Upon power-up, the instruction register is loaded with the IDCODE instruction. It is also loaded with the IDCODE instruction if the controller is placed in a reset state as described in the previous section.

When the TAP controller is in the CaptureIR state, the two least significant bits are loaded with a binary “01” pattern to allow for fault isolation of the board level serial test path.

### Bypass Register

To save time when serially shifting data through registers, it is sometimes advantageous to skip certain states. The bypass register is a single-bit register that can be placed between TDI and TDO pins. This allows data to be shifted through the SRAM with minimal delay. The bypass register is set LOW ( $V_{SS}$ ) when the BYPASS instruction is executed.

### Boundary Scan Register

The boundary scan register is connected to all the input and output pins on the SRAM. Several no connect (NC) pins are also included in the scan register to reserve pins for higher density devices. The x36 configuration has a 70-bit-long register, and the x18 configuration has a 51-bit-long register.

The boundary scan register is loaded with the contents of the RAM Input and Output ring when the TAP controller is in the Capture-DR state and is then placed between the TDI and TDO pins when the controller is moved to the Shift-DR state. The EXTEST, SAMPLE/PRELOAD and SAMPLE Z instructions can be used to capture the contents of the Input and Output ring.

The Boundary Scan Order tables show the order in which the bits are connected. Each bit corresponds to one of the bumps on the SRAM package. The MSB of the register is connected to TDI, and the LSB is connected to TDO.

### Identification (ID) Register

The ID register is loaded with a vendor-specific, 32-bit code during the Capture-DR state when the IDCODE command is loaded in the instruction register. The IDCODE is hardwired into the SRAM and can be shifted out when the TAP controller is in the Shift-DR state. The ID register has a vendor code and other information described in the Identification Register Definitions table.

### TAP Instruction Set

Eight different instructions are possible with the three-bit instruction register. All combinations are listed in the Instruction Code table. Three of these instructions are listed as RESERVED and should not be used. The other five instructions are described in detail below.



The TAP controller used in this SRAM is not fully compliant to the 1149.1 convention because some of the mandatory 1149.1 instructions are not fully implemented. The TAP controller cannot be used to load address, data, or control signals into the SRAM and cannot preload the Input or Output buffers. The SRAM does not implement the 1149.1 commands EXTEST or INTEST or the PRELOAD portion of SAMPLE/PRELOAD; rather it performs a capture of the Inputs and Output ring when these instructions are executed.

Instructions are loaded into the TAP controller during the Shift-IR state when the instruction register is placed between TDI and TDO. During this state, instructions are shifted through the instruction register through the TDI and TDO pins. To execute the instruction once it is shifted in, the TAP controller needs to be moved into the Update-IR state.

*EXTEST*

EXTEST is a mandatory 1149.1 instruction which is to be executed whenever the instruction register is loaded with all 0s. EXTEST is not implemented in the TAP controller, and therefore this device is not compliant to the 1149.1 standard.

The TAP controller does recognize an all-0 instruction. When an EXTEST instruction is loaded into the instruction register, the SRAM responds as if a SAMPLE/PRELOAD instruction has been loaded. There is one difference between the two instructions. Unlike the SAMPLE/PRELOAD instruction, EXTEST places the SRAM outputs in a High-Z state.

*IDCODE*

The IDCODE instruction causes a vendor-specific, 32-bit code to be loaded into the instruction register. It also places the instruction register between the TDI and TDO pins and allows the IDCODE to be shifted out of the device when the TAP controller enters the Shift-DR state. The IDCODE instruction is loaded into the instruction register upon power-up or whenever the TAP controller is given a test logic reset state.

*SAMPLE Z*

The SAMPLE Z instruction causes the boundary scan register to be connected between the TDI and TDO pins when the TAP controller is in a Shift-DR state. It also places all SRAM outputs into a High-Z state.

*SAMPLE/PRELOAD*

SAMPLE/PRELOAD is a 1149.1 mandatory instruction. The PRELOAD portion of this instruction is not implemented, so the TAP controller is not fully 1149.1 compliant.

When the SAMPLE/PRELOAD instructions are loaded into the instruction register and the TAP controller is in the Capture-DR state, a snapshot of data on the inputs and output pins is captured in the boundary scan register.

The user must be aware that the TAP controller clock can only operate at a frequency up to 10 MHz, while the SRAM clock operates more than an order of magnitude faster. Because there is a large difference in the clock frequencies, it is possible that during the Capture-DR state, an input or output will undergo a transition. The TAP may then try to capture a signal while in transition (metastable state). This will not harm the device, but there is no guarantee as to the value that will be captured. Repeatable results may not be possible.

To guarantee that the boundary scan register will capture the correct value of a signal, the SRAM signal must be stabilized long enough to meet the TAP controller's capture set-up plus hold times ( $t_{CS}$  and  $t_{CH}$ ). The SRAM clock input might not be captured correctly if there is no way in a design to stop (or slow) the clock during a SAMPLE/PRELOAD instruction. If this is an issue, it is still possible to capture all other signals and simply ignore the value of the CK and  $\bar{CK}$  captured in the boundary scan register.

Once the data is captured, it is possible to shift out the data by putting the TAP into the Shift-DR state. This places the boundary scan register between the TDI and TDO pins.

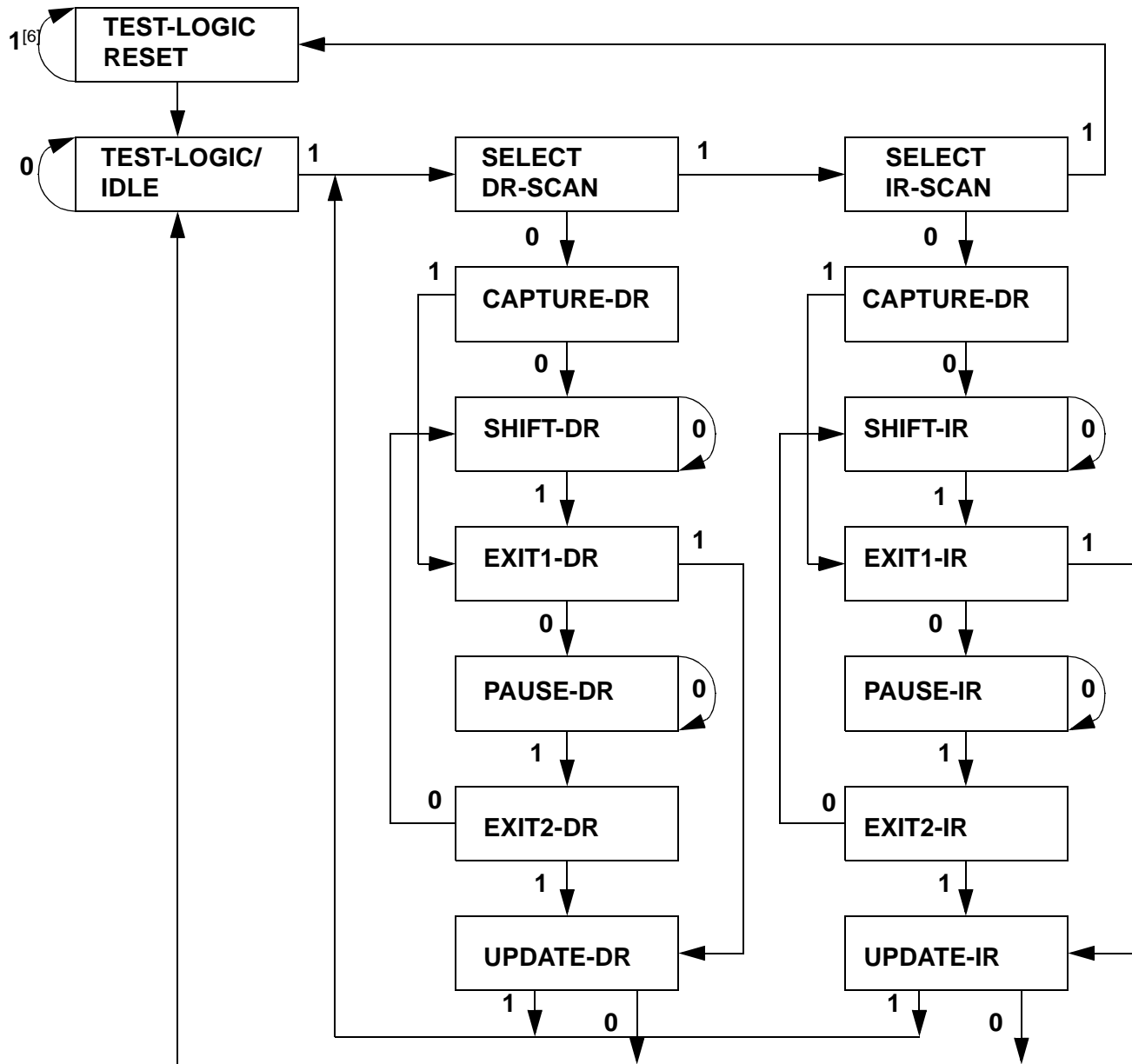
Note that since the PRELOAD part of the command is not implemented, putting the TAP into the Update to the Update-DR state while performing a SAMPLE/PRELOAD instruction will have the same effect as the Pause-DR command.

*Bypass*

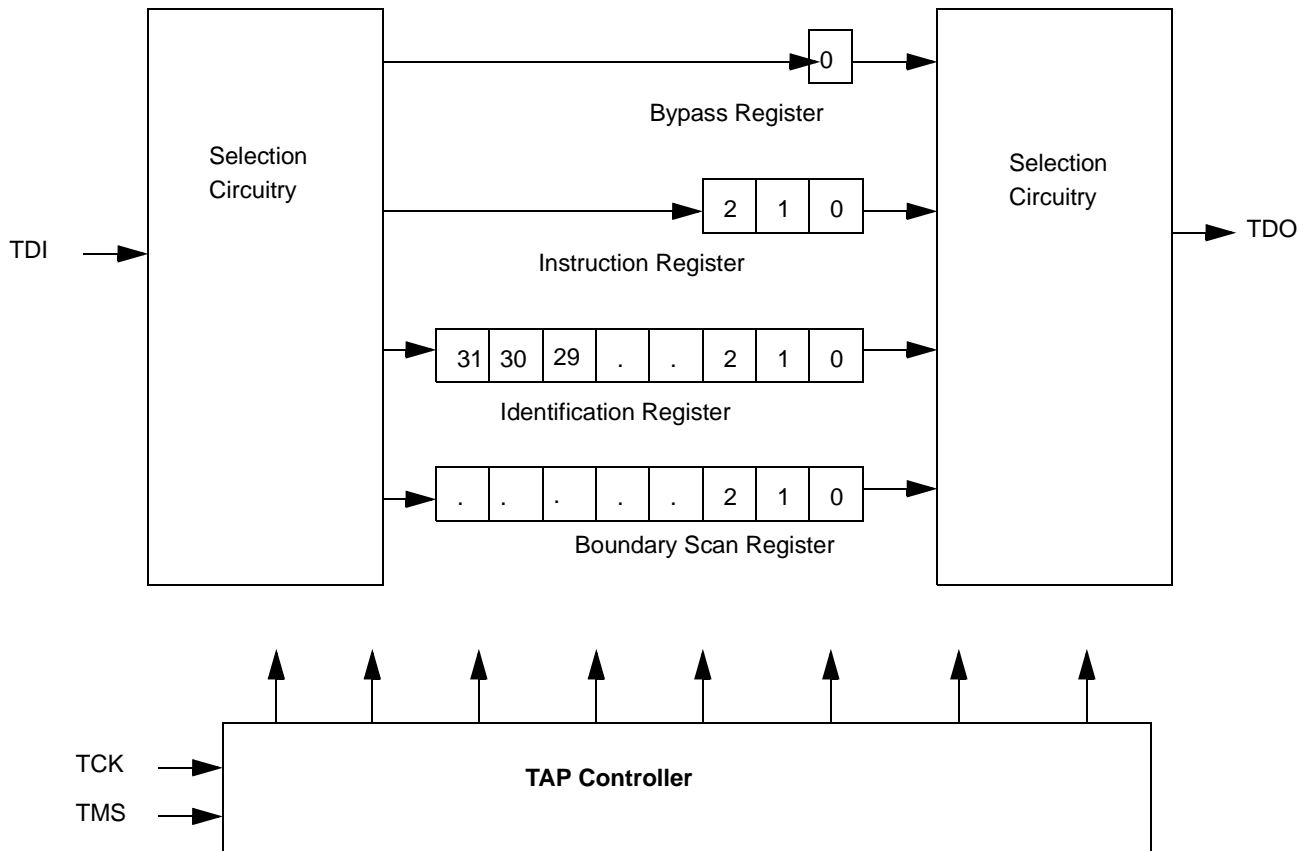
When the BYPASS instruction is loaded in the instruction register and the TAP is placed in a Shift-DR state, the bypass register is placed between the TDI and TDO pins. The advantage of the BYPASS instruction is that it shortens the boundary scan path when multiple devices are connected together on a board.

*Reserved*

These instructions are not implemented but are reserved for future use. Do not use these instructions.

**TAP Controller State Diagram**

**Note:**

6. The 0/1 next to each state represents the value at TMS at the rising edge of TCK.

**TAP Controller Block Diagram**

**TAP Electrical Characteristics** Over the Operating Range<sup>[7, 8]</sup>

Parameter	Description	Test Conditions	Min.	Max.	Unit
V <sub>OH1</sub>	Output HIGH Voltage	I <sub>OH</sub> = -4.0 mA	2.4		V
V <sub>OH2</sub>	Output HIGH Voltage	I <sub>OH</sub> = -100 μA	3.0		V
V <sub>OL1</sub>	Output LOW Voltage	I <sub>OL</sub> = 8.0 mA		0.4	V
V <sub>OL2</sub>	Output LOW Voltage	I <sub>OL</sub> = 100 μA		0.2	V
V <sub>IH</sub>	Input HIGH Voltage		1.8	V <sub>DD</sub> + 0.3	V
V <sub>IL</sub>	Input LOW Voltage		-0.5	0.8	V
I <sub>X</sub>	Input Load Current	GND ≤ V <sub>I</sub> ≤ V <sub>DDQ</sub>	-5	5	μA

**TAP AC Switching Characteristics** Over the Operating Range<sup>[9, 10]</sup>

Parameter	Description	Min.	Max	Unit
t <sub>TCYC</sub>	TCK Clock Cycle Time	100		ns
t <sub>TF</sub>	TCK Clock Frequency		10	MHz
t <sub>TH</sub>	TCK Clock HIGH	40		ns
t <sub>TL</sub>	TCK Clock LOW	40		ns

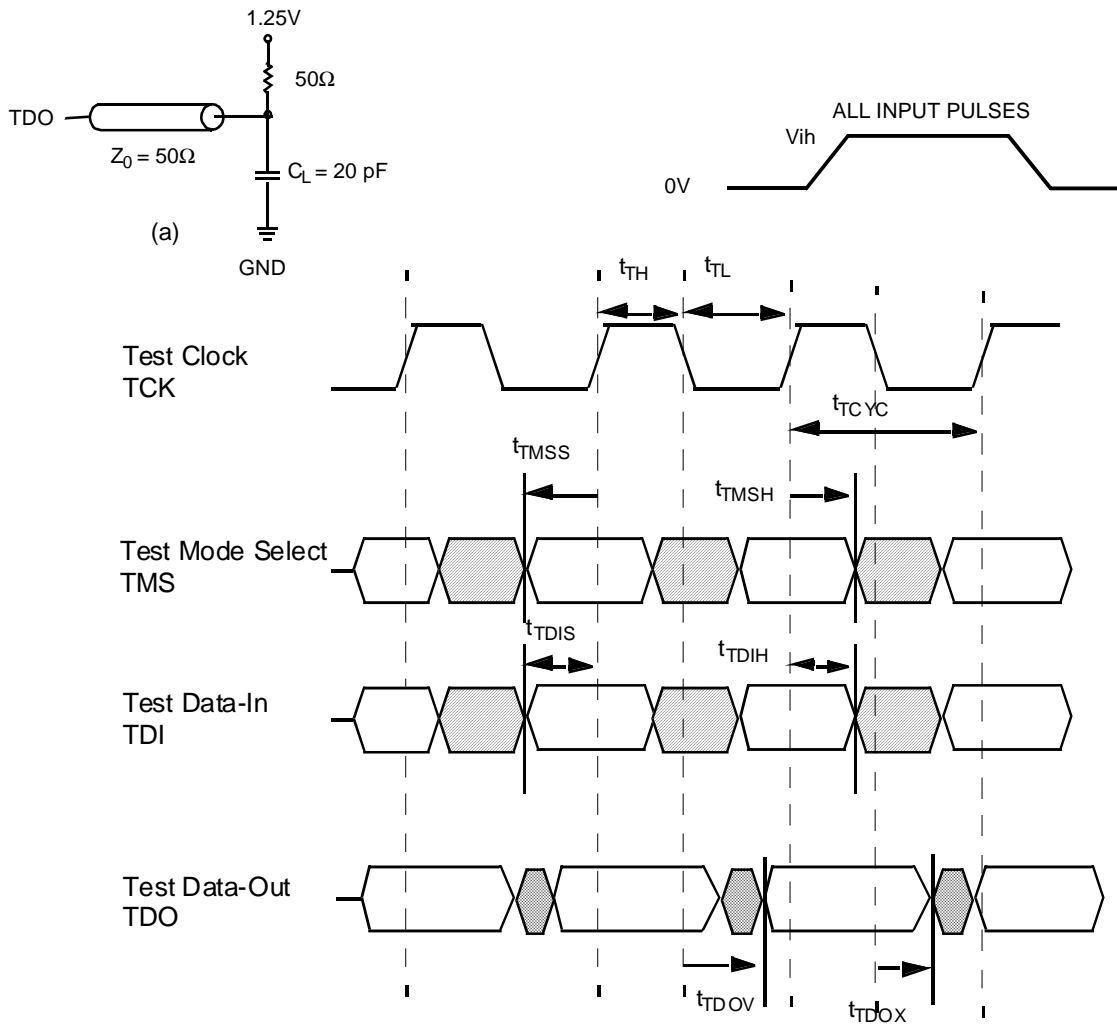
**Notes:**

7. All Voltage referenced to Ground.
8. Overshoot: V<sub>IH</sub>(AC) ≤ V<sub>DD</sub> + 1.5V for t<sub>set</sub> ≤ t<sub>TCYC</sub>/2, Undershoot: V<sub>IL</sub>(AC) ≤ 0.5V for t<sub>set</sub> ≤ t<sub>TCYC</sub>/2, Power-up: V<sub>IH</sub> < 2.6V and V<sub>DD</sub> < 2.4V and V<sub>DDQ</sub> < 1.4V for t < 200 ms.
9. t<sub>CS</sub> and t<sub>CH</sub> refer to the set-up and hold time requirements of latching data from the boundary scan register.
10. Test conditions are specified using the load in TAP AC test conditions. t<sub>R</sub>/t<sub>F</sub> = 1 ns.



**TAP AC Switching Characteristics** Over the Operating Range (continued)<sup>[9, 10]</sup>

Parameter	Description	Min.	Max	Unit
<b>Set-up Times</b>				
$t_{TMSS}$	TMS Set-up to TCK Clock Rise	10		ns
$t_{TDIS}$	TDI Set-up to TCK Clock Rise	10		ns
$t_{CS}$	Capture Set-up to TCK Rise	10		ns
<b>Hold Times</b>				
$t_{TMSH}$	TMS Hold after TCK Clock Rise	10		ns
$t_{TDIH}$	TDI Hold after Clock Rise	10		ns
$t_{CH}$	Capture Hold after Clock Rise	10		ns
<b>Output Times</b>				
$t_{TDOV}$	TCK Clock LOW to TDO Valid		20	ns
$t_{TDOX}$	TCK Clock LOW to TDO Invalid	0		ns

**TAP Timing and Test Conditions**






**Identification Register Definitions**

Instruction Field	x 18	x36	x72	Description
Revision Number (31:29)	000	000	000	Reserved for version number
Department Number (27:25)	101	101	101	Department number
Voltage (28&24)	00	00	00	
Architecture (23:21)	000	000	000	Architecture type
Memory Type (20:18)	001	001	001	Defines type of memory
Device Width (17:15)	010	100	110	Defines width of the SRAM. x36 or x18
Device Density (14:12)	100	100	100	Defines the density of the SRAM
Cypress JEDEC ID (11:1)	0000011 0100	0000011 0100	0000011 0100	Allows unique identification of SRAM vendor
ID Register Presence (0)	1	1	1	Indicate the presence of an ID register

**Scan Register Sizes**

Register Name	Bit Size (x18)	Bit Size (x36)	Bit Size (x72)
Instruction	3	3	3
Bypass	1	1	1
ID	32	32	32
Boundary Scan	TBD	TBD	TBD

**Identification Codes**

Instruction	Code	Description
EXTEST	000	Captures the Input/Output ring contents. Places the boundary scan register between the TDI and TDO. Forces all SRAM outputs to High-Z state. This instruction is not 1149.1 compliant.
IDCODE	001	Loads the ID register with the vendor ID code and places the register between TDI and TDO. This operation does not affect SRAM operation.
SAMPLE Z	010	Captures the Input/Output contents. Places the boundary scan register between TDI and TDO. Forces all SRAM output drivers to a High-Z state.
RESERVED	011	Do Not Use: This instruction is reserved for future use.
SAMPLE/PRELOAD	100	Captures the Input/Output ring contents. Places the boundary scan register between TDI and TDO. Does not affect the SRAM operation. This instruction does not implement 1149.1 preload function and is therefore not 1149.1 compliant.
RESERVED	101	Do Not Use: This instruction is reserved for future use.
RESERVED	110	Do Not Use: This instruction is reserved for future use.
BYPASS	111	Places the bypass register between TDI and TDO. This operation does not affect SRAM operation.

**Boundary Scan Order (2M x 36)**

Bit #	Signal Name	Bump ID	Bit #	Signal Name	Bump ID
TBD	TBD	TBD	TBD	TBD	TBD
TBD	TBD	TBD	TBD	TBD	TBD
TBD	TBD	TBD	TBD	TBD	TBD
TBD	TBD	TBD	TBD	TBD	TBD
TBD	TBD	TBD	TBD	TBD	TBD
TBD	TBD	TBD	TBD	TBD	TBD
TBD	TBD	TBD	TBD	TBD	TBD
TBD	TBD	TBD	TBD	TBD	TBD
TBD	TBD	TBD	TBD	TBD	TBD
TBD	TBD	TBD	TBD	TBD	TBD
TBD	TBD	TBD	TBD	TBD	TBD
TBD	TBD	TBD	TBD	TBD	TBD

**Boundary Scan Order (2M x 36) (continued)**

Bit #	Signal Name	Bump ID	Bit #	Signal Name	Bump ID
TBD	TBD	TBD	TBD	TBD	TBD
TBD	TBD	TBD	TBD	TBD	TBD
TBD	TBD	TBD	TBD	TBD	TBD
TBD	TBD	TBD	TBD	TBD	TBD
TBD	TBD	TBD	TBD	TBD	TBD
TBD	TBD	TBD	TBD	TBD	TBD
TBD	TBD	TBD	TBD	TBD	TBD
TBD	TBD	TBD	TBD	TBD	TBD
TBD	TBD	TBD	TBD	TBD	TBD
TBD	TBD	TBD	TBD	TBD	TBD
TBD	TBD	TBD	TBD	TBD	TBD
TBD	TBD	TBD	TBD	TBD	TBD





**Maximum Ratings**

(Above which the useful life may be impaired. For user guidelines, not tested.)

- Storage Temperature ..... -65°C to +150°C
- Ambient Temperature with Power Applied..... -55°C to +125°C
- Supply Voltage on V<sub>DD</sub> Relative to GND..... -0.5V to +4.6V
- DC Voltage Applied to Outputs in High-Z State<sup>[12]</sup> ..... -0.5V to V<sub>DDQ</sub> + 0.5V
- DC Input Voltage<sup>[12]</sup> ..... -0.5V to V<sub>DDQ</sub> + 0.5V

- Current into Outputs (LOW)..... 20 mA
- Static Discharge Voltage..... >2001V (per MIL-STD-883, Method 3015)
- Latch-up Current..... >200 mA

**Operating Range**

Range	Ambient Temperature <sup>[11]</sup>	V <sub>DD</sub>	V <sub>DDQ</sub>
Com'l	0°C to +70°C	3.3V + 5%/-5%	2.375V (min.) V <sub>DD</sub> (max.)

**Electrical Characteristics** Over the Operating Range

Parameter	Description	Test Conditions		Min.	Max.	Unit	
V <sub>DD</sub>	Power Supply Voltage			3.135	3.465	V	
V <sub>DDQ</sub>	I/O Supply Voltage			2.375	V <sub>DD</sub>	V	
V <sub>OH</sub>	Output HIGH Voltage	V <sub>DD</sub> = Min., I <sub>OH</sub> = -4.0 mA	3.3V	2.4		V	
		V <sub>DD</sub> = Min., I <sub>OH</sub> = -1.0 mA	2.5V	2.0		V	
V <sub>OL</sub>	Output LOW Voltage	V <sub>DD</sub> = Min., I <sub>OL</sub> = 8.0 mA	3.3V		0.4	V	
		V <sub>DD</sub> = Min., I <sub>OL</sub> = 1.0 mA	2.5V		0.4	V	
V <sub>IH</sub>	Input HIGH Voltage			3.3V	2.0	V	
				2.5V	1.7	V	
V <sub>IL</sub>	Input LOW Voltage <sup>[12]</sup>			3.3V	-0.3	0.8	V
				2.5V	-0.3	0.7	V
I <sub>X</sub>	Input Load Current	GND ≤ V <sub>I</sub> ≤ V <sub>DDQ</sub>			5	μA	
	Input Current of MODE				30	μA	
	Input Current of ZZ	Input = V <sub>SS</sub>			30	μA	
I <sub>OZ</sub>	Output Leakage Current	GND ≤ V <sub>I</sub> ≤ V <sub>DDQ</sub> , Output Disabled			5	μA	
I <sub>DD</sub>	V <sub>DD</sub> Operating Supply	V <sub>DD</sub> = Max., I <sub>OUT</sub> = 0 mA, f = f <sub>MAX</sub> = 1/t <sub>CYC</sub>	150 MHz		TBD	mA	
			133 MHz		TBD	mA	
			117 MHz		TBD	mA	
			100 MHz		TBD	mA	
I <sub>SB1</sub>	Automatic CE Power-down Current—TTL Inputs	Max. V <sub>DD</sub> , Device Deselected, V <sub>IN</sub> ≥ V <sub>IH</sub> or V <sub>IN</sub> ≤ V <sub>IL</sub> , f = f <sub>MAX</sub> = 1/t <sub>CYC</sub>	150 MHz		TBD	mA	
			133 MHz		TBD	mA	
			117 MHz		TBD	mA	
			100 MHz		TBD	mA	
I <sub>SB2</sub>	Automatic CE Power-down Current—CMOS Inputs	Max. V <sub>DD</sub> , Device Deselected, V <sub>IN</sub> ≤ 0.3V or V <sub>IN</sub> ≥ V <sub>DDQ</sub> - 0.3V, f = 0	All speed grades		TBD	mA	
I <sub>SB3</sub>	Automatic CE Power-down Current—CMOS Inputs	Max. V <sub>DD</sub> , Device Deselected, or V <sub>IN</sub> ≤ 0.3V or V <sub>IN</sub> ≥ V <sub>DDQ</sub> - 0.3V, f = f <sub>MAX</sub> = 1/t <sub>CYC</sub>	150 MHz		TBD	mA	
			133 MHz		TBD	mA	
			117 MHz		TBD	mA	
			100 MHz		TBD	mA	
I <sub>SB4</sub>	Automatic CE Power-down Current—TTL Inputs	Max. V <sub>DD</sub> , Device Deselected, V <sub>IN</sub> ≥ V <sub>IH</sub> or V <sub>IN</sub> ≤ V <sub>IL</sub> , f = 0	All speed grades		TBD	mA	

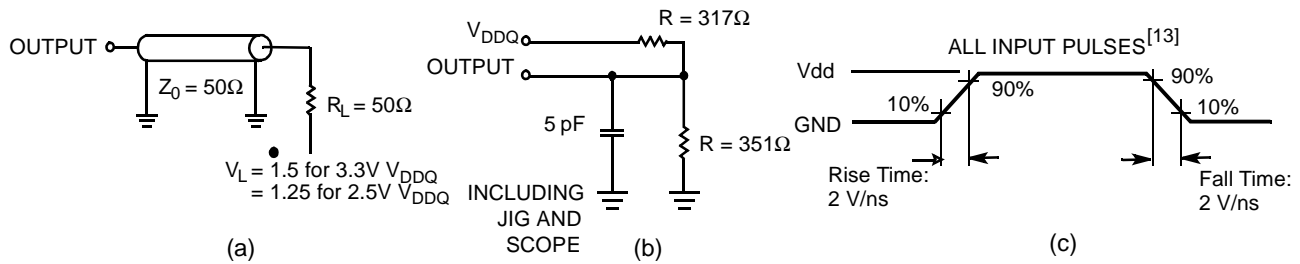
Shaded area contains advance information.

**Notes:**

- 11. T<sub>A</sub> is the ambient temperature.
- 12. Minimum voltage equals -2.0V for pulse durations of less than 20 ns.

**Capacitance<sup>[14]</sup>**

Parameter	Description	Test Conditions	Max.	Unit
C <sub>IN</sub>	Input Capacitance	T <sub>A</sub> = 25°C, f = 1 MHz, V <sub>DD</sub> = V <sub>DDQ</sub> = 3.3V	TBD	pF
C <sub>CLK</sub>	Clock Input Capacitance		TBD	pF
C <sub>I/O</sub>	Input/Output Capacitance		TBD	pF

**AC Test Loads and Waveforms**

**Thermal Resistance<sup>[14]</sup>**

Parameter	Description	Test Conditions	BGA Typ.	TQFP Typ.	Unit
Q <sub>JA</sub>	Thermal Resistance (Junction to Ambient)	Still Air, soldered on a 4.25 x 1.125 inch, 4-layer printed circuit board	TBD	TBD	°C/W
Q <sub>JC</sub>	Thermal Resistance (Junction to Case)		TBD	TBD	°C/W

**Switching Characteristics Over the Operating Range**

Parameter	Description	-150		-133		-117		-100		Unit
		Min.	Max.	Min.	Max.	Min.	Max.	Min.	Max.	
<b>Clock</b>										
t <sub>CYC</sub>	Clock Cycle Time	6.7		7.5		8.5		10		ns
F <sub>MAX</sub>	Maximum Operating Frequency		150		133		117		100	MHz
t <sub>CH</sub>	Clock HIGH	2.5		2.5		2.8		3.0		ns
t <sub>CL</sub>	Clock LOW	2.5		2.5		2.8		3.0		ns
<b>Output Times</b>										
t <sub>CDV</sub>	Data Output Valid After CLK Rise		5.5		6.5		7.5		8.5	ns
t <sub>EOV</sub>	OE LOW to Output Valid <sup>[14, 16, 18]</sup>		2.5		3.0		3.4		3.8	ns
t <sub>DOH</sub>	Data Output Hold After CLK Rise	2.5		2.5		2.5		2.5		ns
t <sub>CHZ</sub>	Clock to High-Z <sup>[14, 15, 16, 17, 18]</sup>		3.5		3.8		4.0		4.5	ns
t <sub>CLZ</sub>	Clock to Low-Z <sup>[14, 15, 16, 17, 18]</sup>	2.5		3.0		3.0		3.0		ns
t <sub>EOHZ</sub>	OE HIGH to Output High-Z <sup>[15, 16, 18]</sup>		2.5		3.0		3.5		4	ns
t <sub>EOLZ</sub>	OE LOW to Output Low-Z <sup>[15, 16, 18]</sup>	0		0		0		0		ns
<b>Set-up Times</b>										
t <sub>AS</sub>	Address Set-up Before CLK Rise	1.5		1.5		1.5		1.5		ns

Shaded areas contain advance information.

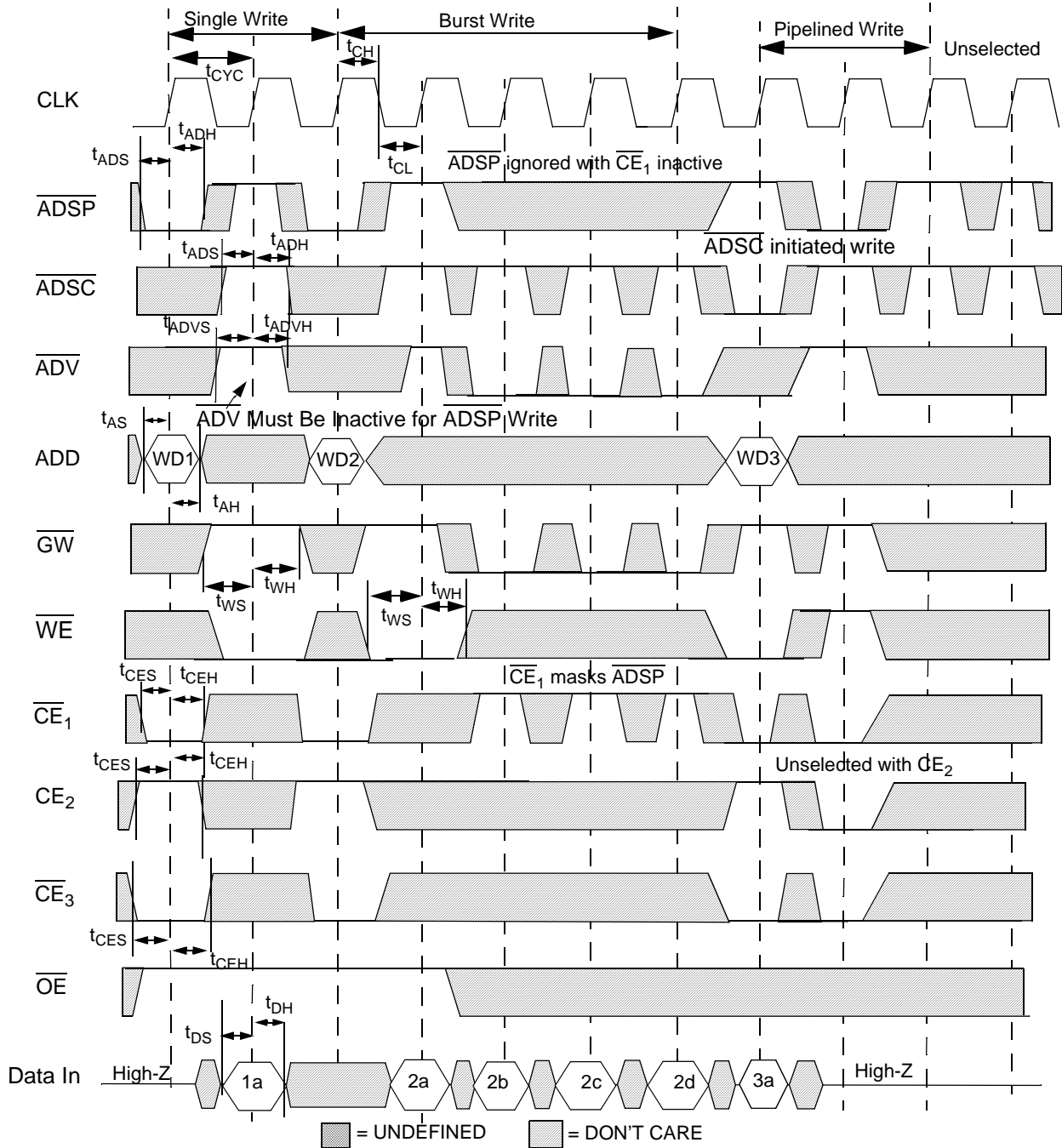
**Notes:**

- Input waveform should have a slew rate of  $\geq 2$  V/ns.
- Tested initially and after any design or process change that may affect these parameters.
- Unless otherwise noted, test conditions assume signal transition time of 1.5ns, timing reference levels of 1.75V, input pulse levels of 0 to 3.3V, and output loading of the specified I<sub>OL</sub>/I<sub>OH</sub> and load capacitance. Shown in (a), (b) and (c) of AC Test Loads.
- t<sub>CHZ</sub>, t<sub>CLZ</sub>, t<sub>EOV</sub>, t<sub>EOLZ</sub>, and t<sub>EOHZ</sub> are specified with AC test conditions shown in part (a) of AC Test Loads. Transition is measured  $\pm 200$  mV from steady-state voltage.
- At any given voltage and temperature, t<sub>EOHZ</sub> is less than t<sub>EOLZ</sub> and t<sub>CHZ</sub> is less than t<sub>CLZ</sub> to eliminate bus contention between SRAMs when sharing the same data bus. These specifications do not imply a bus contention condition, but reflect parameters guaranteed over worst case user conditions. Device is designed to achieve High-Z prior to Low-Z under the same system conditions.
- This parameter is sampled and not 100% tested.

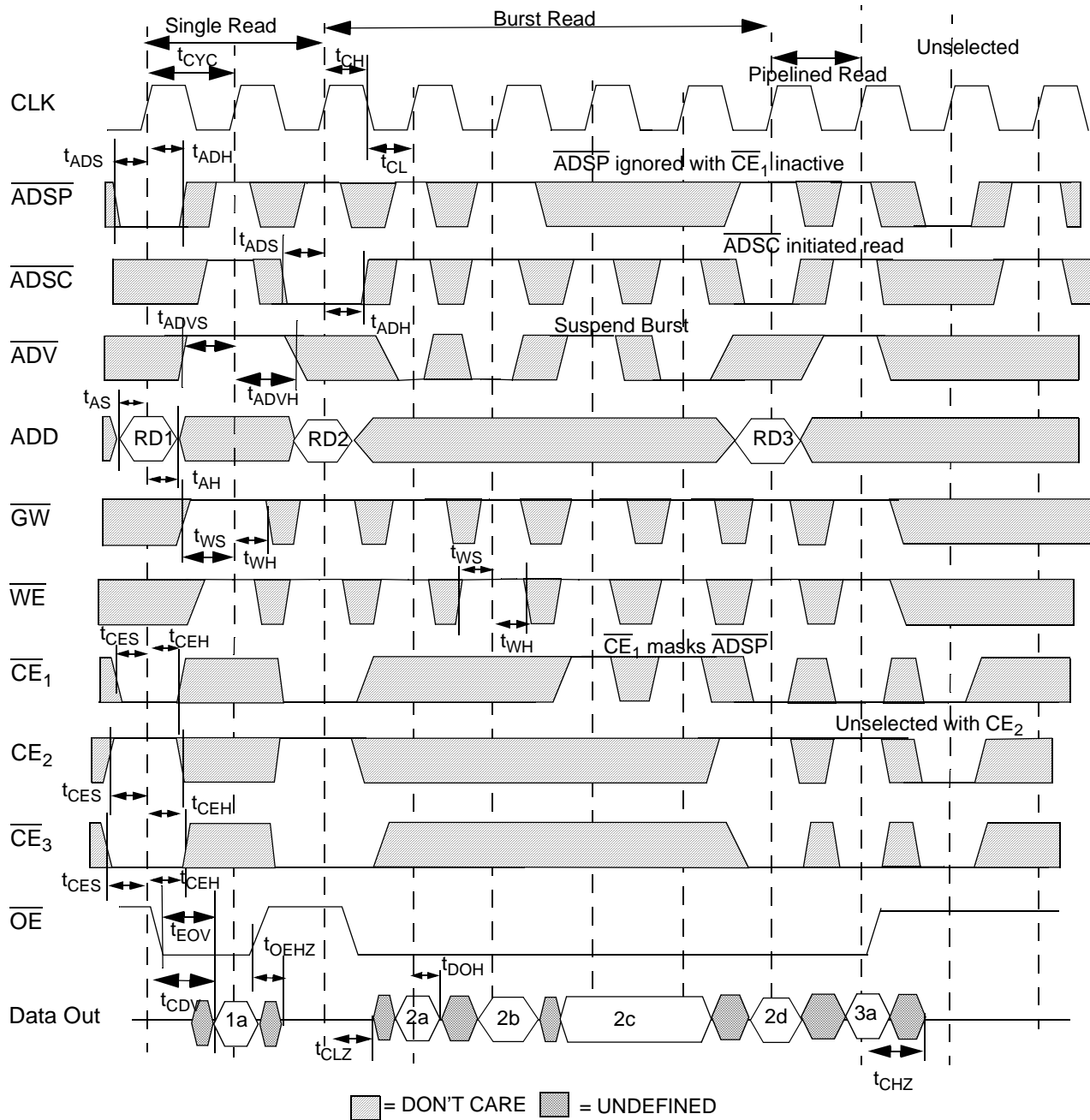


**Switching Characteristics** Over the Operating Range (continued)

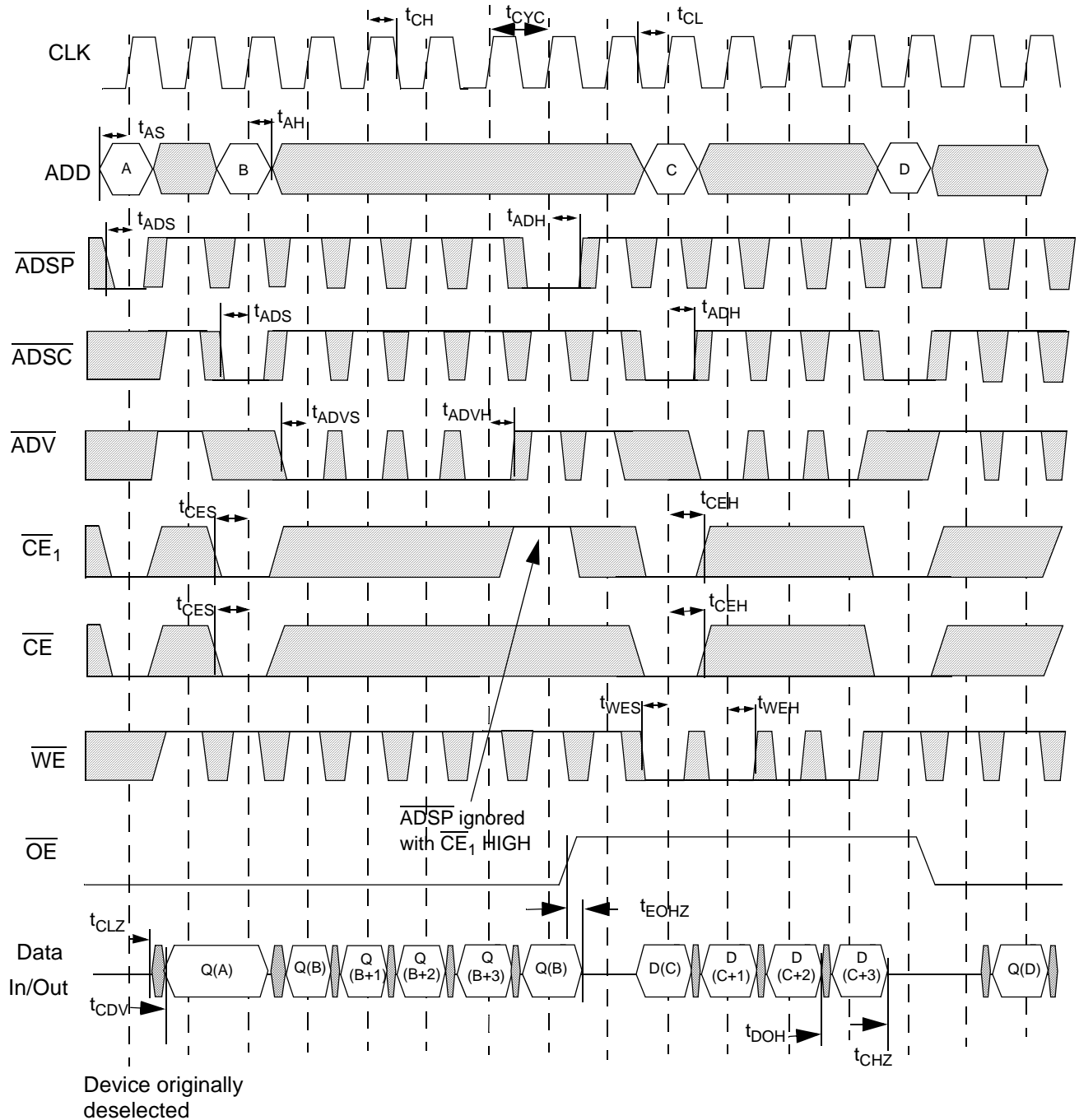
Parameter	Description	-150		-133		-117		-100		Unit
		Min.	Max.	Min.	Max.	Min.	Max.	Min.	Max.	
t <sub>DS</sub>	Data Input Set-up Before CLK Rise	1.5		1.5		1.5		1.5		ns
t <sub>ADS</sub>	ADSP, ADSC Set-up Before CLK Rise	1.5		1.5		1.5		1.5		ns
t <sub>WES</sub>	BWE, GW, BW <sub>x</sub> Set-up Before CLK Rise	1.5		1.5		1.5		1.5		ns
t <sub>ADVS</sub>	ADV Set-up Before CLK Rise	1.5		1.5		1.5		1.5		ns
t <sub>CES</sub>	Chip Select Set-up	1.5		1.5		1.5		1.5		ns
<b>Hold Times</b>										
t <sub>AH</sub>	Address Hold After CLK Rise	0.5		0.5		0.5		0.5		ns
t <sub>DH</sub>	Data Input Hold After CLK Rise	0.5		0.5		0.5		0.5		ns
t <sub>ADH</sub>	ADSP, ADSC Hold After CLK Rise	0.5		0.5		0.5		0.5		ns
t <sub>WEH</sub>	BWE, GW, BW <sub>x</sub> Hold After CLK Rise	0.5		0.5		0.5		0.5		ns
t <sub>ADVH</sub>	ADV Hold after CLK Rise	0.5		0.5		0.5		0.5		ns
t <sub>CEH</sub>	Chip Select Hold After CLK Rise	0.5		0.5		0.5		0.5		ns

**Switching Waveforms**  
**Write Cycle Timing<sup>[19,20]</sup>**

**Notes:**

19.  $\overline{WE}$  is the combination of  $\overline{BWE}$ ,  $\overline{BWx}$ , and  $\overline{GW}$  to define a write cycle (see Write Cycle Descriptions table).
20.  $WDx$  stands for Write Data to Address X.

**Switching Waveforms** (continued)  
**Read Cycle Timing**<sup>[19, 21]</sup>


**Note:**  
 21. RDx stands for Read Data from Address X.

**Switching Waveforms (continued)**
**Read/Write Timing**


$\overline{WE}$  is the combination of  $\overline{BWE}$ ,  $\overline{BWx}$ , and  $\overline{GW}$  to define a write cycle (see Write Cycle Description table).  
 $\overline{CE}$  is the combination of  $\overline{CE_2}$  and  $\overline{CE_3}$ . All chip selects need to be active in order to select the device. RAX stands for Read Address X, WAX stands for Write Address X, Dx stands for Data-in X, Qx stands for Data-out X.

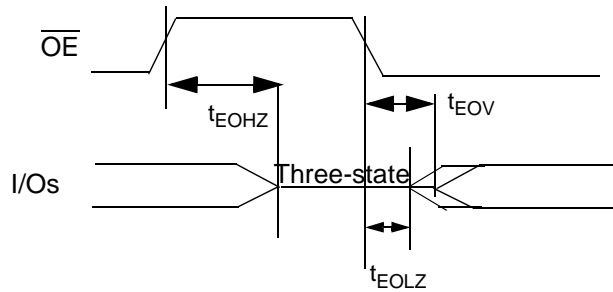
□ = DON'T CARE    ■ = UNDEFINED

**Notes:**

- 22. Device originally deselected.
- 23.  $\overline{CE}$  is the combination of  $\overline{CE_2}$  and  $\overline{CE_3}$ . All chip selects need to be active in order to select the device.



**Switching Waveforms** (continued)

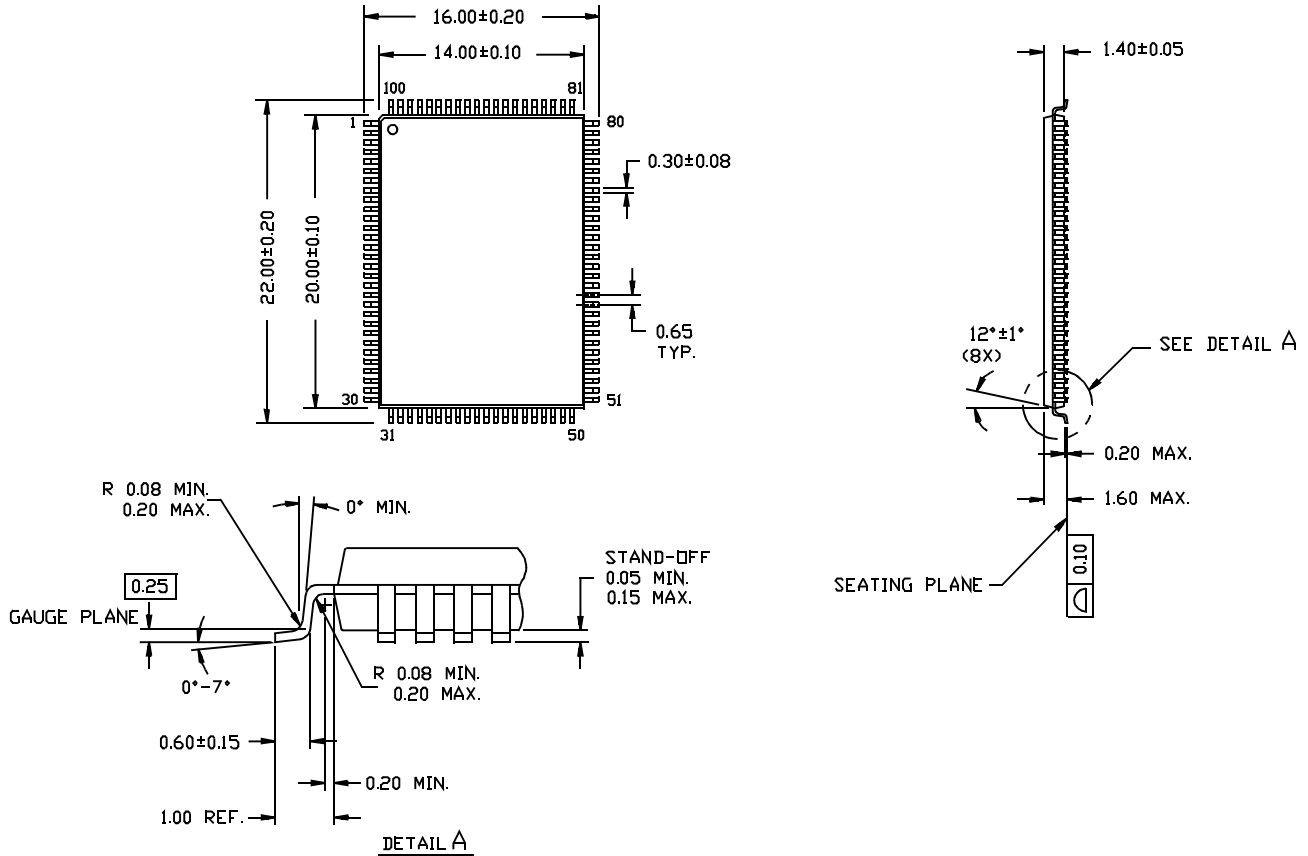
**OE Timing**

**Ordering Information**

Speed (MHz)	Ordering Code	Package Name	Package Type	Operating Range
150	CY7C1481V33-150AC CY7C1483V33-150AC	A101	100-Lead 14 x 20 x 1.4 mm Thin Quad Flat Pack	Commercial
	CY7C1481V33-150BGC CY7C1483V33-150BGC	BG119	119-Ball BGA (14 x 22 x 2.4 mm)	
	CY7C1481V33-150BZC CY7C1483V33-150BZC	BB165C	165-Ball FBGA (15 x 17 mm)	
	CY7C1487V33-150BGC	BG209	209-Ball BGA (14 x 22 x 2.2mm)	
133	CY7C1481V33-133AC CY7C1483V33-133AC	A101	100-Lead 14 x 20 x 1.4 mm Thin Quad Flat Pack	
	CY7C1481V33-133BGC CY7C1483V33-133BGC	BG119	119-Ball BGA (14 x 22 x 2.4 mm)	
	CY7C1481V33-133BZC CY7C1483V33-133BZC	BB165C	165-Ball FBGA (15 x 17 mm)	
	CY7C1487V33-133BGC	BG209	209-Ball BGA (14 x 22 x 2.2mm)	
117	CY7C1481V33-117AC CY7C1483V33-117AC	A101	100-Lead 14 x 20 x 1.4 mm Thin Quad Flat Pack	
	CY7C1481V33-117BGC CY7C1483V33-117BGC	BG119	119-Ball BGA (14 x 22 x 2.4 mm)	
	CY7C1481V33-117BZC CY7C1483V33-117BZC	BB165C	165-Ball FBGA (15 x 17 mm)	
	CY7C1487V33-117BGC	BG209	209-Ball BGA (14 x 22 x 2.2mm)	
100	CY7C1481V33-100AC CY7C1483V33-100AC	A101	100-Lead 14 x 20 x 1.4 mm Thin Quad Flat Pack	
	CY7C1481V33-100BGC CY7C1483V33-100BGC	BG119	119-Ball BGA (14 x 22 x 2.4 mm)	
	CY7C1481V33-100BZC CY7C1483V33-100BZC	BB165C	165-Ball FBGA (15 x 17 mm)	
	CY7C1487V33-100BGC	BG209	209-Ball BGA (14 x 22 x 2.2mm)	

Package Diagrams

100-pin Thin Plastic Quad Flatpack (14 x 20 x 1.4 mm) A101

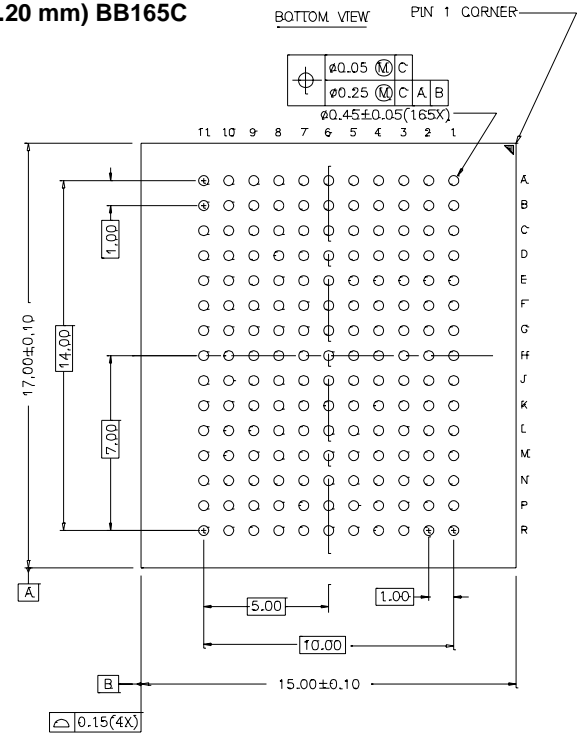
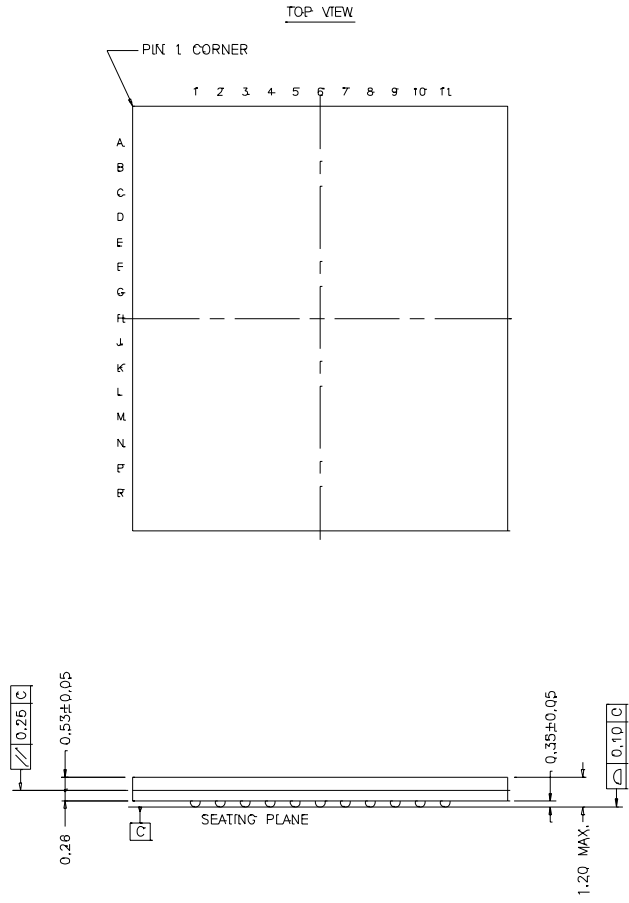
DIMENSIONS ARE IN MILLIMETERS.



51-85050-A

Package Diagrams (continued)

165-Ball FBGA (15 x 17 x 1.20 mm) BB165C

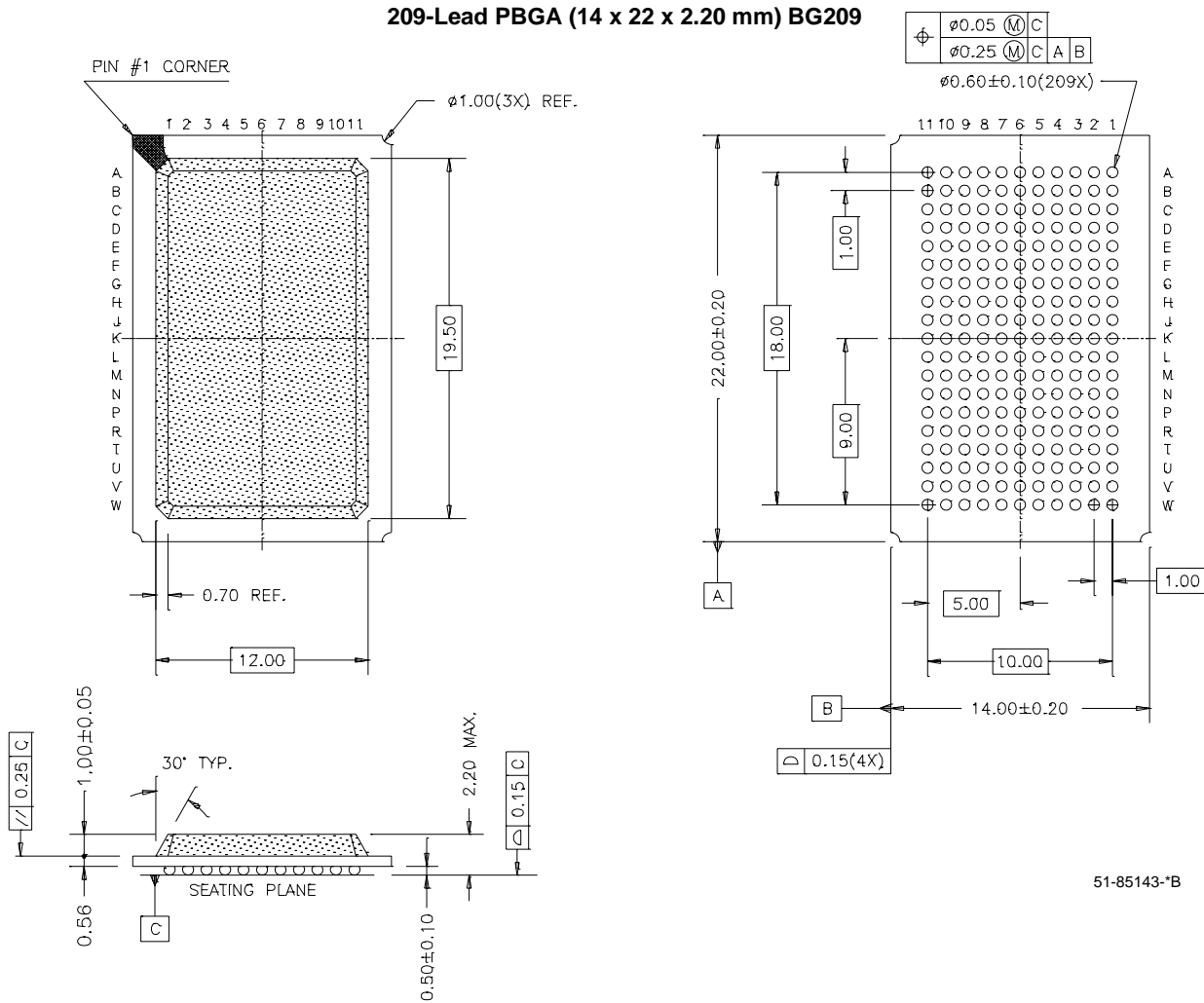


51-85165-\*\*



Package Diagrams (continued)

209-Lead PBGA (14 x 22 x 2.20 mm) BG209



51-85143-B

All product and company names mentioned in this document are the trademarks of their respective holders.



**PRELIMINARY**

**CY7C1481V33  
CY7C1483V33  
CY7C1487V33**

**Document History Page**

<b>Document Title: CY7C1481V33/CY7C1483V33/CY7C1487V33 2M x 36/4M x 18/1M x 72 Flow-through SRAM</b>				
<b>Document Number: 38-05284</b>				
<b>REV.</b>	<b>ECN NO.</b>	<b>Issue Date</b>	<b>Orig. of Change</b>	<b>Description of Change</b>
**	114671	08/12/02	PKS	New Data Sheet
*A	118283	01/27/03	HGK	Updated Ordering Information Updated the features for package offering Changed from Advance Information to Preliminary