



5V/3.3V HIGH-SPEED DIFFERENTIAL RECEIVER

ECL Pro™
SY10EP16V

FEATURES

- Faster version of the SY10EL16V
- Guaranteed AC performance over temperature and supply voltage:
 - DC to 3GHz clock throughput
 - <180ps tr/ft time
- Internal 75kΩ input pulldown resistor
- Improved output waveform characteristics
- 10K ECL compatible I/O
- Available in small 8-pin (3mm) MSOP and SOIC packages



ECL Pro™

DESCRIPTION

The SY10EP16V is a high-speed differential receiver. The device is functionally equivalent to the EL16V devices, with higher performance capabilities. With output transition times significantly faster than the EL16V, the SY10EP16V is ideally suited for interfacing with high-frequency sources.

The SY10EP16V provides a V_{BB} output for either single-ended use or as a DC bias for AC coupling to the device. The V_{BB} pin should be used only as a bias for the SY10EP16V as its current sink/source capability is limited. Whenever used, the V_{BB} pin should be bypassed to the most positive supply voltage (V_{CC} for LVPECL applications) via a 0.01μF capacitor.

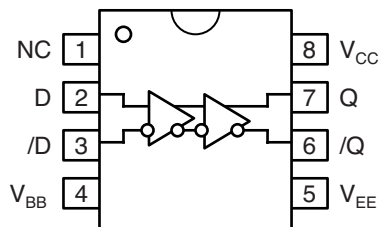
Under open input conditions (pulled to V_{EE}), internal input clamps will force the Q output LOW.

All support documentation can be found on Micrel's web site at www.micrel.com.

PIN NAMES

Pin	Function
D, /D	ECL Data Inputs
Q, /Q	ECL Data Outputs
V_{BB}	Reference Voltage Output
V_{CC}	Positive Power Supply
V_{EE}	Negative Power Supply

PACKAGE/ORDERING INFORMATION



Available in 8-Pin SOIC and MSOP Packages

Ordering Information⁽¹⁾

Part Number	Package Type	Operating Range	Package Marking	Lead Finish
SY10EP16VZC	Z8-1	Commercial	HEP16	Sn-Pb
SY10EP16VZCTR ⁽²⁾	Z8-1	Commercial	HEP16	Sn-Pb
SY10EP16VKC	K8-1	Commercial	HP16	Sn-Pb
SY10EP16VKCTR ⁽²⁾	K8-1	Commercial	HP16	Sn-Pb
SY10EP16VZI	Z8-1	Industrial	HEP16	Sn-Pb
SY10EP16VZITR ⁽²⁾	Z8-1	Industrial	HEP16	Sn-Pb
SY10EP16VKI	K8-1	Industrial	HP16	Sn-Pb
SY10EP16VKITR ^(2, 3)	K8-1	Industrial	HP16	Sn-Pb
SY10EP16VZG ⁽³⁾	Z8-1	Industrial	HEP16 with Pb-Free bar-line indicator	Pb-Free NiPdAu
SY10EP16VZGTR ^(2, 3)	Z8-1	Industrial	HEP16 with Pb-Free bar-line indicator	Pb-Free NiPdAu
SY10EP16VKG ⁽³⁾	K8-1	Industrial	HP16 with Pb-Free bar-line indicator	Pb-Free NiPdAu
SY10EP16VKGTR ^(2, 3)	K8-1	Industrial	HP16 with Pb-Free bar-line indicator	Pb-Free NiPdAu

Notes:

1. Contact factory for die availability. Dice are guaranteed at T_A = 25°C, DC Electricals only.
2. Tape and Reel.
3. Pb-Free package is recommended for new designs.

ABSOLUTE MAXIMUM RATINGS⁽¹⁾

Symbol	Rating	Value	Unit
V _{EE}	Power Supply Voltage (V _{CC} = 0)	-6.0 to 0	Vdc
V _{CC}	Power Supply Voltage (V _{EE} = 0)	+6.0 to 0	Vdc
V _{IN}	Input Voltage (V _{CC} = 0V, V _{IN} not more negative than V _{EE}) Input Voltage (V _{EE} = 0V, V _{IN} not more negative than V _{CC})	-6.0 to 0 +6.0 to 0	Vdc Vdc
I _{OUT}	Output Current -Continuous -Surge	50 100	mA
I _{BB}	V _{BB} Sink/Source Current ⁽²⁾	±0.5	mA
T _{LEAD}	Lead Temperature (soldering, 20sec.)	+260	°C
T _A	Operating Temperature Range	-40 to +85	°C
T _{store}	Storage Temperature Range	-65 to +150	°C

Note :

1. Permanent device damage may occur if absolute maximum ratings are exceeded. This is a stress rating only and functional operation is not implied at conditions other than those detailed in the operational sections of this data sheet. Exposure to absolute maximum rating conditions for extended periods may affect device reliability.

DC ELECTRICAL CHARACTERISTICS⁽¹⁾

V_{CC} = 0V; V_{EE} = -5.5V to -3.0V; V_{CC} = 3.0V to 5.5V, V_{EE} = 0V⁽⁵⁾

Symbol	Parameter	T _A = -40°C		T _A = +25°C			T _A = +85°C		Unit
		Min.	Max.	Min.	Typ.	Max.	Min.	Max.	
I _{EE}	Power Supply Current ⁽²⁾	—	42	—	—	42	—	42	mA
V _{OH}	Output HIGH Voltage ⁽³⁾	V _{CC} -1080	V _{CC} -0890	V _{CC} -0980	—	V _{CC} -0810	V _{CC} -0910	V _{CC} -0720	mV
V _{OL}	Output LOW Voltage ⁽³⁾	V _{CC} -1950	V _{CC} -1650	V _{CC} -1950	—	V _{CC} -1630	V _{CC} -1950	V _{CC} -1595	mV
V _{IH}	Input HIGH Voltage	V _{CC} -1230	V _{CC} -0890	V _{CC} -1130	—	V _{CC} -0810	V _{CC} -1060	V _{CC} -0720	mV
V _{IL}	Input LOW Voltage	V _{CC} -1950	V _{CC} -1500	V _{CC} -1950	—	V _{CC} -1480	V _{CC} -1950	V _{CC} -1445	mV
V _{BB}	Output Reference Voltage	V _{CC} -1430	V _{CC} -1300	V _{CC} -1350	—	V _{CC} -1250	V _{CC} -1310	V _{CC} -1190	mV
V _{IHCMR}	Input HIGH Voltage Common Mode Range ⁽⁴⁾	V _{EE} +2.0	V _{CC} -0.4	V _{EE} +2.0	—	V _{CC} -0.4	V _{EE} +2.0	V _{CC} -0.4	V
I _{IH}	Input HIGH Current	—	150	—	—	150	—	150	μA
I _{IL}	Input LOW Current	0.5	—	0.5	—	—	0.5	—	μA

Notes:

1. 10EP circuits are designed to meet the DC specifications shown in the above table after thermal equilibrium has been established. The circuit is in a test socket or mounted on a printed circuit board and traverse airflow greater than 500lfpm is maintained.
2. V_{CC} = 0V, V_{EE} = V_{EE}(min.) to V_{EE}(max.), all other pins floating.
3. All loading with 50Ω to V_{CC} - 2.0V.
4. V_{IHCMR}(min.) varies 1:1 with V_{EE}, Max. varies 1:1 with V_{CC}.
5. Input and output parameters vary 1:1 with V_{CC}.

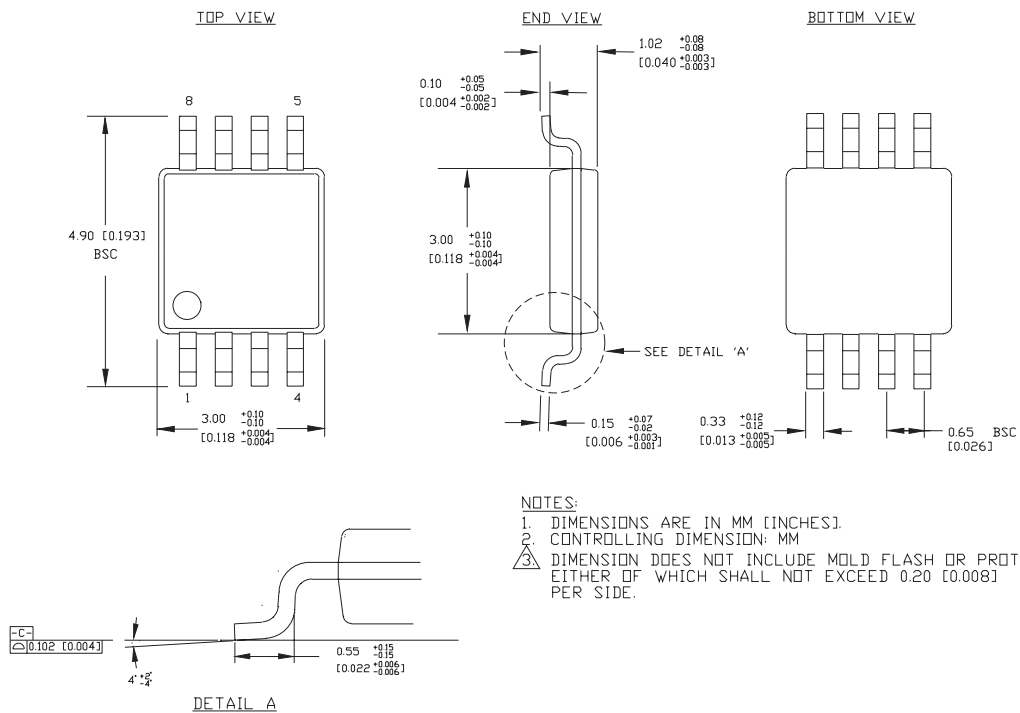
AC ELECTRICAL CHARACTERISTICS $V_{CC} = 0V$; $V_{EE} = -5.5V$ to $-3.0V$; $V_{CC} = 3.0V$ to $5.5V$, $V_{EE} = 0V$

Symbol	Parameter	$T_A = -40^\circ\text{C}$		$T_A = +25^\circ\text{C}$			$T_A = +85^\circ\text{C}$		Unit
		Min.	Max.	Min.	Typ.	Max.	Min.	Max.	
f_{MAX}	Maximum Toggle Frequency ⁽¹⁾	—	—	—	3	—	—	—	GHz
t_{PLH} t_{PHL}	Propagation Delay to Output Differential ⁽²⁾ D→Q, /Q	100	300	150	200	250	200	300	ps
t_{SKEW}	Device Skew	—	—	—	5.0	20	—	20	ps
t_r t_f	Output Rise/Fall Times (20% to 80%) Q	60	180	60	110	180	70	180	ps

Notes:

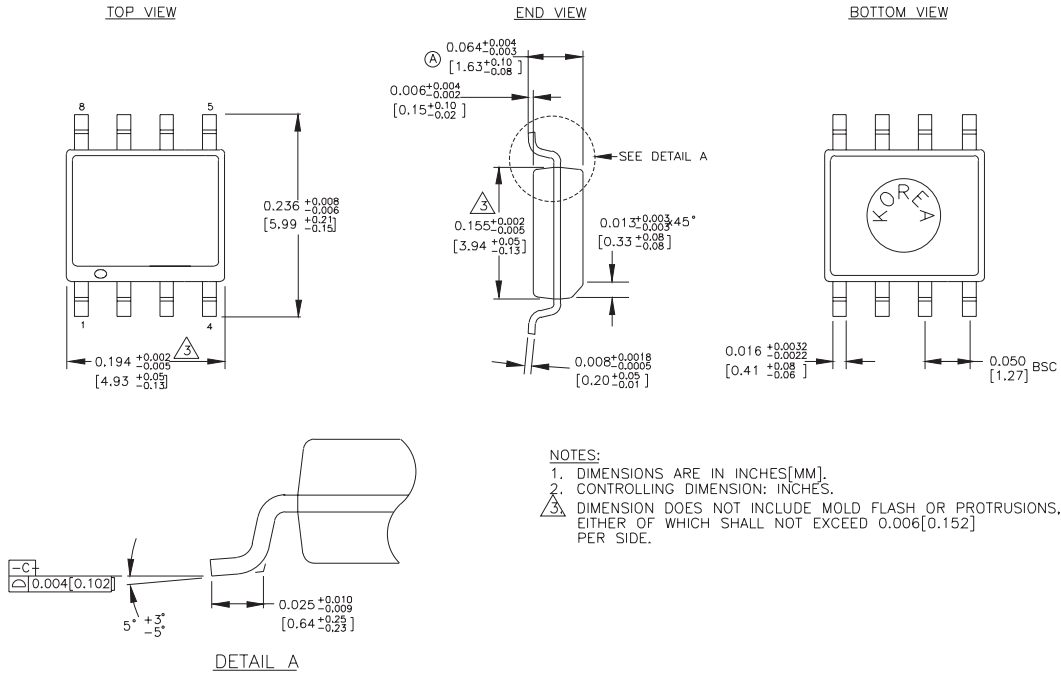
- f_{MAX} guaranteed for functionality only. V_{OL} and V_{OH} levels are guaranteed at DC only.
- $V_{IN} = 800\text{mV}$.

8-PIN MSOP (K8-1)



Rev.01

8-PIN PLASTIC SOIC (Z8-1)



Rev. 03

MICREL, INC. 2180 FORTUNE DRIVE SAN JOSE, CA 95131 USA

TEL + 1 (408) 944-0800 FAX + 1 (408) 474-1000 WEB <http://www.micrel.com>

The information furnished by Micrel in this datasheet is believed to be accurate and reliable. However, no responsibility is assumed by Micrel for its use. Micrel reserves the right to change circuitry and specifications at any time without notification to the customer.

Micrel Products are not designed or authorized for use as components in life support appliances, devices or systems where malfunction of a product can reasonably be expected to result in personal injury. Life support devices or systems are devices or systems that (a) are intended for surgical implant into the body or (b) support or sustain life, and whose failure to perform can be reasonably expected to result in a significant injury to the user. A Purchaser's use or sale of Micrel Products for use in life support appliances, devices or systems is at Purchaser's own risk and Purchaser agrees to fully indemnify Micrel for any damages resulting from such use or sale.

© 2005 Micrel, Incorporated.