

PLEASE CHECK WWW.MOLEX.COM FOR LATEST PART INFORMATION

Part Number: [0019091066](#)
Status: **Active**
Overview: [standard_093](#)
Description: 2.36mm (.093") Diameter Standard .093" Pin and Socket Receptacle Housing With Positive Latch, UL 94V-0, 6 Circuits

Documents:

[3D Model](#) [Drawing \(PDF\)](#)
[Packaging Specification \(PDF\)](#) [RoHS Certificate of Compliance \(PDF\)](#)

Agency Certification

CSA LR19980
TUV R72081037
UL E29179

General

Product Family Crimp Housings
Series [3191](#)
Comments Polarized to Mating Part, With Mounting Ears
Overview [standard_093](#)
Product Name Standard .093"

Physical

Breakaway No
Circuits (maximum) 6
Circuits Detail 2x3
Color - Resin Natural
Flammability 94V-0
Gender Dual
Glow-Wire Compliant No
Keying to Mating Part None
Lock to Mating Part Yes
Material - Resin Nylon
Number of Rows 2
Packaging Type Bag
Panel Mount No
Pitch - Mating Interface (in) 0.264 In
Pitch - Mating Interface (mm) 6.71 mm
Polarized to Mating Part Yes
Stackable No
Temperature Range - Operating -40°C to +105°C

Electrical

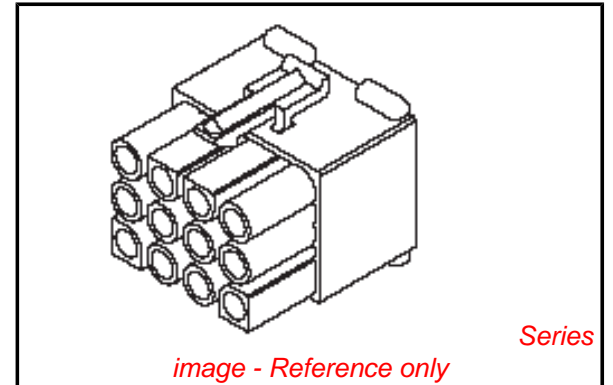
Current - Maximum per Contact 9A

Material Info

Old Part Number 3191-6R1-201

Reference - Drawing Numbers

Packaging Specification PK-3191-001
Sales Drawing SD-3191-6*



EU RoHS

**ELV and RoHS
Compliant
REACH SVHC
Not Reviewed
Halogen-Free
Status
Not Reviewed**

China RoHS



Need more information on product environmental compliance?

Email productcompliance@molex.com
For a multiple part number RoHS Certificate of Compliance, [click here](#)

Please visit the [Contact Us](#) section for any non-product compliance questions.

Search Parts in this Series

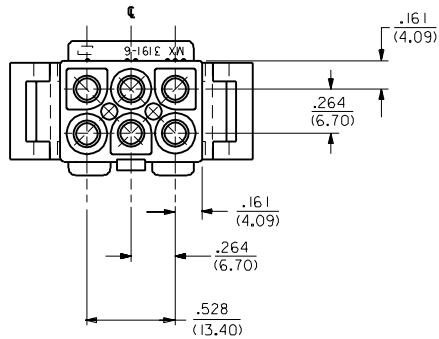
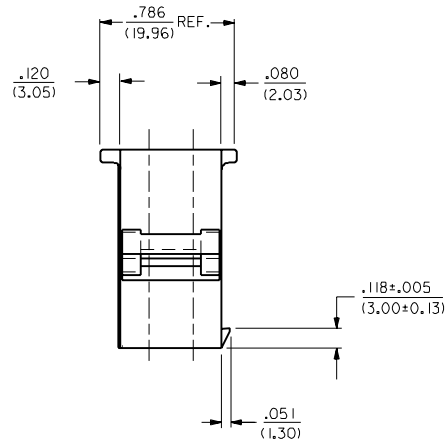
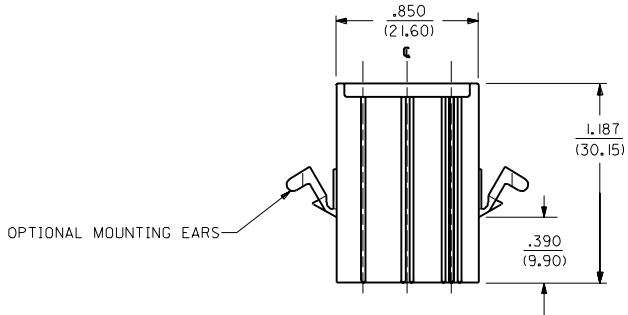
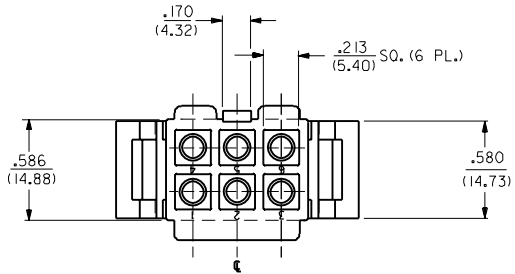
[3191Series](#)

Mates With

[3191](#) Pin and Socket Plug, [5219](#) Vertical PCB Header

Use With

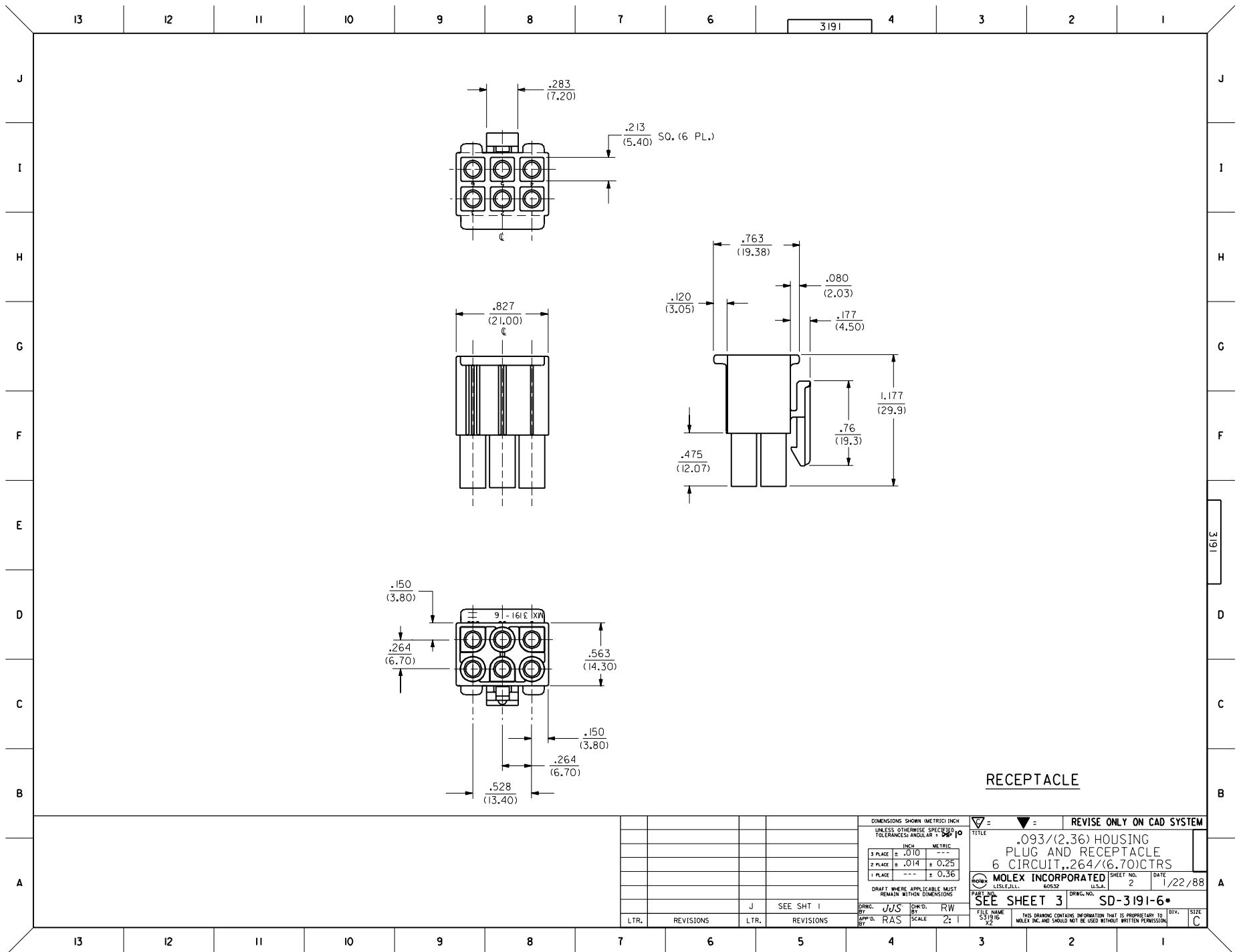
[1189](#) Crimp Terminals, [1190](#) Crimp Terminals, [1380](#) Male Crimp Terminals, [1381](#) Female Crimp Terminals, [1433](#) Crimp Terminals, [1434](#) Male Crimp Terminals, [2605](#) , [2606](#) , [1973](#) , [2151](#) , [2273](#) , [2870](#) , [2871](#) , [4272](#) , Lin



PLUG

MI	ADD RAMP LENGTH ECN #U4 0293 3-1-94 RW
M	REVISED PER ECR # U90659 KBW 07-25-89 RW
L	ADDED STANDOFFS PER ECR UB 2271 GEP 11-30-88 RW
K	REV. & FINAL REL. ECR UB 1710 GEP 7-14-88 RW
J	REVISED & REDRAWN PER ECR UB 0122 2-2-88 SCHAFFER
MFG.	SH. REV. LTR. REVISIONS

DIMENSIONS SHOWN METRIC (INCH)		▽ = 0	▼ = 0	REVISE ONLY ON CAD SYSTEM
UNLESS OTHERWISE SPECIFIED TOLERANCES ANGULAR ± 0°		TITLE		
INCH METRIC		.093/(2.36) HOUSING PLUG AND RECEPTACLE 6 CKT. .264/(6.70) CTRS.		
3 PLACE ± .010 ---	---	MOLEX INCORPORATED SHEET NO. DATE		
2 PLACE ± .014 ± 0.25	---	L15LEJLL. 60532 U.S.A. 1 OF 3 1/25/88		
1 PLACE --- ± 0.36	---	PART NO. DRWG. NO.		
DRAFT WHERE APPLICABLE MUST REMAIN WITHIN DIMENSIONS		SEE CHART SD-3191-6*		
DRWG. BY JUS	CHKD. BY RW	FILE NAME	REV.	SIZE
APP'D. RAS	SCALE 2 : 1	S31916.X1	---	CP C
THIS DRAWING CONTAINS INFORMATION THAT IS PROPRIETARY TO MOLEX INC. AND SHOULD NOT BE USED WITHOUT WRITTEN PERMISSION.				



RECEPTACLE

DIMENSIONS SHOWN (METRIC) INCH
UNLESS OTHERWISE SPECIFIED
TOLERANCES ANGULAR .01°

	INCH	METRIC
3 PLACE	± .010	---
2 PLACE	± .014	± 0.25
1 PLACE	---	± 0.36

DRAFT WHERE APPLICABLE MUST REMAIN WITHIN DIMENSIONS

DRWG. BY: JUS
APP'D. BY: RAS
CHK'D. BY: RW
SCALE: 2:1

REVISE ONLY ON CAD SYSTEM

TITLE
.093/(2.36) HOUSING
PLUG AND RECEPTACLE
6 CIRCUIT, .264/(6.70) CTRS

MOLEX INCORPORATED
LITTLE ROCK, AR 60532 U.S.A.
SHEET NO. 2 DATE 1/22/88

PART NO. SEE SHEET 3
DRWG. NO. SD-3191-6*

FILE NAME: 531916.XZ
THIS DRAWING CONTAINS INFORMATION THAT IS PROPRIETARY TO MOLEX INC. AND SHOULD NOT BE USED WITHOUT WRITTEN PERMISSION.
DYN. SIZE C

LTR.	REVISIONS	LTR.	REVISIONS
		J	SEE SHT 1

