

PLEASE CHECK WWW.MOLEX.COM FOR LATEST PART INFORMATION

Part Number: [0940304030](#)
Status: **Active**
Description: Quick Disconnect, Female, for 1.00-2.50mm² (14-16 AWG) wire, Accepts 4.75mm (.187") x 0.81mm (.032") Tab

Documents:

[Drawing \(PDF\)](#) [RoHS Certificate of Compliance \(PDF\)](#)

General

Product Family	Quick Disconnects
Series	94030
Crimp Quality Equipment	Yes
Product Name	N/A
Type	Quick Disconnect

Physical

Barrel Type	Open
Gender	Female
Glow-Wire Compliant	No
Insulation	None
Lock to Mating Part	None
Material - Metal	Brass
Material - Plating Mating	Unplated
Orientation	Straight
Packaging Type	Reel
Polarized to Mating Part	Yes
Tab Thickness	0.81mm (.032")
Tab Width	4.75mm (.187")
Temperature Range - Operating	80°C
Wire Insulation Diameter	2.70-4.30mm (.106-.169")
Wire Size AWG	14, 16
Wire Size mm ²	1.00-2.50

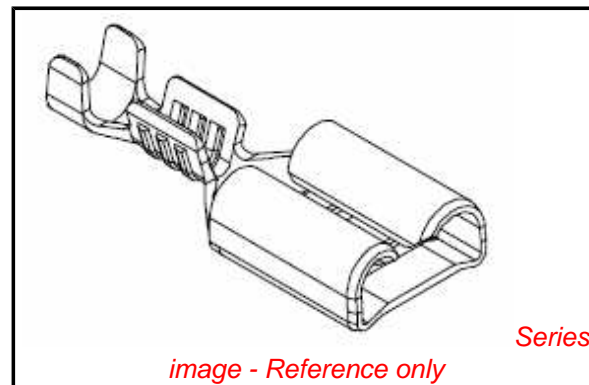
Electrical

Voltage - Maximum	250V
-------------------	------

Material Info

Reference - Drawing Numbers

Sales Drawing	SD-94030-403
---------------	--------------



EU RoHS

**ELV and RoHS
Compliant**
**REACH SVHC
Contains SVHC: No**
**Halogen-Free
Status**

China RoHS



**Need more information on product
environmental compliance?**

Email productcompliance@molex.com
 For a multiple part number RoHS Certificate of
 Compliance, [click here](#)

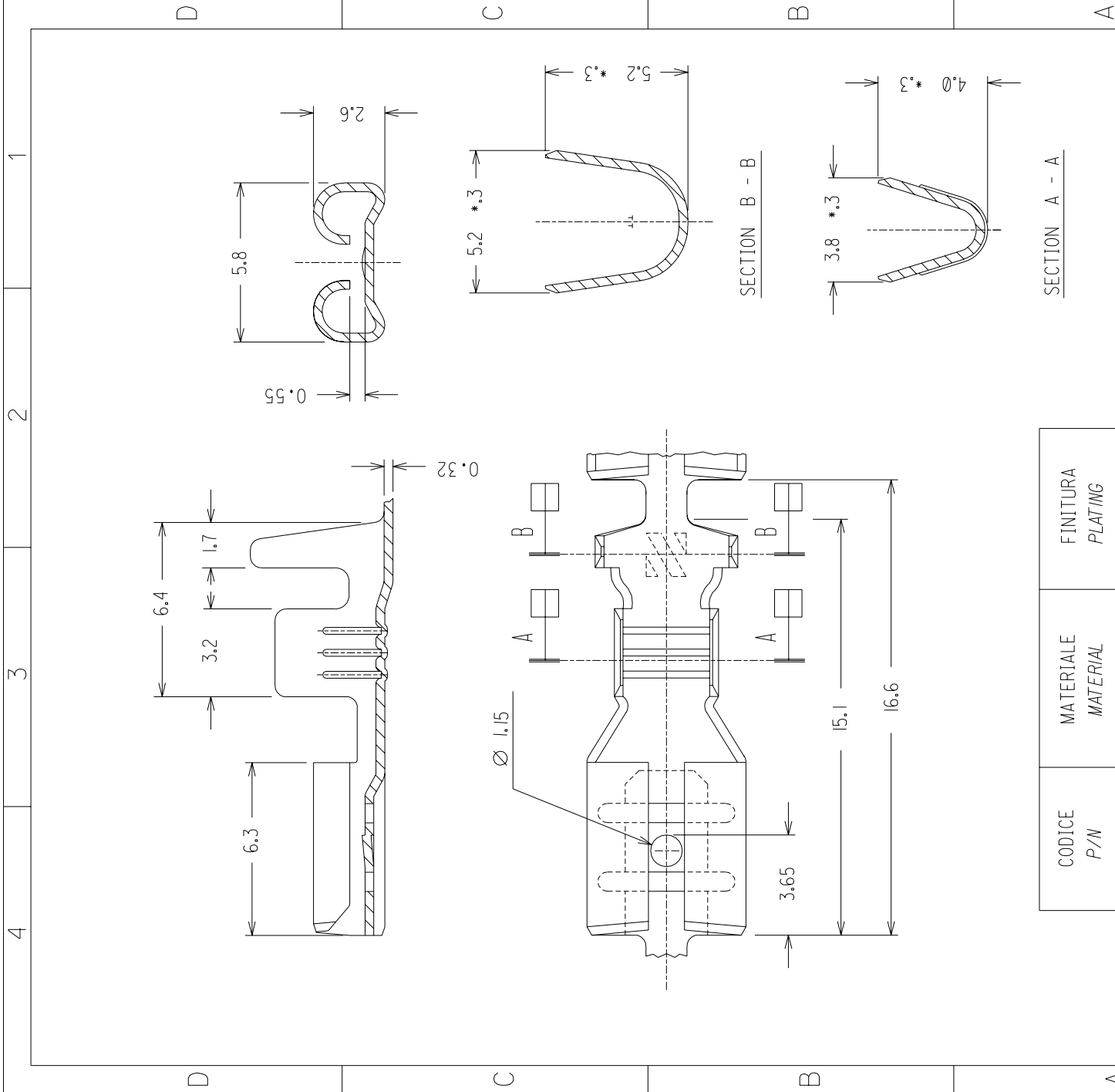
Please visit the [Contact Us](#) section for any
 non-product compliance questions.

Search Parts in this Series

94030Series

Use With

94095-6030 , 94095-6040



CODICE P/N	MATERIALE MATERIAL	FINITURA PLATING
94030-4030	OTTONE BRASS	GREGGIO/ PLAIN
94030-4031		STAGNATO/ TIN

EC N° : Z2004-0224
 GZUN 2004/04/28
 REVISIONS

DIMENSIONS SHOWN (METRIC) INCH	
UNLESS OTHERWISE SPECIFIED TOLERANCES ANGULAR $\pm 2^\circ$	
3 PLACE \pm	INCH (METRIC)
2 PLACE \pm	± 0.1
1 PLACE \pm	± 0.2
DESIGN DIMENSION (PRIMARY)	<input checked="" type="checkbox"/> (MM) <input type="checkbox"/> IN
EQUIVALENT DIMENSION (SECONDARY)	<input type="checkbox"/> (MM) <input type="checkbox"/> IN.

DRWG BY	F. Gottardo
CHK'D BY	
APP'D BY	
M. Previato	
SCALE	5 : 1

CAD/CAM FILENAME	THIS DRAWING CONTAINS INFORMATION THAT IS PROPRIETARY TO MOLEX INC AND SHOULD NOT BE USED WITHOUT WRITTEN PERMISSION		
CAD FILE	030403XS		
TITLE	CAPOCORDA FEMMINA PER MASCHIO 4.8 x 0.8 QIK KONNECT RECEPTACLE FOR 48 x 08 TABS		
SEZ. RAME/ WIRE RANGE:	1.0-2.5 mm ² — ISOLANTE/INS. RANGE: Ø 2.7-4.3 mm		
	MOLEX INCORPORATED		SHEET NO./DATE
PART NO.	VEDI TABELLA SEE CHART	DWG NO.	SD-94030-403
SIZE			A

REVISE ONLY ON CAD SYSTEM	SH.	REV.