

**PLEASE CHECK WWW.MOLEX.COM FOR LATEST PART INFORMATION**

**Part Number:** [0850132464](#)  
**Status:** **Active**  
**Overview:** [din\\_41612](#)  
**Description:** 2.54mm (.100") Pitch DIN 41612 Header, C-Pin Press-Fit Style R Reverse, 96 Circuits

**Documents:**

[Drawing \(PDF\)](#) [RoHS Certificate of Compliance \(PDF\)](#)  
[Product Specification PS-85013-0002 \(PDF\)](#)

**Agency Certification**

CSA LR19980  
 UL E29179

**General**

Product Family Backplane Connectors  
 Series [85013](#)  
 Application Daughtercard  
 Component Type PCB Header  
 Overview [din\\_41612](#)  
 Product Name IEC 603-2/DIN 41612  
 Style R

**Physical**

Circuits (Loaded) 96  
 Circuits (maximum) 96  
 Circuits Detail Rows A, B, & C  
 Durability (mating cycles max) 500  
 Flammability 94V-0  
 Guide to Mating Part No  
 Keying to Mating Part Yes  
 Number of Columns 32  
 Number of Pairs Open Pin Field  
 Number of Rows 3  
 Orientation Vertical  
 PCB Locator No  
 PCB Retention Yes  
 Packaging Type Tray  
 Pitch - Mating Interface (in) 0.100 In  
 Pitch - Mating Interface (mm) 2.54 mm  
 Pitch - Term. Interface (in) 0.100 In  
 Pitch - Term. Interface (mm) 2.54 mm  
 Surface Mount Compatible (SMC) No  
 Temperature Range - Operating -55°C to +125°C

**Electrical**

Current - Maximum per Contact 1A  
 Data Rate 622.0 Mbps  
 Real Signals (per 25mm) 6  
 Voltage - Maximum 1000V (RMS)

**Material Info**

**Reference - Drawing Numbers**

Product Specification PS-85013-0002  
 Sales Drawing 610-6043-201

**EU RoHS** **China RoHS**

**Compliance Status**

**Not Reviewed**

**REACH SVHC**

**Not Reviewed**

**Halogen-Free**

**Status**

**Not Reviewed**

**Need more information on product environmental compliance?**

Email [productcompliance@molex.com](mailto:productcompliance@molex.com)  
 For a multiple part number RoHS Certificate of Compliance, [click here](#)

Please visit the [Contact Us](#) section for any non-product compliance questions.

**Search Parts in this Series**

[85013Series](#)

**Mates With**

[85042](#) , [85052](#) Backplane Header

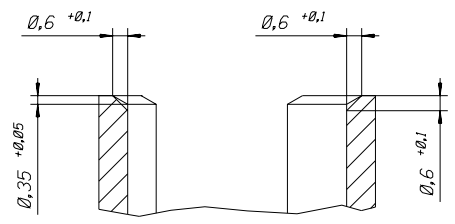
**Use With**

[85089-1079](#) Press-in Tool

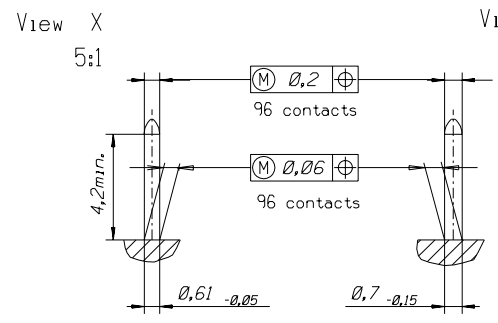
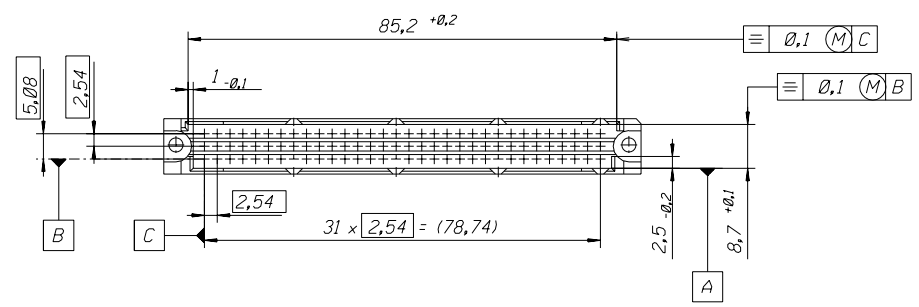
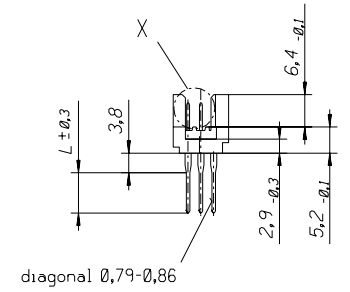
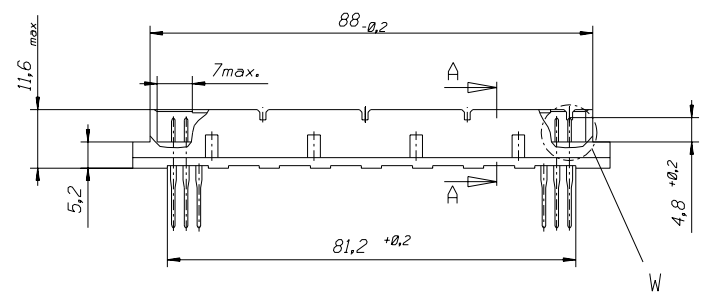
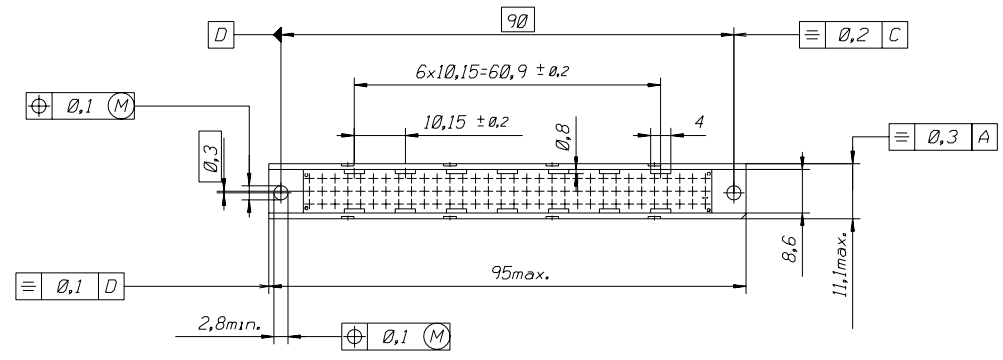
This document was generated on 05/17/2010

**PLEASE CHECK [WWW.MOLEX.COM](http://WWW.MOLEX.COM) FOR LATEST PART INFORMATION**

PART NO.  
DWG. NO.



section A-A  
5:1



View X  
5:1

View W  
5:1

FIRST ANGLE PROJECTION REVISE ONLY ON CAD SYSTEM SH. REV.

ECN MC2003-0052  
WM RELEASE 02-08-15 EF  
LTR REVISIONS  
FOR PREVIOUS REVISIONS SEE WRL LIST

|   |  |          |      |
|---|--|----------|------|
| UNLESS OTHERWISE SPECIFIED TOLERANCES: ANGULAR ±2'                                |  | DRWG BY  | SIGN |
| INCH  |  | Ca       |      |
| METRIC  |  | CHK'D BY | SIGN |
| 3 PLACE ± .   | ±                                      | KN       |      |
| 2 PLACE ± .   | ±                                      | APP'D BY | SIGN |
| 1 PLACE ± .   | ±                                      |          |      |
| DRAFT WHERE APPLICABLE MUST REMAIN WITHIN DIMENSIONS                              |  |          |      |
| DESIGN DIMENSION  | <input checked="" type="checkbox"/> MM | SCALE    |      |
|   | <input type="checkbox"/> IN.           | 1:1      |      |
| EQUIVALENT DIMENSION  | <input type="checkbox"/> MM            |          |      |
|   | <input type="checkbox"/> IN.           |          |      |
| IF TWO DIMENSIONS ARE SHOWN THE UPPER IS THE DESIGN DIMENSION, LOWER IS SECONDARY |  |          |      |

THIS DRAWING CONTAINS INFORMATION THAT IS PROPRIETARY TO MOLEX INC. & SHOULD NOT BE USED WITHOUT WRITTEN PERMISSION

TITLE  
96 pos. Male connector  
DIN 41612 style R (C-Pin)  
Dimensions

MOLEX MOLEX EUROPE

PART NO. DWG NO. SHEET NO. DATE  
see sh. no. 2 of 3 610-6043-201 1 OF 3 9/11/28

SIZE  
B