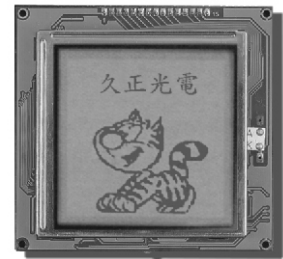
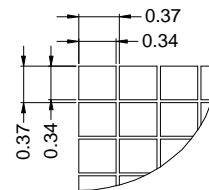
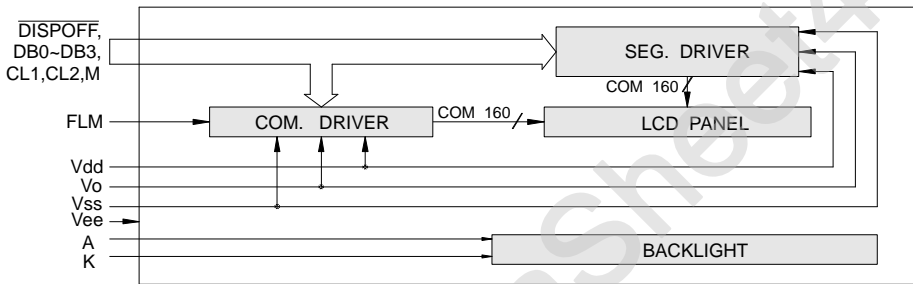
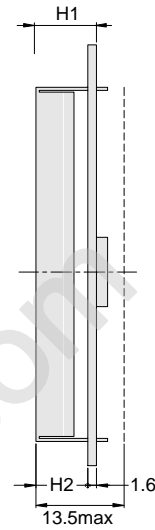
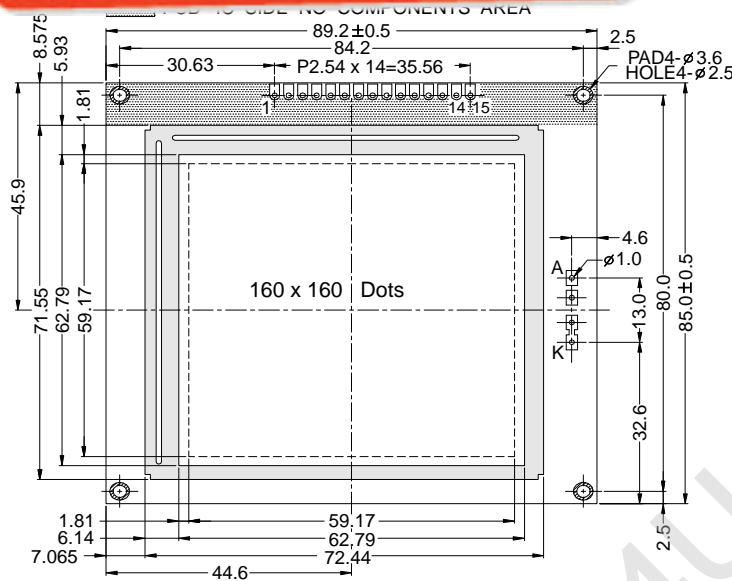


液晶之友 电话: 020-33819057
 Http://www.lcdfriends.com



OUTLINE DIMENSION & BLOCK DIAGRAM



The tolerance unless classified $\pm 0.3\text{mm}$

MECHANICAL SPECIFICATION

Overall Size	89.2 x 85.0	Module	H2 / H1
View Area	62.79 x 62.79	W / O B/L	- / -
Dot Size	0.34 x 0.34	EL B/L	- / -
Dot Pitch	0.37 x 0.37	LED B/L	9.4 / 13.5

PIN ASSIGNMENT

Pin no.	Symbol	Function
1	Vss	Power supply (GND)
2	M	Alternation control signal
3	FLM	Shift direction select
4	CL1	Display data input clock
5	CL2	Display data input clock
6	DB3	Data bus line
7	DB2	Data bus line
8	DB1	Data bus line
9	DB0	Data bus line
10	Vee	Negative voltage Input
11	Vdd	Power supply (+)
12	Vo	Contrast Adjust
13	DISPOFF	Data bus line
14	A	Power supply for LED B/L (-)
15	K	Power supply for LED B/L (+)

ABSOLUTE MAXIMUM RATING

Item	Symbol	Condition	Min.	Max.	Units
Supply for logic voltage	Vdd-Vss	25°C	-0.3	7.0	V
LCD driving supply voltage	Vdd-Vee	25°C	0	30.0	V
Input voltage	Vin	25°C	-0.3	Vdd+0.3	V

ELECTRICAL CHARACTERISTICS

Item	Symbol	Condition	Min.	Typical	Max.	Units	
Power supply voltage	Vdd-Vss	25°C	4.5	-	5.5	V	
LCD operation voltage	Vop	Top	N	W	N	W	V
		-20°C	-	-	-	-	V
		0°C	-	-	-	-	V
		25°C	-	-	18.3	-	V
		50°C	-	-	-	-	V
		70°C	-	-	-	-	V
LCM current consumption (No B/L)	Idd	Vdd=5V	-	3	5	mA	
Backlight current consumption	LED/edge	VB/L=4.2V	-	-	-	mA	
	LED/array	VB/L=4.2V	-	500	-	mA	

REMARK

LCD option: STN, TN, FSTN

Backlight Option: LED, EL Backlight feature, other Specs not available on catalog is under request.

