

EC²



LOGIC DELAY MODULE

very low profile

CMOS

COMPATIBLE

Thinny DIP

- CMOS input and outputs
- Delays stable and precise
- 14-pin DIP package (.150 high)
- Available in delays from 20 to 250ns
- 5 taps—each isolated and with 10 LPST²L fan-out capacity
- Fast rise time on all outputs

The CMOSLDM is offered in twenty-eight (28) delays from 20ns to 250ns, with each module incorporating taps as shown in the part number table. Delay tolerances are maintained as shown in the accompanying part number table, when tested under the "Test Conditions" shown. Delay time is measured at the +1.5V level on the leading edge. Rise time for all modules is 6ns maximum when measured from 0.75V to 2.4V. Temperature coefficient of delay is approximately ± 270 ppm/ $^{\circ}$ C or 3ns, whichever is greater, over the operating temperature range of -40 to $+85^{\circ}$ C.

design notes

The "DIP Series" Logic Delay Modules developed by Engineered Components Company have been designed to provide precise tapped delays with required driving and pick-off circuitry contained in a single 14-pin DIP package compatible with CMOS and LPST²L circuits. These logic delay modules are of hybrid construction utilizing the proven technologies of active integrated circuitry and of passive networks utilizing capacitive, inductive and resistive elements. The ICs utilized in these modules are burned-in to level B of MIL-STD-883 to ensure a high MTBF. The MTBF on these modules, when calculated per MIL-HDBK-217 for a 50 $^{\circ}$ C ground fixed environment, is in excess of 3 million hours. Module design includes compensation for propagation delays and incorporates internal termination at the output; no additional external components are needed to obtain the desired delay.

These modules accept either logic "1" or logic "0" inputs and reproduce the logic at the selected output tap without inversion. The delay modules are intended primarily for use with positive going pulses and are calibrated to the tolerances shown in the table on rising edge delay; where best accuracy is desired in applications using falling edge timing, it is recommended that a special unit be calibrated for the specific application. Each module output has the capacity of driving up to 2 T²L loads, 10 LPST²L loads or greater than 50 CMOS DC loads.

These "DIP Series" modules are packaged in a 14-pin DIP housing, molded of flame-proof Diallyl Phthalate per MIL-M-14, Type SDG-F, and are fully encapsulated in epoxy resin. Leads meet the solderability requirements of MIL-STD-202, Method 208. Corner standoffs on the housing provide positive standoff from the printed circuit board to permit solder-fillet formation and flush cleaning of solder-flux residues for improved reliability.

EC²

engineered components company

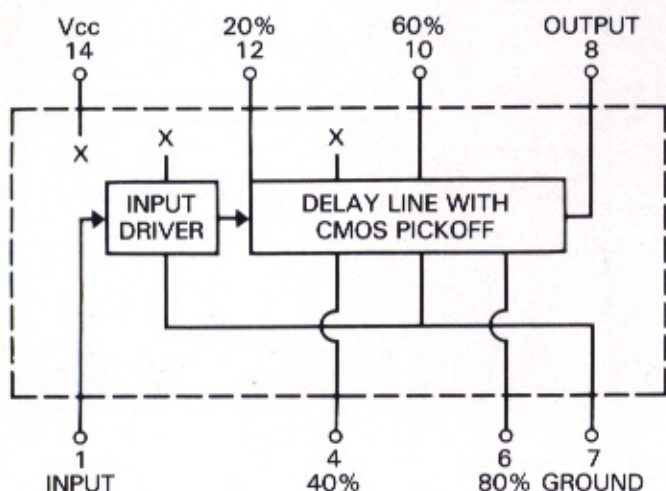
3580 Sacramento Drive, P. O. Box 8121, San Luis Obispo, CA 93403-8121

Phone: (805) 544-3800

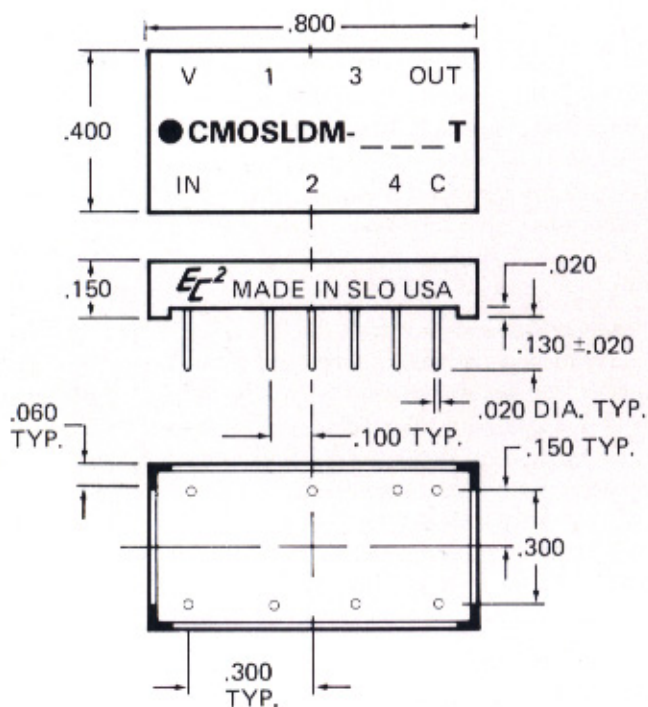
DESIGN NOTES (continued)

Marking consists of manufacturer's logo (EC²), part number, terminal identification and date code of manufacture. All marking is applied by silk screen process using white epoxy paint in accordance with MIL-STD-130, to meet the permanency of identification required by MIL-STD-202, Method 215.

BLOCK DIAGRAM IS SHOWN BELOW



MECHANICAL DETAIL IS SHOWN BELOW



TEST CONDITIONS

- All measurements are made at 25°C.
- V_{CC} supply voltage is maintained at 5.0V DC.
- All units are tested using a CMOS positive input pulse and one CMOS load at the output being tested.
- Input pulse width used is 5 to 10ns longer than full delay of module under test; spacing between pulses (falling edge to rising edge) is three times the pulse width used.

OPERATING SPECIFICATIONS

- *V_{CC} supply voltage: 4.5 to 5.5V DC
- V_{CC} supply current:
- ** Constant "0" in 7 to 13ma typical
- Constant "1" in1ua typical

Logic 1 input:

- Voltage 2V min.; 5.5V max.
- Current 2.4V = 1 ua max.

Logic 0 input:

- Voltage8V max.
- Current 1ua max.

Logic 1 Voltage out: 3.84V min.

Logic 0 Voltage out:33V max.

Operating temperature range: -40 to +85°C.

Storage temperature: -55 to +125°C.

*Delays decrease or increase approximately 1% or 1ns, whichever is greater, for a respective increase or decrease of 5% in supply voltage.

** 7ma typical through CMOSLDM-100T and 13ma typical for parts CMOSLDM-125T and above.

PART NUMBER TABLE

φ DELAYS AND TOLERANCES (in ns)					
PART NO.	Tap 1	Tap 2	Tap 3	Tap 4	OUTPUT
CMOSLDM-20T	16 ± 1	17 ± 1	18 ± 1	19 ± 1	20 ± 1
CMOSLDM-22T	16 ± 1	17.5 ± 1	19 ± 1	20.5 ± 1	22 ± 1
CMOSLDM-24T	16 ± 1	18 ± 1	20 ± 1	22 ± 1	24 ± 1
CMOSLDM-26T	16 ± 1	18.5 ± 1	21 ± 1	23.5 ± 1	26 ± 1
CMOSLDM-28T	16 ± 1	19 ± 1	22 ± 1	25 ± 1	28 ± 1
CMOSLDM-32T	16 ± 1	20 ± 1	24 ± 1	28 ± 1	32 ± 1
CMOSLDM-35T	15 ± 1	20 ± 1	25 ± 1	30 ± 1.5	35 ± 1.5
CMOSLDM-39T	15 ± 1	21 ± 1	27 ± 1.5	33 ± 1.5	39 ± 1.5
CMOSLDM-43T	15 ± 1	22 ± 1	29 ± 1.5	36 ± 1.5	43 ± 1.5
CMOSLDM-47T	15 ± 1	23 ± 1	31 ± 1.5	39 ± 1.5	47 ± 1.5
CMOSLDM-51T	15 ± 1	24 ± 1	33 ± 1.5	42 ± 1.5	51 ± 2
CMOSLDM-55T	15 ± 1	25 ± 1	35 ± 1.5	45 ± 2	55 ± 2
CMOSLDM-59T	15 ± 1	26 ± 1	37 ± 1.5	48 ± 2	59 ± 2.5
CMOSLDM-63T	15 ± 1	27 ± 1	39 ± 1.5	51 ± 2	63 ± 2.5
CMOSLDM-67T	15 ± 1	28 ± 1.5	41 ± 1.5	54 ± 2	67 ± 2.5
CMOSLDM-71T	15 ± 1	29 ± 1.5	43 ± 1.5	57 ± 2	71 ± 2.5
CMOSLDM-75T	15 ± 1	30 ± 1.5	45 ± 2	60 ± 2.5	75 ± 2.5
CMOSLDM-80T	16 ± 1	32 ± 1.5	48 ± 2	64 ± 2.5	80 ± 3
CMOSLDM-85T	17 ± 1	34 ± 1.5	51 ± 2	68 ± 2.5	85 ± 3
CMOSLDM-90T	18 ± 1	36 ± 1.5	54 ± 2	72 ± 2.5	90 ± 3
CMOSLDM-95T	19 ± 1	38 ± 1.5	57 ± 2	76 ± 2.5	95 ± 3
CMOSLDM-100T	20 ± 1	40 ± 1.5	60 ± 2	80 ± 3	100 ± 3
CMOSLDM-125T	25 ± 1	50 ± 2	75 ± 2.5	100 ± 3	125 ± 4
CMOSLDM-150T	30 ± 1.5	60 ± 2	90 ± 3	120 ± 4	150 ± 5
CMOSLDM-175T	35 ± 1.5	70 ± 2.5	105 ± 4	140 ± 5	175 ± 5
CMOSLDM-200T	40 ± 1.5	80 ± 3	120 ± 4	160 ± 5	200 ± 6
CMOSLDM-225T	45 ± 2	90 ± 3	135 ± 4	180 ± 6	225 ± 7
CMOSLDM-250T	50 ± 2	100 ± 3	150 ± 5	200 ± 6	250 ± 8

φ All modules can be operated with a minimum input pulse width of 40% of full delay and pulse period approaching square wave; since delay accuracies may be somewhat degraded, it is suggested that the module be evaluated under the intended specific operating conditions. **Special modules can be readily manufactured to improve accuracies and/or provide customer specified random delay times for specific applications.**