

PLEASE CHECK WWW.MOLEX.COM FOR LATEST PART INFORMATION

Part Number: [0850560000](#)
Status: **Active**
Overview: [din_41612](#)
Description: 2.54mm (.100") Pitch DIN 41612/IEC 603-2 Mixed Layout Connector, Female Style M Inverse, 24 Circuits, Lead free

Documents:

[3D Model](#) [RoHS Certificate of Compliance \(PDF\)](#)
[Drawing \(PDF\)](#)

Agency Certification

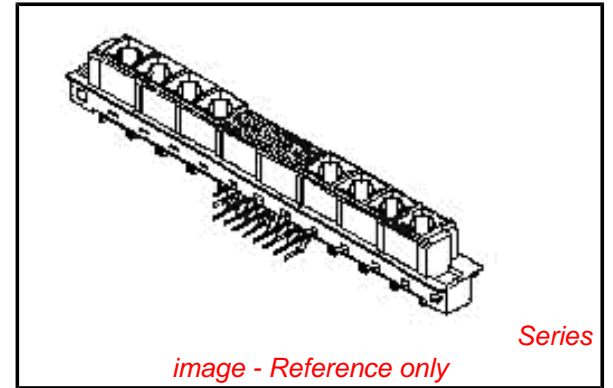
CSA LR19980
 UL E29179

General

Product Family Backplane Connectors
 Series [85056](#)
 Application Backplane
 Component Type PCB Receptacle
 Overview [din_41612](#)
 Product Name IEC 603-2/DIN 41612
 Style M

Physical

Circuits (Loaded) 24
 Circuits (maximum) 32
 Circuits Detail Standard Contacts at A:a13-a20; B:b13-b20; C:c13-c20
 Durability (mating cycles max) 400
 First Mate / Last Break No
 Flammability 94V-0
 Guide to Mating Part No
 Keying to Mating Part Yes
 Material - Plating Mating Gold
 Material - Plating Termination Tin
 Number of Columns 8
 Number of Pairs Open Pin Field
 Number of Rows 3
 Orientation Right Angle
 PC Tail Length (in) 0.110 In
 PC Tail Length (mm) 2.80 mm
 PCB Locator No
 PCB Retention Yes
 PCB Thickness Recommended (in) 0.063 In, 0.126 In
 PCB Thickness Recommended (mm) 1.60 mm, 3.20 mm
 Packaging Type Tray
 Pitch - Mating Interface (in) 0.100 In
 Pitch - Mating Interface (mm) 2.54 mm
 Pitch - Term. Interface (in) 0.100 In
 Pitch - Term. Interface (mm) 2.54 mm
 Plating min: Mating (µin) 24
 Plating min: Mating (µm) 0.60
 Polarized to PCB Yes
 Stackable No
 Surface Mount Compatible (SMC) No
 Temperature Range - Operating -55°C to +125°C
 Termination Interface: Style Through Hole



EU RoHS

ELV and RoHS Compliant
REACH SVHC
 Not Reviewed
Halogen-Free Status
 Not Reviewed

China RoHS



Need more information on product environmental compliance?

Email productcompliance@molex.com
 For a multiple part number RoHS Certificate of Compliance, [click here](#)

Please visit the [Contact Us](#) section for any non-product compliance questions.

Search Parts in this Series

[85056Series](#)

Mates With

DIN 41612/EIC 603-2 Mixed Layout Connectors [85009](#) , [85017](#)

Use With

[85022](#) DIN 41612 High Current Contact

Electrical

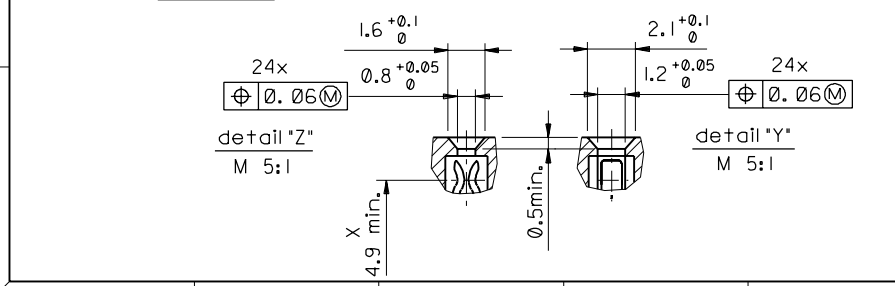
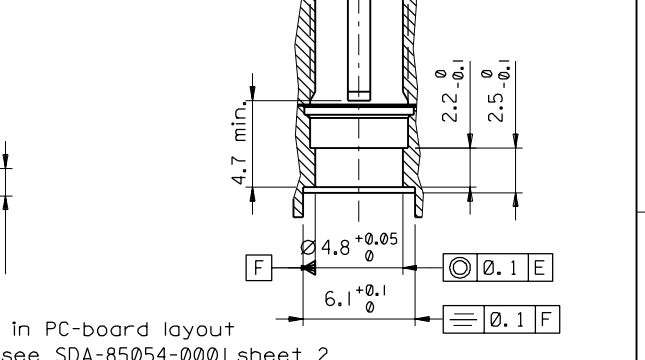
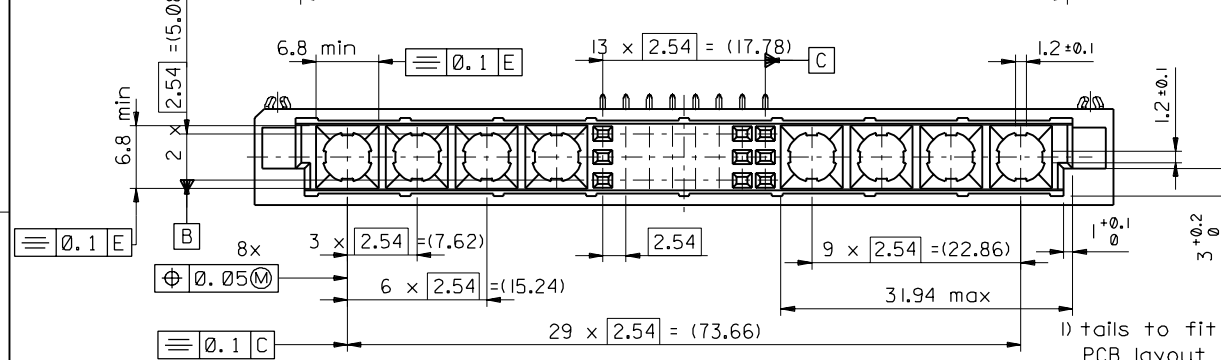
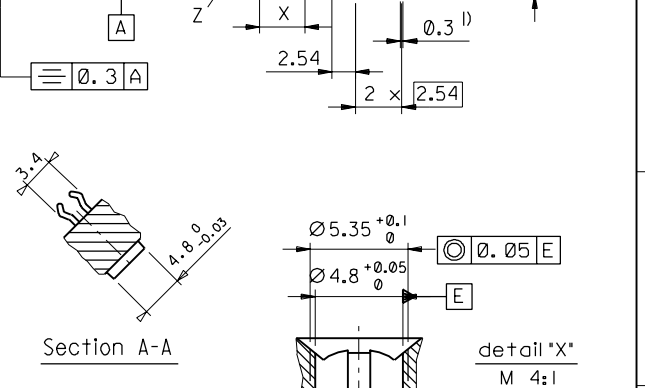
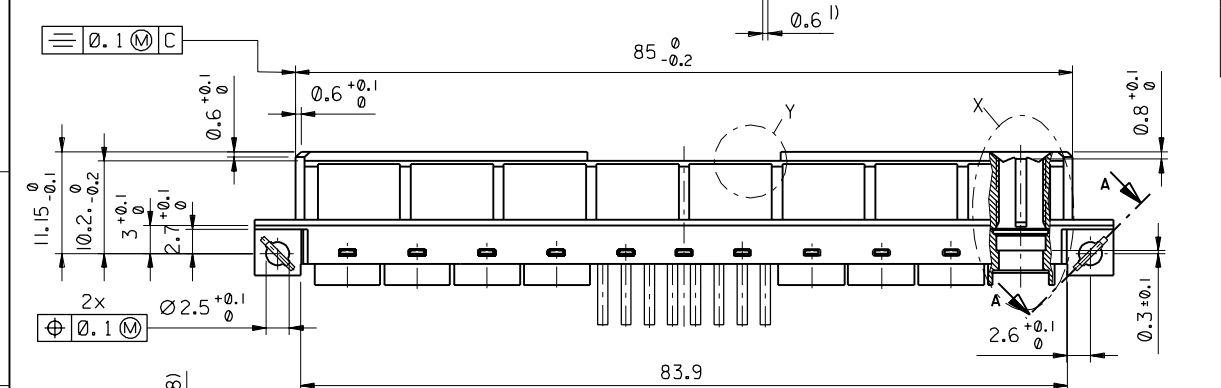
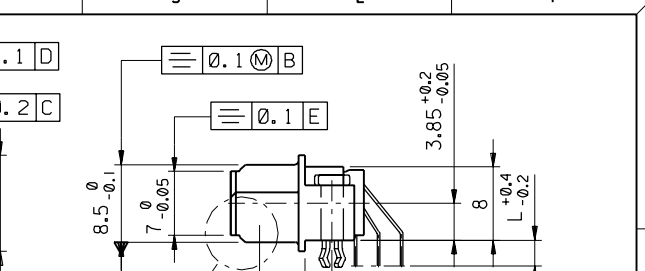
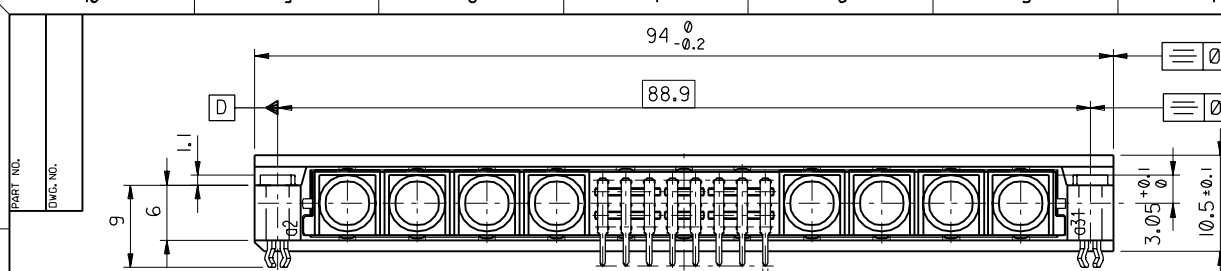
Current - Maximum per Contact	2.5A
Data Rate	622.0 Mbps
Real Signals (per 25mm)	30
Voltage - Maximum	250V AC (RMS)

Material Info**Reference - Drawing Numbers**

Sales Drawing	SD-85056-0000, SD-85056-0004
---------------	------------------------------

This document was generated on 05/17/2010

PLEASE CHECK WWW.MOLEX.COM FOR LATEST PART INFORMATION



l) tails to fit in PC-board layout
PCB layout see SDA-85054-0001 sheet 2

FIRST ANGLE PROJECTION UNLESS OTHERWISE SPECIFIED TOLERANCES: ANGULAR $\pm 2^\circ$ INCH METRIC 3 PLACE \pm \pm 2 PLACE \pm \pm 1 PLACE \pm \pm DRAFT WHERE APPLICABLE MUST REMAIN WITHIN DIMENSIONS DESIGN DIMENSION <input checked="" type="checkbox"/> MM <input type="checkbox"/> IN. EQUIVALENT DIMENSION <input type="checkbox"/> MM <input type="checkbox"/> IN. IF TWO DIMENSIONS ARE SHOWN THE UPPER IS THE DESIGN DIMENSION, LOWER IS SECONDARY	REVISIONS FOR PREVIOUS REVISIONS SEE MRI LIST LTR ECN MG1998-2586 L+0.2 In +0.4-0.2, Tex+1) 97-09-18 KN	DRWG BY KN CHK'D BY Ca APP'D BY JB SCALE 2:1	REVISE ONLY ON CAD SYSTEM CAD/CAM PROJECT NAME 85056000 841 THIS DRAWING CONTAINS INFORMATION THAT IS PROPRIETARY TO MOLEX INC. & SHOULD NOT BE USED WITHOUT WRITTEN PERMISSION TITLE 24 pol. Federleiste 24 pos. female connector DIN 41612, style M inverted SHEET NO. DATE 1 of 1 97/04/23 PART NO. DWG NO. SD-85056-0004	SH. REV. B	
	MOLEX EUROPE		SHEET NO. DATE 1 of 1 97/04/23	SIZE B	
	Molex		SCALE 2:1	SHEET NO. DATE 1 of 1 97/04/23	SIZE B
	Molex		SCALE 2:1	SHEET NO. DATE 1 of 1 97/04/23	SIZE B