

**REVISIONS**

| LTR | DESCRIPTION   | DATE (YR-MO-DA) | APPROVED       |
|-----|---|-----------------|----------------|
| A   | Convert to SMD format. Technical changes in table II. Editorial changes throughout. Redrawn.  | 92-11-18        | M. L. Poelking |
| B   | Add device type 02. Add cage 34371 as source of supply. Technical changes in 1.3 and 1.4 and table I. Boilerplate update. Editorial changes throughout. | 93-11-23        | M. L. Poelking |

THE ORIGINAL FIRST PAGE OF THIS DRAWING HAS BEEN REPLACED

**CURRENT CAGE CODE 67268**

|   |                                   |   |   |   |   |                           |              |           |   |   |    |    |    |    |   |   |   |   |   |   |
|---|-----------------------------------|---|---|---|---|---------------------------|--------------|-----------|---|---|----|----|----|----|---|---|---|---|---|---|
| REV   |                                   |   |   |   |   |                           |              |           |   |   |    |    |    |    |   |   |   |   |   |   |
| SHEET   |                                   |   |   |   |   |                           |              |           |   |   |    |    |    |    |   |   |   |   |   |   |
| REV   |                                   |   |   |   |   |                           |              |           |   |   |    |    |    |    |   |   |   |   |   |   |
| SHEET   |                                   |   |   |   |   |                           |              |           |   |   |    |    |    |    |   |   |   |   |   |   |
| REV STATUS OF SHEETS  | REV                               | B | B | B | B   | B                         | B            | B         | B | B | B  | B  | B  | B  | B | B | B | B | B | B |
|   | SHEET                             | 1 | 2 | 3 | 4   | 5                         | 6            | 7         | 8 | 9 | 10 | 11 | 12 | 13 |   |   |   |   |   |   |
| PMIC N/A  | PREPARED BY<br>William E. Shoup   |   |   |   | DEFENSE ELECTRONICS SUPPLY CENTER<br>DAYTON, OHIO 45444                     |                           |              |           |   |   |    |    |    |    |   |   |   |   |   |   |
| <b>STANDARDIZED<br/>MILITARY<br/>DRAWING</b><br><br>THIS DRAWING IS AVAILABLE<br>FOR USE BY ALL DEPARTMENTS<br>AND AGENCIES OF THE<br>DEPARTMENT OF DEFENSE<br><br>AMSC N/A | CHECKED BY<br>A. J. Foley         |   |   |   | MICROCIRCUIT, DIGITAL CMOS, DUAL<br>4-INPUT OR GATES, MONOLITHIC<br>SILICON |                           |              |           |   |   |    |    |    |    |   |   |   |   |   |   |
|   | APPROVED BY<br>N. A. Hauck        |   |   |   |   |                           |              |           |   |   |    |    |    |    |   |   |   |   |   |   |
|   | DRAWING APPROVAL DATE<br>77-12-29 |   |   |   | SIZE<br><b>A</b>  | CAGE CODE<br><b>14933</b> | <b>77060</b> |           |   |   |    |    |    |    |   |   |   |   |   |   |
|   | REVISION LEVEL <b>B</b>           |   |   |   | SHEET   | <b>1</b>                  | OF           | <b>13</b> |   |   |    |    |    |    |   |   |   |   |   |   |

DESC FORM 193-1

JUL 91

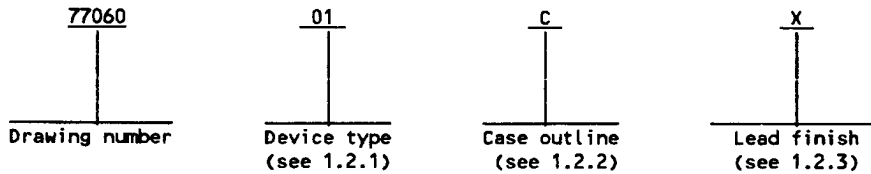
DISTRIBUTION STATEMENT A. Approved for public release; distribution is unlimited.

5962-E301-93

1. SCOPE

1.1 Scope. This drawing describes device requirements for class B microcircuits in accordance with 1.2.1 of MIL-STD-883, "Provisions for the use of MIL-STD-883 in conjunction with compliant non-JAN devices".

1.2 Part or Identifying Number (PIN). The complete PIN shall be as shown in the following example:



1.2.1 Device type(s). The device type(s) shall identify the circuit function as follows:

| <u>Device type</u> | <u>Generic number</u> | <u>Circuit function</u> |
|--------------------|-----------------------|-------------------------|
| 01                 | 4072B                 | Dual 4-input OR gate    |
| 02                 | 4072B                 | Dual 4-input OR gate    |

1.2.2 Case outline(s). The case outline(s) shall be as designated in MIL-STD-1835 and as follows:

| <u>Outline letter</u> | <u>Descriptive designator</u> | <u>Terminals</u> | <u>Package style</u> |
|-----------------------|-------------------------------|------------------|----------------------|
| C                     | GDIP1-T14 or CD1P2-T14        | 14               | Dual-in-line         |
| D                     | GDFP1-F14 or CDFP2-F14        | 14               | Flat package         |

1.2.3 Lead finish. The lead finish shall be as specified in MIL-STD-883 (see 3.1 herein). Finish letter "X" shall not be marked on the microcircuit or its packaging. The "X" designation is for use in specifications when lead finishes A, B, and C are considered acceptable and interchangeable without preference.

1.3 Absolute maximum ratings.

|  |                                  |
|--|----------------------------------|
| Supply voltage range ( $V_{DD}$ ) (01)   | -0.5 V dc to +18 V dc            |
| Supply voltage range ( $V_{DD}$ ) (02)<br>(voltages referenced to $V_{SS}$ terminal) | -0.5 V dc to +20 V dc            |
| Input voltage range  | -0.5 V dc to $V_{DD} + 0.5$ V dc |
| Storage temperature range  | -65°C to +150°C                  |
| Maximum power dissipation, $P_D$ (01)  | 200 mW <sup>1/</sup>             |
| Maximum power dissipation, $P_D$ (02)  | 500 mW <sup>1/</sup>             |
| Lead temperature (soldering, 10 seconds)   | +260°C                           |
| Thermal resistance, junction-to-case ( $\theta_{JC}$ )                               | See MIL-STD-1835                 |
| Junction temperature ( $T_J$ )   | +175°C                           |

1.4 Recommended operating conditions.

|   |                                       |
|---|---------------------------------------|
| Supply voltage range ( $V_{DD}$ ) (01)        | +3.0 V dc minimum to +15 V dc maximum |
| Supply voltage range ( $V_{DD}$ ) (02)        | +3.0 V dc minimum to +18 V dc maximum |
| Minimum high level input voltage ( $V_{IH}$ ) | +3.5 V dc at $V_{DD} = 5$ V dc        |
| Maximum low level input voltage ( $V_{IL}$ )  | +1.5 V dc at $V_{DD} = 5$ V dc        |
| Case operating temperature range              | -55°C to +125°C                       |

<sup>1/</sup> For  $T_A = +100^\circ\text{C}$ , derate linearly at 12 mW/°C to 200 mW.

|   |                   |                             |                    |
|---|-------------------|-----------------------------|--------------------|
| <b>STANDARDIZED<br/>MILITARY DRAWING<br/>DEFENSE ELECTRONICS SUPPLY CENTER<br/>DAYTON, OHIO 45444</b> | <b>SIZE<br/>A</b> |                             | <b>77060</b>       |
|   |                   | <b>REVISION LEVEL<br/>B</b> | <b>SHEET<br/>2</b> |

**2. APPLICABLE DOCUMENTS**

2.1 Government specification, standards, and bulletin. Unless otherwise specified, the following specification, standards, and bulletin of the issue listed in that issue of the Department of Defense Index of Specifications and Standards specified in the solicitation, form a part of this drawing to the extent specified herein.

**SPECIFICATION**

**MILITARY**

MIL-I-38535 - Intergrated Circuits (Microcircuits) Manufacturing, General Specification For.

**STANDARDS**

**MILITARY**

MIL-STD-883 - Test Methods and Procedures for Microelectronics.  
 MIL-STD-1835 - Microcircuit Case Outlines.

**BULLETIN**

**MILITARY**

MIL-BUL-103 - List of Standardized Military Drawings (SMD's).

(Copies of the specification, standards, and bulletin required by manufacturers in connection with specific acquisition functions should be obtained from the contracting activity or as directed by the contracting activity.)

2.2 Order of precedence. In the event of a conflict between the text of this drawing and the references cited herein, the text of this drawing shall take precedence.

**3. REQUIREMENTS**

3.1 Item requirements. The individual item requirements shall be in accordance with 1.2.1 of MIL-STD-883, "Provisions for the use of MIL-STD-883 in conjunction with compliant non-JAN devices" and as specified herein. Product built to this drawing that is produced by a Qualified Manufacturer Listing (QML) certified and qualified manufacturer or a manufacturer who has been granted transitional certification to MIL-I-38535 may be processed as QML product in accordance with the manufacturers approved program plan and qualifying activity approval in accordance with MIL-I-38535. This QML flow as documented in the Quality Management (QM) plan may make modifications to the requirements herein. These modifications shall not affect form, fit, or function of the device. These shall not affect the PIN as described herein. A "Q" or "QML" certification mark in accordance with MIL-I-38535 is required to identify when the QML flow option is used.

3.2 Design, construction, and physical dimensions. The design, construction, and physical dimensions shall be as specified in MIL-M-38510 and herein.

3.2.1 Case outline(s). The case outline(s) shall be in accordance with 1.2.2 herein.

3.2.2 Terminal connections. The terminal connections shall be as specified on figure 1.

3.2.3 Truth table. The truth table shall be as specified on figure 2.

3.2.4 Logic diagram. The logic diagram shall be as specified on figure 3.

3.2.5 Switching time waveforms. The switching time waveforms shall be as specified on figure 4.

3.3 Electrical performance characteristics. Unless otherwise specified herein, the electrical performance characteristics are as specified in table I and shall apply over the full case operating temperature range.

3.4 Electrical test requirements. The electrical test requirements shall be the subgroups specified in table II. The electrical tests for each subgroup are described in table I.

|  |                                    |  |                                     |
|--|------------------------------------|--|-------------------------------------|
| <b>STANDARDIZED<br/>                 MILITARY DRAWING<br/>                 DEFENSE ELECTRONICS SUPPLY CENTER<br/>                 DAYTON, OHIO 45444</b> | <b>SIZE<br/>                 A</b> |  | <b>77060</b>                        |
|  |                                    | <b>REVISION LEVEL<br/>                 B</b> | <b>SHEET<br/>                 3</b> |

TABLE I. Electrical performance characteristics.

| Test                         | Symbol                    | Conditions<br>-55°C ≤ T <sub>c</sub> ≤ +125°C<br>unless otherwise specified |  | Group A<br>subgroups | Device<br>type | Limits                |                      | Unit |
|------------------------------|---------------------------|---|--|----------------------|----------------|-----------------------|----------------------|------|
|                              |                           |   |  |                      |                | Min                   | Max                  |      |
| High-level output<br>voltage | V <sub>OH</sub>           | V <sub>DD</sub> = 5.0 V<br>V <sub>DD</sub> = 10 V<br>V <sub>DD</sub> = 15 V | V <sub>IN</sub> = 0 or V <sub>DD</sub> | 1,2,3                | 01             | 4.95<br>9.95<br>14.95 |                      | V    |
| Low-level output<br>voltage  | V <sub>OL</sub>           | V <sub>DD</sub> = 5.0 V<br>V <sub>DD</sub> = 10 V<br>V <sub>DD</sub> = 15 V | V <sub>IN</sub> = V <sub>DD</sub> or 0 | 1,2,3                | 01             |                       | 0.05<br>0.05<br>0.05 | V    |
| Low-level input<br>voltage   | V <sub>IL</sub><br><br>1/ | V <sub>O</sub> = 4.5 V or<br>0.5 V  | V <sub>DD</sub> = 5.0 V                | 1,2,3                | 01             |                       | 1.5                  | V    |
|                              |                           | V <sub>O</sub> = 9.0 V or<br>1.0 V  | V <sub>DD</sub> = 10 V                 |                      |                |                       | 3.0                  |      |
|                              |                           | V <sub>O</sub> = 13.5 V<br>or 1.5 V   | V <sub>DD</sub> = 15 V                 |                      |                |                       | 4.0                  |      |
| High-level input<br>voltage  | V <sub>IH</sub><br><br>1/ | V <sub>O</sub> = 4.5 V or<br>0.5 V  | V <sub>DD</sub> = 5.0 V                | 1,2,3                | 01             | 3.5                   |                      | V    |
|                              |                           | V <sub>O</sub> = 9.0 V or<br>1.0 V  | V <sub>DD</sub> = 10 V                 |                      |                | 7.0                   |                      |      |
|                              |                           | V <sub>O</sub> = 13.5 V<br>or 1.5 V   | V <sub>DD</sub> = 15 V                 |                      |                | 11.0                  |                      |      |
| High-level output<br>current | I <sub>OH</sub>           | V <sub>O</sub> = 4.6 V  | V <sub>DD</sub> = 5.0 V                | 1,2,3                | 01             | -0.3                  |                      | mA   |
|                              |                           | V <sub>O</sub> = 9.5 V  | V <sub>DD</sub> = 10 V                 |                      |                | -0.65                 |                      |      |
|                              |                           | V <sub>O</sub> = 13.5 V   | V <sub>DD</sub> = 15 V                 |                      |                | -2.2                  |                      |      |
| Low-level output<br>current  | I <sub>OL</sub>           | V <sub>OL</sub> = 0.4 V   | V <sub>DD</sub> = 5.0 V                | 1,2,3                | 01             | 0.3                   |                      | mA   |
|                              |                           | V <sub>OL</sub> = 0.5 V   | V <sub>DD</sub> = 10 V                 |                      |                | 0.65                  |                      |      |
|                              |                           | V <sub>OL</sub> = 1.5 V   | V <sub>DD</sub> = 15 V                 |                      |                | 2.2                   |                      |      |
| Input current                | I <sub>IN</sub>           | V <sub>DD</sub> = 15 V  |  | 1,2,3                | 01             |                       | ± 1.0                | μA   |
| Input capacitance            | C <sub>IN</sub>           | V <sub>IN</sub> = 0 V   | See 4.3.1b                             | 4                    | 01             |                       | 7.5                  | pF   |
| Quiescent current            | I <sub>DD</sub>           | V <sub>DD</sub> = 5.0 V<br>V <sub>DD</sub> = 10 V<br>V <sub>DD</sub> = 15 V |  | 1,2,3                | 01             |                       | 10.0<br>20.0<br>30.0 | μA   |
| Functional tests             |                           | See 4.3.1c  |  | 7,8                  | 01             |                       |                      |      |

See footnotes at end of table.

|   |                   |                     |            |
|---|-------------------|---------------------|------------|
| <b>STANDARDIZED<br/>MILITARY DRAWING<br/>DEFENSE ELECTRONICS SUPPLY CENTER<br/>DAYTON, OHIO 45444</b> | <b>SIZE<br/>A</b> |                     | 77060      |
|   |                   | REVISION LEVEL<br>B | SHEET<br>4 |

TABLE 1. Electrical performance characteristics - Continued.

| Test                      | Symbol                                 | Conditions<br>-55°C ≤ T <sub>C</sub> ≤ +125°C<br>unless otherwise specified  | Group A<br>subgroups | Device<br>type | Limits            |                   | Unit |
|---------------------------|--|--|----------------------|----------------|-------------------|-------------------|------|
|                           |  |  |                      |                | Min               | Max               |      |
| Propagation delay<br>time | t <sub>PHL</sub> ,<br>t <sub>PLH</sub> | C <sub>L</sub> = 50 pF min V <sub>DD</sub> = 5.0 V<br>R <sub>L</sub> = 200 kΩ $\frac{2}{V_{DD}} = 10$ V<br>$\frac{3}{V_{DD}} = 15$ V | 9                    | 01             |                   | 350<br>140<br>110 | ns   |
|                           |  | C <sub>L</sub> = 50 pF min V <sub>DD</sub> = 5.0 V<br>R <sub>L</sub> = 200 kΩ V <sub>DD</sub> = 10 V<br>$\frac{2}{V_{DD}} = 15$ V    | 10,11                |                | 525<br>210<br>165 |                   |      |
| Transition time           | t <sub>THL</sub> ,<br>t <sub>TLH</sub> | C <sub>L</sub> = 50 pF min V <sub>DD</sub> = 5.0 V<br>R <sub>L</sub> = 200 kΩ $\frac{2}{V_{DD}} = 10$ V<br>$\frac{3}{V_{DD}} = 15$ V | 9                    | 01             |                   | 200<br>100<br>80  | ns   |
|                           |  | C <sub>L</sub> = 50 pF min V <sub>DD</sub> = 5.0 V<br>R <sub>L</sub> = 200 kΩ V <sub>DD</sub> = 10 V<br>$\frac{2}{V_{DD}} = 15$ V    | 10,11                |                | 300<br>150<br>120 |                   |      |

See footnotes at end of table.

|   |                   |                             |                    |
|---|-------------------|-----------------------------|--------------------|
| <b>STANDARDIZED<br/>MILITARY DRAWING<br/>DEFENSE ELECTRONICS SUPPLY CENTER<br/>DAYTON, OHIO 45444</b> | <b>SIZE<br/>A</b> |                             | <b>77060</b>       |
|   |                   | <b>REVISION LEVEL<br/>B</b> | <b>SHEET<br/>5</b> |

TABLE I. Electrical performance characteristics.

| Test                         | Symbol                    | Conditions<br>-55°C ≤ T <sub>C</sub> ≤ +125°C<br>unless otherwise specified   |  | Group A<br>subgroups | Device<br>type | Limits                |                            | Unit        |
|------------------------------|---------------------------|---|--|----------------------|----------------|-----------------------|----------------------------|-------------|
|                              |                           |   |  |                      |                | Min                   | Max                        |             |
| High-level output<br>voltage | V <sub>OH</sub>           | V <sub>DD</sub> = 5.0 V <u>2</u> /<br>V <sub>DD</sub> = 10 V <u>2</u> /<br>V <sub>DD</sub> = 15 V   | V <sub>IN</sub> = 0 or V <sub>DD</sub> | 1,2,3                | 02             | 4.95<br>9.95<br>14.95 |                            | V           |
| Low-level output<br>voltage  | V <sub>OL</sub>           | V <sub>DD</sub> = 5.0 V <u>2</u> /<br>V <sub>DD</sub> = 10 V <u>2</u> /<br>V <sub>DD</sub> = 15 V   | V <sub>IN</sub> = V <sub>DD</sub> or 0 | 1,2,3                | 02             |                       | 0.05<br>0.05               | 0.05  <br>V |
| Low-level input<br>voltage   | V <sub>IL</sub><br><br>1/ | V <sub>O</sub> = 4.5 V or<br>0.5 V  | V <sub>DD</sub> = 5.0 V                | 1,2,3                | 02             |                       | 1.5                        | V           |
|                              |                           | V <sub>O</sub> = 9.0 V or<br>1.0 V  | V <sub>DD</sub> = 10 V                 |                      |                |                       | 3.0                        |             |
|                              |                           | V <sub>O</sub> = 13.5 V<br>or 1.5 V   | V <sub>DD</sub> = 15 V                 |                      |                |                       | 4.0                        |             |
| High-level input<br>voltage  | V <sub>IH</sub><br><br>1/ | V <sub>O</sub> = 4.5 V or<br>0.5 V  | V <sub>DD</sub> = 5.0 V                | 1,2,3                | 02             | 3.5                   |                            | V           |
|                              |                           | V <sub>O</sub> = 9.0 V or<br>1.0 V  | V <sub>DD</sub> = 10 V                 |                      |                | 7.0                   |                            |             |
|                              |                           | V <sub>O</sub> = 13.5 V<br>or 1.5 V   | V <sub>DD</sub> = 15 V                 |                      |                | 11.0                  |                            |             |
| High-level output<br>current | I <sub>OH</sub>           | V <sub>O</sub> = 4.6 V  | V <sub>DD</sub> = 5.0 V                | 1,2,3                | 02             | -0.36                 |                            | mA          |
|                              |                           | V <sub>O</sub> = 9.5 V  | V <sub>DD</sub> = 10 V                 |                      |                | -0.9                  |                            |             |
|                              |                           | V <sub>O</sub> = 13.5 V   | V <sub>DD</sub> = 15 V                 |                      |                | -2.4                  |                            |             |
| Low-level output<br>current  | I <sub>OL</sub>           | V <sub>OL</sub> = 0.4 V   | V <sub>DD</sub> = 5.0 V                | 1,2,3                | 02             | 0.36                  |                            | mA          |
|                              |                           | V <sub>OL</sub> = 0.5 V   | V <sub>DD</sub> = 10 V                 |                      |                | 0.9                   |                            |             |
|                              |                           | V <sub>OL</sub> = 1.5 V   | V <sub>DD</sub> = 15 V                 |                      |                | 2.4                   |                            |             |
| Input current                | I <sub>IN</sub>           | V <sub>DD</sub> = 20 V  |  | 1,2,3                | 02             |                       | ± 1.0                      | μA          |
| Input capacitance            | C <sub>IN</sub>           | V <sub>IN</sub> = 0 V   | See 4.3.1b                             | 4                    | 02             |                       | 7.5                        | pF          |
| Quiescent current            | I <sub>DD</sub>           | V <sub>DD</sub> = 5.0 V <u>2</u> /<br>V <sub>DD</sub> = 10 V <u>2</u> /<br>V <sub>DD</sub> = 15 V <u>2</u> /<br>V <sub>DD</sub> = 20 V <u>5</u> / |  | 1,2,3                | 02             |                       | 7.5<br>15.0<br>30.0<br>150 | μA          |
| Functional tests             |                           | See 4.3.1c  |  | 7,8                  | 02             |                       |                            |             |

See footnotes at end of table.

|   |                   |                             |                    |
|---|-------------------|-----------------------------|--------------------|
| <b>STANDARDIZED<br/>MILITARY DRAWING<br/>DEFENSE ELECTRONICS SUPPLY CENTER<br/>DAYTON, OHIO 45444</b> | <b>SIZE<br/>A</b> |                             | <b>77060</b>       |
|   |                   | <b>REVISION LEVEL<br/>B</b> | <b>SHEET<br/>6</b> |

TABLE I. Electrical performance characteristics - Continued.

| Test                      | Symbol                                 | Conditions<br>-55°C ≤ T <sub>C</sub> ≤ +125°C<br>unless otherwise specified   | Group A<br>subgroups | Device<br>type | Limits            |                  | Unit |
|---------------------------|--|---|----------------------|----------------|-------------------|------------------|------|
|                           |  |   |                      |                | Min               | Max              |      |
| Propagation delay<br>time | t <sub>PHL</sub> ,<br>t <sub>PLH</sub> | C <sub>L</sub> = 50 pF min V <sub>DD</sub> = 5.0 V<br>R <sub>L</sub> = 200 kΩ 2/V <sub>DD</sub> = 10 V<br>3/ 2/V <sub>DD</sub> = 15 V | 9                    | 02             |                   | 250<br>120<br>90 | ns   |
|                           |  | C <sub>L</sub> = 50 pF min V <sub>DD</sub> = 5.0 V<br>R <sub>L</sub> = 200 kΩ V <sub>DD</sub> = 10 V<br>2/ 3/ V <sub>DD</sub> = 15 V  | 10,11                |                | 375<br>180<br>135 |                  |      |
| Transition time           | t <sub>THL</sub> ,<br>t <sub>TLH</sub> | C <sub>L</sub> = 50 pF min V <sub>DD</sub> = 5.0 V<br>R <sub>L</sub> = 200 kΩ 2/V <sub>DD</sub> = 10 V<br>3/ 2/V <sub>DD</sub> = 15 V | 9                    | 02             |                   | 200<br>100<br>80 | ns   |
|                           |  | C <sub>L</sub> = 50 pF min V <sub>DD</sub> = 5.0 V<br>R <sub>L</sub> = 200 kΩ V <sub>DD</sub> = 10 V<br>2/ 3/ V <sub>DD</sub> = 15 V  | 10,11                |                | 300<br>150<br>120 |                  |      |

1/ V<sub>IH</sub> and V<sub>IL</sub> tests are not required if applied as forcing functions for the V<sub>OH</sub> and V<sub>OL</sub> tests.

2/ This condition is guaranteed, if not tested, to the specification limits in table I.

3/ See figure 4 for switching time waveforms.

4/ Subgroups 2 and 3 may be guaranteed, if not tested to the specification limits in table I.

5/ At -55°C test is performed with V<sub>DD</sub> = 18 V.

|   |                   |                             |                    |
|---|-------------------|-----------------------------|--------------------|
| <b>STANDARDIZED<br/>MILITARY DRAWING<br/>DEFENSE ELECTRONICS SUPPLY CENTER<br/>DAYTON, OHIO 45444</b> | <b>SIZE<br/>A</b> |                             | <b>77060</b>       |
|   |                   | <b>REVISION LEVEL<br/>B</b> | <b>SHEET<br/>7</b> |

|                 |                 |
|-----------------|-----------------|
| Device type     | All             |
| Case outline    | C and D         |
| Terminal number | Terminal symbol |
| 1               | OUT 1Y          |
| 2               | IN 1A           |
| 3               | IN 1B           |
| 4               | IN 1C           |
| 5               | IN 1D           |
| 6               | NC              |
| 7               | V <sub>SS</sub> |
| 8               | NC              |
| 9               | IN 2D           |
| 10              | IN 2C           |
| 11              | IN 2B           |
| 12              | IN 2A           |
| 13              | OUT 2Y          |
| 14              | V <sub>DD</sub> |

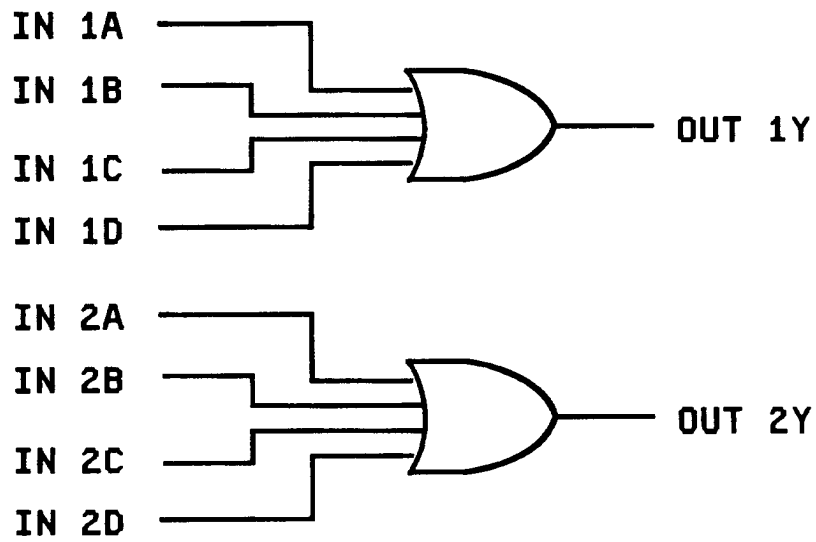
FIGURE 1. Terminal connections.

| INPUTS |   |   |   | OUTPUT |
|--------|---|---|---|--------|
| A      | B | C | D | Y      |
| L      | L | L | L | L      |
| H      | L | L | L | H      |
| L      | H | L | L | H      |
| H      | H | L | L | H      |
| L      | L | H | L | H      |
| H      | L | H | L | H      |
| L      | H | H | L | H      |
| H      | H | H | L | H      |
| L      | L | L | H | H      |
| H      | L | L | H | H      |
| L      | H | L | H | H      |
| H      | H | L | H | H      |
| L      | L | H | H | H      |
| H      | L | H | H | H      |
| L      | H | H | H | H      |
| H      | H | H | H | H      |

FIGURE 2. Truth table.

|   |                   |                             |                    |
|---|-------------------|-----------------------------|--------------------|
| <b>STANDARDIZED<br/>MILITARY DRAWING<br/>DEFENSE ELECTRONICS SUPPLY CENTER<br/>DAYTON, OHIO 45444</b> | <b>SIZE<br/>A</b> |                             | <b>77060</b>       |
|   |                   | <b>REVISION LEVEL<br/>B</b> | <b>SHEET<br/>8</b> |



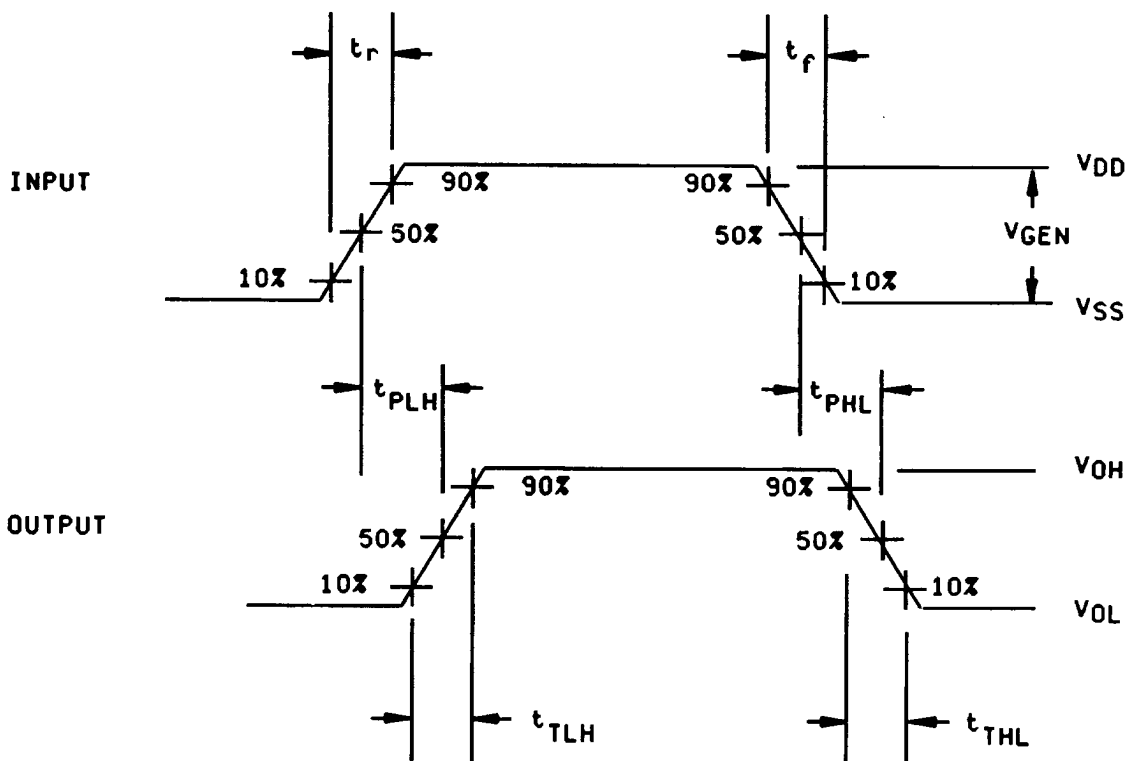


$V_{DD}$  = PIN 14

$V_{SS}$  = PIN 7

FIGURE 3. Logic diagram.

|   |                   |                             |                    |
|---|-------------------|-----------------------------|--------------------|
| <b>STANDARDIZED<br/>MILITARY DRAWING<br/>DEFENSE ELECTRONICS SUPPLY CENTER<br/>DAYTON, OHIO 45444</b> | <b>SIZE<br/>A</b> |                             | <b>77060</b>       |
|   |                   | <b>REVISION LEVEL<br/>B</b> | <b>SHEET<br/>9</b> |



DYNAMIC TEST WAVEFORMS-01

Input pulse  
 $V_{GEN} = V_{DD} \pm 1.0\%$   
 $t_{PH} = 1.0 \pm 0.1 \mu s$   
 $t_r = t_f = 20 \pm 2 \text{ ns}$   
 $PRR = 200 \text{ kHz}$

DYNAMIC TEST WAVEFORMS-02

Input pulse  
 $V_{GEN} = V_{DD}$   
 $t_r = t_f = 20 \text{ ns}$   
 $PRR = 200 \text{ kHz}$

FIGURE 4. Switching time waveforms.

STANDARDIZED  
 MILITARY DRAWING  
 DEFENSE ELECTRONICS SUPPLY CENTER  
 DAYTON, OHIO 45444

SIZE  
 A

77060

REVISION LEVEL  
 B

SHEET

10

3.5 Marking. Marking shall be in accordance with MIL-STD-883 (see 3.1 herein). The part shall be marked with the PIN listed in 1.2 herein. In addition, the manufacturer's PIN may also be marked as listed in MIL-BUL-103 (see 6.6 herein).

3.6 Certificate of compliance. A certificate of compliance shall be required from a manufacturer in order to be listed as an approved source of supply in MIL-BUL-103 (see 6.6 herein). The certificate of compliance submitted to DESC-EC prior to listing as an approved source of supply shall affirm that the manufacturer's product meets the requirements of MIL-STD-883 (see 3.1 herein) and the requirements herein.

3.7 Certificate of conformance. A certificate of conformance as required in MIL-STD-883 (see 3.1 herein) shall be provided with each lot of microcircuits delivered to this drawing.

3.8 Notification of change. Notification of change to DESC-EC shall be required in accordance with MIL-STD-883 (see 3.1 herein).

3.9 Verification and review. DESC, DESC's agent, and the acquiring activity retain the option to review the manufacturer's facility and applicable required documentation. Offshore documentation shall be made available onshore at the option of the reviewer.

#### 4. QUALITY ASSURANCE PROVISIONS

4.1 Sampling and inspection. Sampling and inspection procedures shall be in accordance with section 4 of MIL-M-38510 to the extent specified in MIL-STD-883 (see 3.1 herein).

4.2 Screening. Screening shall be in accordance with method 5004 of MIL-STD-883, and shall be conducted on all devices prior to quality conformance inspection. The following additional criteria shall apply:

a. Burn-in test, method 1015 of MIL-STD-883.

(1) Test condition A, B, C, or D. The test circuit shall be maintained by the manufacturer under document revision level control and shall be made available to the preparing or acquiring activity upon request. The test circuit shall specify the inputs, outputs, biases, and power dissipation, as applicable, in accordance with the intent specified in test method 1015 of MIL-STD-883.

(2)  $T_A = +125^\circ\text{C}$ , minimum.

b. Interim and final electrical test parameters shall be as specified in table II herein, except interim electrical parameter tests prior to burn-in are optional at the discretion of the manufacturer.

|   |                   |                             |                     |
|---|-------------------|-----------------------------|---------------------|
| <b>STANDARDIZED<br/>MILITARY DRAWING<br/>DEFENSE ELECTRONICS SUPPLY CENTER<br/>DAYTON, OHIO 45444</b> | <b>SIZE<br/>A</b> |                             | <b>77060</b>        |
|   |                   | <b>REVISION LEVEL<br/>B</b> | <b>SHEET<br/>11</b> |

TABLE II. Electrical test requirements.

|  |  |
|--|--|
| MIL-STD-883 test requirements                                      | Subgroups<br>(per method<br>5005, table I) |
| Interim electrical parameters<br>(method 5004)                     | ----                                       |
| Final electrical test parameters<br>(method 5004)                  | 1*, 2, 3, 7,<br>9                          |
| Group A test requirements<br>(method 5005)                         | 1, 2, 3, 4, 7,<br>8, 9, 10**, 11**         |
| Groups C and D end-point<br>electrical parameters<br>(method 5005) | 1, 2, 3                                    |

\* PDA applies to subgroup 1.

\*\* Subgroups 10 and 11, if not tested, shall be guaranteed to the limits specified in table I.

4.3 Quality conformance inspection. Quality conformance inspection shall be in accordance with method 5005 of MIL-STD-883 including groups A, B, C, and D inspections. The following additional criteria shall apply.

4.3.1 Group A inspection.

- a. Tests shall be as specified in table II herein.
- b. Subgroup 4 ( $C_{IN}$  measurement) shall be measured only for the initial test and after process or design changes which may affect input capacitance. Capacitance shall be measured between the designated terminal and  $V_{SS}$  at a frequency of 1 MHz. Test all applicable pins on 5 devices with zero failures.
- c. Subgroups 7 and 8 tests shall verify the truth table as shown on figure 2.

4.3.2 Groups C and D inspections.

- a. End-point electrical parameters shall be as specified in table II herein.
- b. Steady-state life test conditions, method 1005 of MIL-STD-883.
  - (1) Test condition A, B, C, or D. The test circuit shall be maintained by the manufacturer under document revision level control and shall be made available to the preparing or acquiring activity upon request. The test circuit shall specify the inputs, outputs, biases, and power dissipation, as applicable, in accordance with the intent specified in test method 1005 of MIL-STD-883.
  - (2)  $T_A = +125^\circ\text{C}$ , minimum.
  - (3) Test duration: 1,000 hours, except as permitted by method 1005 of MIL-STD-883.

5. PACKAGING

5.1 Packaging requirements. The requirements for packaging shall be in accordance with MIL-STD-883 (see 3.1 herein).

|   |                   |                             |                     |
|---|-------------------|-----------------------------|---------------------|
| <b>STANDARDIZED<br/>MILITARY DRAWING<br/>DEFENSE ELECTRONICS SUPPLY CENTER<br/>DAYTON, OHIO 45444</b> | <b>SIZE<br/>A</b> |                             | <b>77060</b>        |
|   |                   | <b>REVISION LEVEL<br/>B</b> | <b>SHEET<br/>12</b> |

6. NOTES

6.1 Intended use. Microcircuits conforming to this drawing are intended for use for Government microcircuit applications (original equipment), design applications, and logistic purposes.

6.2 Replaceability. Microcircuits covered by this drawing will replace the same generic device covered by a contractor-prepared specification or drawing.

6.3 Configuration control of SMD's. All proposed changes to existing SMD's will be coordinated with the users of record for the individual documents. This coordination will be accomplished in accordance with MIL-STD-973 using DD Form 1692, Engineering Change Proposal.

6.4 Record of users. Military and industrial users shall inform Defense Electronics Supply Center when a system application requires configuration control and the applicable SMD. DESC will maintain a record of users and this list will be used for coordination and distribution of changes to the drawings. Users of drawings covering microelectronics devices (FSC 5962) should contact DESC-EC, telephone (513) 296-6047.

6.5 Comments. Comments on this drawing should be directed to DESC-EC, Dayton, Ohio 45444, or telephone (513) 296-8525.

6.6 Approved sources of supply. Approved sources of supply are listed in MIL-BUL-103. The vendors listed in MIL-BUL-103 have agreed to this drawing and a certificate of compliance (see 3.6 herein) has been submitted to and accepted by DESC-EC.

|   |                   |                             |                     |
|---|-------------------|-----------------------------|---------------------|
| <b>STANDARDIZED<br/>MILITARY DRAWING<br/>DEFENSE ELECTRONICS SUPPLY CENTER<br/>DAYTON, OHIO 45444</b> | <b>SIZE<br/>A</b> |                             | <b>77060</b>        |
|   |                   | <b>REVISION LEVEL<br/>B</b> | <b>SHEET<br/>13</b> |