

**PLEASE CHECK WWW.MOLEX.COM FOR LATEST PART INFORMATION**

**Part Number:** [0493910001](#)  
**Status:** **Active**  
**Description:** 6.60mm (.259") Pitch Wire-to-Board Receptacle, Dual Row, Vertical, 8 Circuits, Polyester Carbonate UL94V-0, White

**Documents:**

[Drawing \(PDF\)](#) [RoHS Certificate of Compliance \(PDF\)](#)  
[Product Specification PS-49391-001 \(PDF\)](#)

**General**

Product Family	Crimp Housings
Series	<a href="#">49391</a>
Comments	Polarized to Mating Part
Product Name	N/A

**Physical**

Breakaway	No
Circuits (maximum)	8
Color - Resin	Natural
Gender	Female
Glow-Wire Compliant	No
Keying to Mating Part	None
Lock to Mating Part	Yes
Number of Rows	2
Packaging Type	Bag
Panel Mount	No
Pitch - Mating Interface (in)	0.257 In
Pitch - Mating Interface (mm)	6.53 mm
Pitch - Term. Interface (in)	0.257 In
Pitch - Term. Interface (mm)	6.53 mm
Polarized to Mating Part	Yes
Temperature Range - Operating	-40°C to +120°C

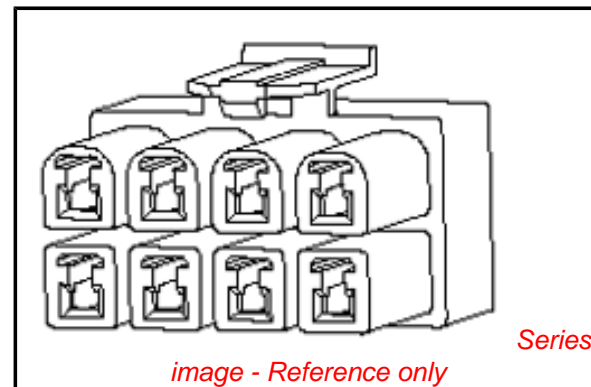
**Electrical**

Current - Maximum per Contact	0.5A
-------------------------------	------

**Material Info**

**Reference - Drawing Numbers**

Product Specification	PS-49391-001
Sales Drawing	SD-49391-001



**EU RoHS**

**ELV and RoHS Compliant**  
**REACH SVHC**  
 Not Reviewed  
**Halogen-Free Status**  
 Not Reviewed

**China RoHS**



**Need more information on product environmental compliance?**

Email [productcompliance@molex.com](mailto:productcompliance@molex.com)  
 For a multiple part number RoHS Certificate of Compliance, [click here](#)

Please visit the [Contact Us](#) section for any non-product compliance questions.

**Search Parts in this Series**

[49391Series](#)

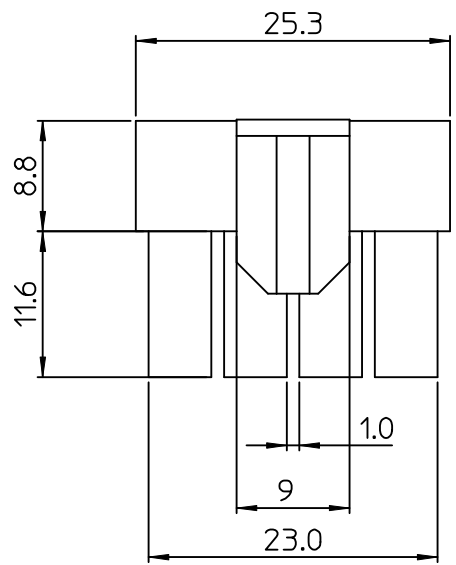
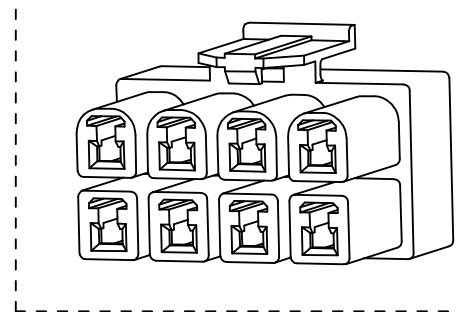
**Mates With**

[49390 PCB Header](#)

**Use With**

[579636202 Crimp Terminal](#)

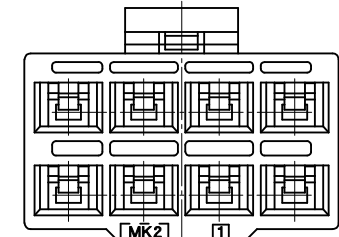
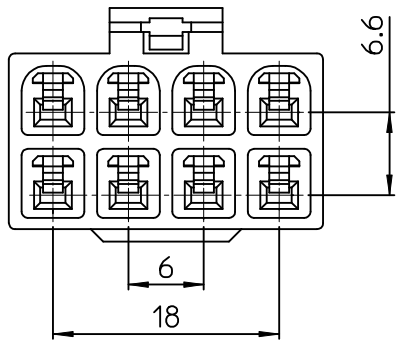
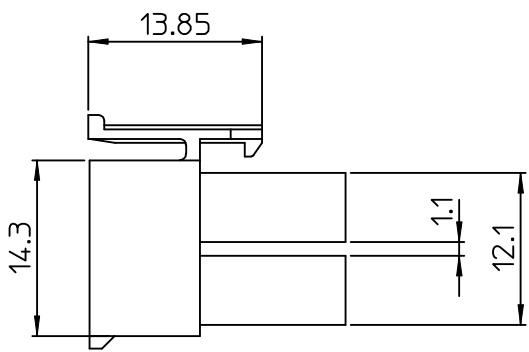
10 9 8 7 6 5 4 3 2 1



NOTES

- 1. MATERIAL & COLOR : SEE TABLE
- 2. MATED HOUSING : 49390-000\*
- 3. APPLICABLE TERMINAL : 57963-6202

NO.	ENG NO.	COLOR	MATERIAL
1	49391-0001	NATURAL	PC/PET (UL94V-0)
2	49391-0002	RED	
3	49391-0004	BLUE	



TRADE MARK  
(MK2)

CAVITY NO.  
(1,2,3...)

REVISED EC NO: KOR2009-0093 DRWN: JHPARK01 2008/12/29 CHKD: WY YANG 2008/12/30 APPR: YUNSIKKIM 2009/01/05	DESCRIPTION B	QUALITY SYMBOLS	GENERAL TOLERANCES (UNLESS SPECIFIED)	DIMENSION STYLE	SCALE	DESIGN UNITS	THIRD ANGLE PROJECTION	
		▼=0 ▽=0	mm    INCH 4 PLACES ± --- ± --- 3 PLACES ± --- ± --- 2 PLACES ± 0.2 ± --- 1 PLACE ± 0.3 ± --- ANGULAR ± 1°	MM ONLY	2:1	METRIC		
			DRAFT WHERE APPLICABLE MUST REMAIN WITHIN DIMENSIONS	DRAWN BY: JH.PARK    DATE: 2006/05/30 CHECKED BY: WY.YANG    DATE: 2006/05/30 APPROVED BY: WY.YANG    DATE: 2006/05/30	TITLE	.070 W/B CONN-8P HOUSING		
			SEE TABLE	MATERIAL NO.    DOCUMENT NO.    SHEET NO. MOLEX INCORPORATED    SD-49391-001    1 OF 01				

9 8 7 6 5 4 3 2 1