

PLEASE CHECK WWW.MOLEX.COM FOR LATEST PART INFORMATION

Part Number: [0431784002](#)
Status: **Active**
Overview: [sabre](#)
Description: Sabre™ Crimp Terminal, Male, with Tin (Sn) Plated Brass Contacts, 18 AWG or 20 AWG, Reel Packaged

Documents:

[Drawing \(PDF\)](#) [RoHS Certificate of Compliance \(PDF\)](#)

General

Product Family	Crimp Terminals
Series	43178
Crimp Quality Equipment	Yes
Overview	sabre
Product Literature Order No	USA-113
Product Name	Sabre™

Physical

Durability (mating cycles max)	25
Gender	Male
Material - Metal	Brass
Material - Plating Mating	Tin
Material - Plating Termination	Tin
Packaging Type	Reel
Plating min: Mating (µin)	20
Plating min: Mating (µm)	0.50
Plating min: Termination (µin)	20
Plating min: Termination (µm)	0.50
Termination Interface: Style	Crimp or Compression
Wire Insulation Diameter	3.30mm (.130") max.
Wire Size AWG	18, 20
Wire Size mm²	N/A

Material Info

Reference - Drawing Numbers

Sales Drawing	SD-43178-002
---------------	--------------

EU RoHS

ELV and RoHS Compliant
REACH SVHC Contains SVHC: No
Halogen-Free Status
Halogen-Free

China RoHS



Need more information on product environmental compliance?

Email productcompliance@molex.com
 For a multiple part number RoHS Certificate of Compliance, [click here](#)

Please visit the [Contact Us](#) section for any non-product compliance questions.

Search Parts in this Series

[43178Series](#)

Mates With

[43375 Female Crimp Terminals](#)

Use With

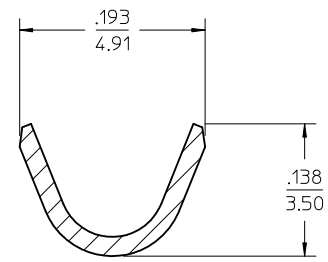
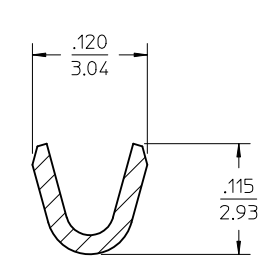
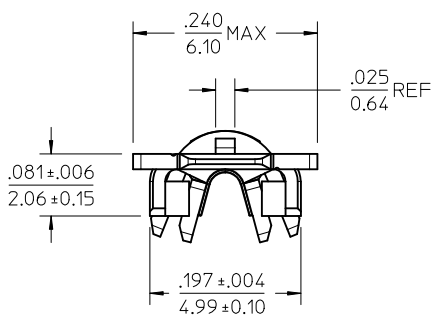
[43680 Plug Housings](#)

Application Tooling | [FAQ](#)

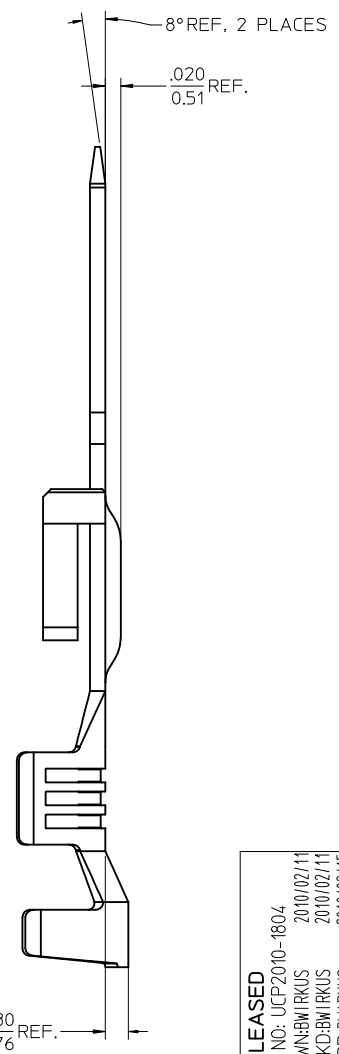
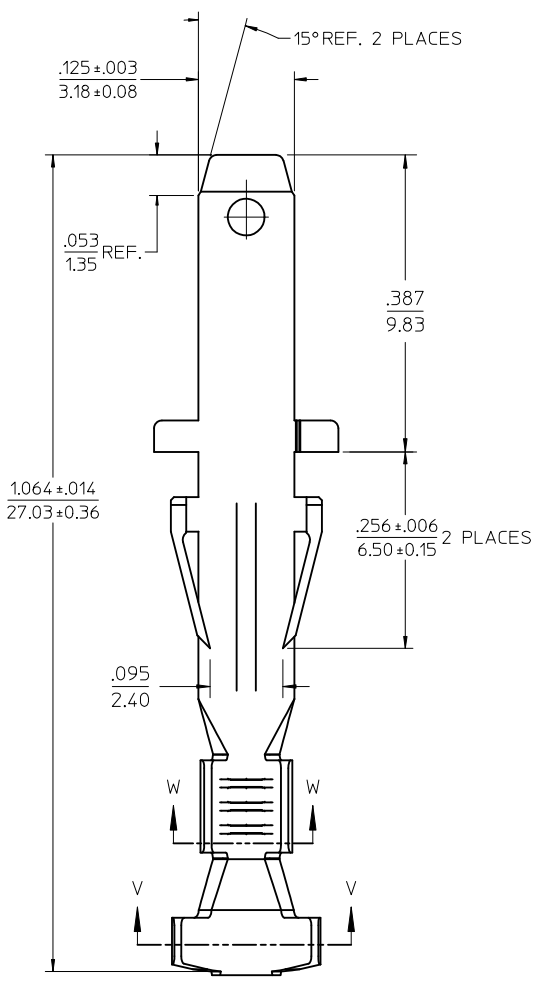
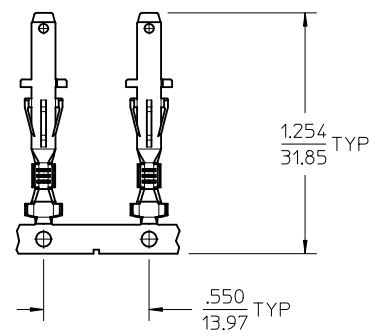
Tooling specifications and manuals are found by selecting the products below. Crimp Height Specifications are then contained in the Application Tooling Specification document.

Global

Description	Product #
Hand Crimp Tool for Sabre™ Crimp Terminals	0638233300
Fine Adjust Applicator for Sabre™ Male Flat Blade Crimp Terminals	0639013300



MATERIAL NUMBER	FINISH
43178-4001	999
43178-4002	H901



NOTES

1. MATERIAL: BRASS
2. FINISH:
999 - UNPLATED
H901 - 20 MICROINCH / 0.5 MICROMETERE MIN. PREPLATED HOT TIN DIP
3. PRODUCT SPECIFICATION: PS-44441-001
4. PACKAGING: TERMINALS ARE WOUND ON 30" REELS WITH PAPER INTERLEAF. 6000 PER REEL.
5. TERMINAL ACCEPTS SINGLE #18 OR #20 AWG STRANDED WIRE, INSULATION: UL TYPE 1015, .098-.110 / 2.50-2.85 DIAMETER, (.031 / 0.79 NOMINAL JACKET WALL THICKNESS).
6. TERMINAL FOR USE IN "SABRE" PLUG HOUSINGS, SERIES 43680. MATES TO 43374 / 43375 SERIES TERMINALS.
7. TERMINAL HAS TPA (TOTAL POSITIONING ASSURANCE) OPTIONAL ACTIVATION FEATURE THAT WHEN ACTIVATED AND USED WITH MOLEX "SABRE" SERIES PLUG HOUSINGS PROVIDES A SECONDARY LOCK SYSTEM WHICH ENSURES AGAINST TERMINAL BACKOUTS.

RELEASED EC NO: UCP2010-1804 DRWN: BWIRKUS 2010/02/11 CHKD: BWIRKUS 2010/02/11 APPR: BWIRKUS 2010/02/15	QUALITY SYMBOLS ▼=0 ▽=0	GENERAL TOLERANCES (UNLESS SPECIFIED)		DIMENSION STYLE IN/MM	SCALE 8:1	DESIGN UNITS INCH	THIRD ANGLE PROJECTION	
		mm	INCH	DRAWN BY C STEWART	DATE 02-23-06	TITLE TERMINAL, MALE CRIMP, 18-20 AWG, .125 WIDE TAB SABRE SERIES, W/ TPA		
REV A	DESCRIPTION	4 PLACES ± --- ± ---		CHECKED BY BWIRKUS	DATE 02-23-06	MOLEX INCORPORATED		
		3 PLACES ± --- ± .010		APPROVED BY BWIRKUS	DATE 02-23-06	DOCUMENT NO. SD-43178-002		
2 PLACES ± 0.25 ± .014		1 PLACE ± 0.35 ± ---		MATERIAL NO. SEE CHART		SHEET NO. 1 OF 1		
ANGULAR ± 1/2°		DRAFT WHERE APPLICABLE MUST REMAIN WITHIN DIMENSIONS		THIS DRAWING CONTAINS INFORMATION THAT IS PROPRIETARY TO MOLEX INCORPORATED AND SHOULD NOT BE USED WITHOUT WRITTEN PERMISSION				