

PLEASE CHECK WWW.MOLEX.COM FOR LATEST PART INFORMATION

Part Number: [0395314003](#)
Status: **Active**
Description: 5.08mm (.200") Pitch Eurostyle™ Vertical PCB Header, Surface Mount Compatible, 3 Circuits

Documents:

[3D Model](#) [Product Specification PS-39500-001 \(PDF\)](#)
[Drawing \(PDF\)](#) [RoHS Certificate of Compliance \(PDF\)](#)

General

| | |
|-----------------------------|---------------------------|
| Product Family | Terminal Blocks |
| Series | 39531 |
| Application | Wire-to-Board |
| Component Type | PCB Header |
| Product Literature Order No | USA-355 |
| Product Name | ESE, Eurostyle™ Pluggable |
| Type | Euro Block |

Physical

| | |
|--------------------------------|-----------------|
| Circuits (Loaded) | 3 |
| Entry Angle | N/A |
| Lock to Mating Part | Yes |
| Number of Rows | 1 |
| Orientation | Vertical |
| PC Tail Length (in) | 0.200 In |
| PC Tail Length (mm) | 5.08 mm |
| PCB Thickness Recommended (in) | 0.125 In |
| PCB Thickness Recommended (mm) | 5.08 mm |
| Panel Mount | No |
| Pitch - Mating Interface (in) | 0.200 In |
| Pitch - Mating Interface (mm) | 5.08 mm |
| Polarized to Mating Part | Yes |
| Shrouded | Closed Ends |
| Stackable | No |
| Surface Mount Compatible (SMC) | Yes |
| Temperature Range - Operating | -40°C to +140°C |
| Wire Size AWG | N/A |

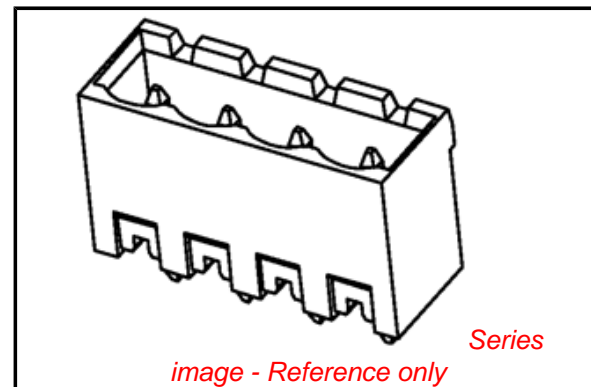
Electrical

| | |
|-------------------------------|------|
| Current - Maximum per Contact | 15A |
| Voltage - Maximum | 300V |

Material Info

Reference - Drawing Numbers

| | |
|-----------------------|----------------------------|
| Product Specification | PS-39500-001 |
| Sales Drawing | SD-39501-002, SD-39531-001 |



EU RoHS

ELV and RoHS Compliant
REACH SVHC
 Not Reviewed
Halogen-Free Status

China RoHS



Not Reviewed

Need more information on product environmental compliance?

Email productcompliance@molex.com
 For a multiple part number RoHS Certificate of Compliance, [click here](#)

Please visit the [Contact Us](#) section for any non-product compliance questions.

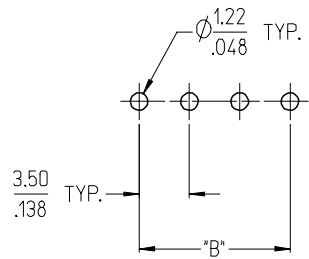
Search Parts in this Series

[39531Series](#)

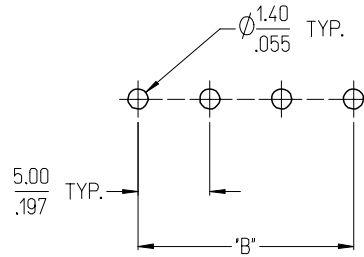
Mates With

[39530](#) Horizontal Plug, [39533](#) Vertical Plug, Most 5.08mm (.200") Pitch Industry Standard Plugs

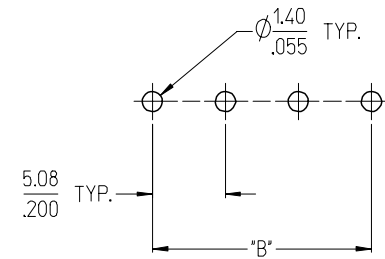
3950X SERIES
3.50mm HEADERS



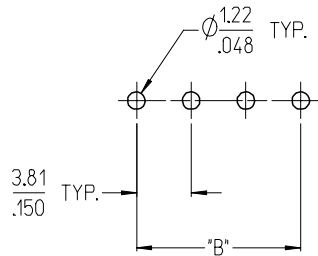
3952X & 3954X SERIES
5.00mm HEADERS
5.00mm 10 AMP FIXED



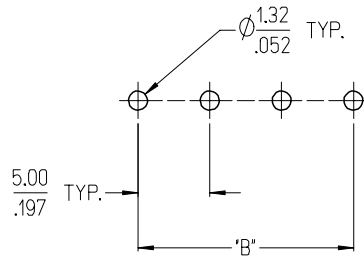
3953X SERIES
5.08mm HEADERS



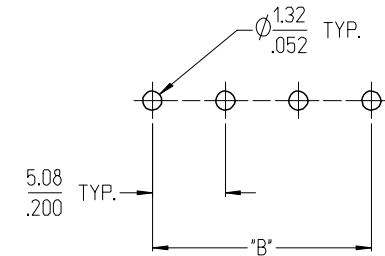
3951X SERIES
3.81mm HEADERS



3954X SERIES
5.00mm 15 AMP FIXED



3954X SERIES
5.08mm 15 AMP FIXED



NOTES:

- REFER TO INDIVIDUAL PRODUCT SALES DRAWINGS FOR "B" DIMENSION.
- DOES NOT APPLY TO DUAL LEVEL HEADERS, SERIES 39528 AND 39538.
- TYP. = TYPICAL.

INITIAL RELEASE
EC NO: ETC2007-0096
DRW: CLYORK 2006/10/02
CHKD: JMACNEIL 2006/10/04
APPR: JMACNEIL 2006/10/04

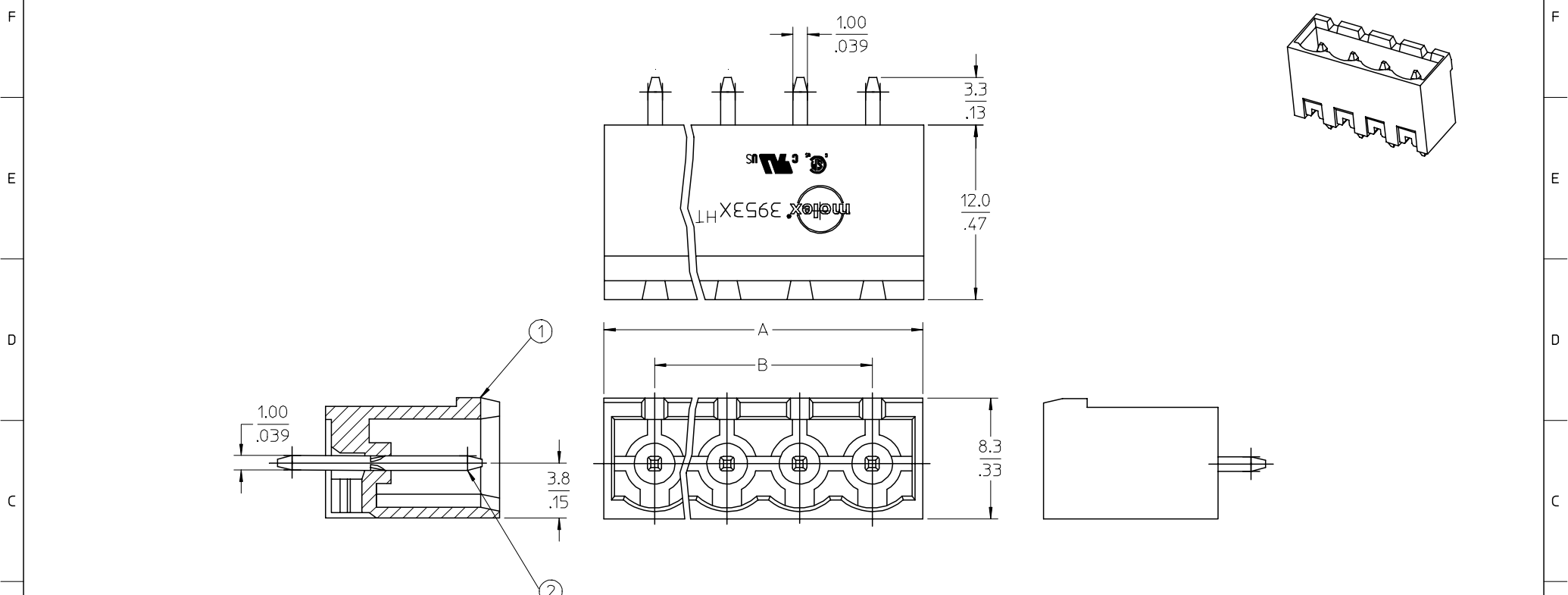
| REV | DESCRIPTION |
|-----|-------------|
| A | |

| | QUALITY SYMBOLS | |
|---------------|-----------------|--------|
| | mm | INCH |
| 4 PLACES | ± .005 | ± .005 |
| 3 PLACES | ± .010 | ± .005 |
| 2 PLACES | ± 0.13 | ± .01 |
| 1 PLACE | ± 0.3 | ± .01 |
| ANGULAR ± 2 ° | | |

| GENERAL TOLERANCES (UNLESS SPECIFIED) | |
|---------------------------------------|--------|
| mm | INCH |
| 4 PLACES | ± .005 |
| 3 PLACES | ± .010 |
| 2 PLACES | ± 0.13 |
| 1 PLACE | ± 0.3 |
| ANGULAR ± 2 ° | |

| DIMENSION STYLE | SCALE | DESIGN UNITS | THIRD ANGLE PROJECTION |
|-----------------|------------|---|------------------------|
| MM/IN | 3:1 | INCH | |
| DRAWN BY | DATE | TITLE | |
| C. YORK | 2006/08/25 | RECOMMENDED PCB LAYOUT FOR ESE TERMINAL BLOCKS | |
| CHECKED BY | DATE | MOLEX INCORPORATED | |
| J. MACNEIL | 2006/08/25 | DOCUMENT NO. SD-39501-002 | |
| APPROVED BY | DATE | SHEET NO. 1 OF 1 | |
| J. MACNEIL | 2006/08/25 | | |
| MATERIAL NO. | --- | THIS DRAWING CONTAINS INFORMATION THAT IS PROPRIETARY TO MOLEX INCORPORATED AND SHOULD NOT BE USED WITHOUT WRITTEN PERMISSION | |

10 9 8 7 6 5 4 3 2 1



SPECIFICATIONS:

- 1. Material:
- (1). Body: PA46
- (2). Pin: Brass
- 2. Wire range: N/A
- 3. Electrical rating: 300V, 15A.
- 4. Wire strip length: N/A
- 5. Operating temperature: -40C to +140C.
- 6. Max torque: N/A
- 7. Insulation resistance: DC 500V, 500M.
- 8. Dielectric withstand: AC 2500V for 1 minute.
- 9. Breakdown voltage: 4000V.
- 10. A = (N x P) x 2.0mm
- 11. B = (N - 1) x P
- 12. P (PITCH) = 5.08mm (.200").
- 13. N = Number of positions available 2 through 24.

| | | | | | | | | | |
|---|-------------------------------|---------------------------------------|------------|---|--------------------|--------------|--|--|--|
| ENTER DESCRIPTION EC NO: NEO2006-0310 DRWNL: LROTHAUS 2006/01/09 CHKD: CYORK 2006/01/09 APPR: JPAWLICK 2006/01/10 | QUALITY SYMBOLS ▽=0 ▽=0 | GENERAL TOLERANCES (UNLESS SPECIFIED) | | DIMENSION STYLE | SCALE | DESIGN UNITS | THIRD ANGLE PROJECTION | | |
| | | | mm | INCH | MM/IN | 4:1 | INCH | | |
| | | 4 PLACES | ± --- | ± .0015 | DRAWN BY | DATE | TITLE | | |
| | | 3 PLACES | ± 0.038 | ± .005 | LROTHAUS | 12/6/05 | 5.08MM, EURO HEADER, VERTICAL, HI-TEMP | | |
| 2 PLACES | ± 0.13 | ± .01 | CHECKED BY | DATE | MOLEX INCORPORATED | | | | |
| 1 PLACE | ± 0.3 | ± --- | C. YORK | 01/06/06 | SD-39531-001 | | | | |
| ANGULAR ± 2 ° | | APPROVED BY | | DATE | SHEET NO. | | | | |
| DRAFT WHERE APPLICABLE MUST REMAIN WITHIN DIMENSIONS | | MATERIAL NO. | | DATE | 1 OF 1 | | | | |
| | | SEE CHART | | THIS DRAWING CONTAINS INFORMATION THAT IS PROPRIETARY TO MOLEX INCORPORATED AND SHOULD NOT BE USED WITHOUT WRITTEN PERMISSION | | | | | |

9 8 7 6 5 4 3 2 1

| Description | Circuit Size | Material Numbers | | | | | | | | | | | | Dimensional Information | | | |
|--|--------------|------------------|-----------|------------------|------------|------------------|-----------|------------------|-----------|------------------|------------|------------------|-----------|-------------------------|-------|--------|-------|
| | | Black | | | | | | Green | | | | | | Dim. A | | Dim. B | |
| | | 100% Tin | | | 30 u" Gold | | | 100% Tin | | | 30 u" Gold | | | | | | |
| | | Printing Options | | Printing Options | | Printing Options | | Printing Options | | Printing Options | | Printing Options | | | | | |
| None | 10AV | 11AV | None | 10AV | 11AV | None | 10AV | 11AV | None | 10AV | 11AV | mm | inch | mm | inch | | |
| 5.08mm, Euro Header, Vertical, High Temp | 2 | 395314002 | 395314302 | 395314402 | 395314502 | 395314802 | 395314902 | 395319002 | 395319302 | 395319402 | 395319502 | 395319802 | 395319902 | 12.16 | 0.479 | 5.08 | 0.200 |
| 5.08mm, Euro Header, Vertical, High Temp | 3 | 395314003 | 395314303 | 395314403 | 395314503 | 395314803 | 395314903 | 395319003 | 395319303 | 395319403 | 395319503 | 395319803 | 395319903 | 17.24 | 0.679 | 10.16 | 0.400 |
| 5.08mm, Euro Header, Vertical, High Temp | 4 | 395314004 | 395314304 | 395314404 | 395314504 | 395314804 | 395314904 | 395319004 | 395319304 | 395319404 | 395319504 | 395319804 | 395319904 | 22.32 | 0.879 | 15.24 | 0.600 |
| 5.08mm, Euro Header, Vertical, High Temp | 5 | 395314005 | 395314305 | 395314405 | 395314505 | 395314805 | 395314905 | 395319005 | 395319305 | 395319405 | 395319505 | 395319805 | 395319905 | 27.40 | 1.079 | 20.32 | 0.800 |
| 5.08mm, Euro Header, Vertical, High Temp | 6 | 395314006 | 395314306 | 395314406 | 395314506 | 395314806 | 395314906 | 395319006 | 395319306 | 395319406 | 395319506 | 395319806 | 395319906 | 32.48 | 1.279 | 25.40 | 1.000 |
| 5.08mm, Euro Header, Vertical, High Temp | 7 | 395314007 | 395314307 | 395314407 | 395314507 | 395314807 | 395314907 | 395319007 | 395319307 | 395319407 | 395319507 | 395319807 | 395319907 | 37.56 | 1.479 | 30.48 | 1.200 |
| 5.08mm, Euro Header, Vertical, High Temp | 8 | 395314008 | 395314308 | 395314408 | 395314508 | 395314808 | 395314908 | 395319008 | 395319308 | 395319408 | 395319508 | 395319808 | 395319908 | 42.64 | 1.679 | 35.56 | 1.400 |
| 5.08mm, Euro Header, Vertical, High Temp | 9 | 395314009 | 395314309 | 395314409 | 395314509 | 395314809 | 395314909 | 395319009 | 395319309 | 395319409 | 395319509 | 395319809 | 395319909 | 47.72 | 1.879 | 40.64 | 1.600 |
| 5.08mm, Euro Header, Vertical, High Temp | 10 | 395314010 | 395314310 | 395314410 | 395314510 | 395314810 | 395314910 | 395319010 | 395319310 | 395319410 | 395319510 | 395319810 | 395319910 | 52.80 | 2.079 | 45.72 | 1.800 |
| 5.08mm, Euro Header, Vertical, High Temp | 11 | 395314011 | 395314311 | 395314411 | 395314511 | 395314811 | 395314911 | 395319011 | 395319311 | 395319411 | 395319511 | 395319811 | 395319911 | 57.88 | 2.279 | 50.80 | 2.000 |
| 5.08mm, Euro Header, Vertical, High Temp | 12 | 395314012 | 395314312 | 395314412 | 395314512 | 395314812 | 395314912 | 395319012 | 395319312 | 395319412 | 395319512 | 395319812 | 395319912 | 62.96 | 2.479 | 55.88 | 2.200 |
| 5.08mm, Euro Header, Vertical, High Temp | 13 | 395314013 | 395314313 | 395314413 | 395314513 | 395314813 | 395314913 | 395319013 | 395319313 | 395319413 | 395319513 | 395319813 | 395319913 | 68.04 | 2.679 | 60.96 | 2.400 |
| 5.08mm, Euro Header, Vertical, High Temp | 14 | 395314014 | 395314314 | 395314414 | 395314514 | 395314814 | 395314914 | 395319014 | 395319314 | 395319414 | 395319514 | 395319814 | 395319914 | 73.12 | 2.879 | 66.04 | 2.600 |
| 5.08mm, Euro Header, Vertical, High Temp | 15 | 395314015 | 395314315 | 395314415 | 395314515 | 395314815 | 395314915 | 395319015 | 395319315 | 395319415 | 395319515 | 395319815 | 395319915 | 78.20 | 3.079 | 71.12 | 2.800 |
| 5.08mm, Euro Header, Vertical, High Temp | 16 | 395314016 | 395314316 | 395314416 | 395314516 | 395314816 | 395314916 | 395319016 | 395319316 | 395319416 | 395319516 | 395319816 | 395319916 | 83.28 | 3.279 | 76.20 | 3.000 |
| 5.08mm, Euro Header, Vertical, High Temp | 17 | 395314017 | 395314317 | 395314417 | 395314517 | 395314817 | 395314917 | 395319017 | 395319317 | 395319417 | 395319517 | 395319817 | 395319917 | 88.36 | 3.479 | 81.28 | 3.200 |
| 5.08mm, Euro Header, Vertical, High Temp | 18 | 395314018 | 395314318 | 395314418 | 395314518 | 395314818 | 395314918 | 395319018 | 395319318 | 395319418 | 395319518 | 395319818 | 395319918 | 93.44 | 3.679 | 86.36 | 3.400 |
| 5.08mm, Euro Header, Vertical, High Temp | 19 | 395314019 | 395314319 | 395314419 | 395314519 | 395314819 | 395314919 | 395319019 | 395319319 | 395319419 | 395319519 | 395319819 | 395319919 | 98.52 | 3.879 | 91.44 | 3.600 |
| 5.08mm, Euro Header, Vertical, High Temp | 20 | 395314020 | 395314320 | 395314420 | 395314520 | 395314820 | 395314920 | 395319020 | 395319320 | 395319420 | 395319520 | 395319820 | 395319920 | 103.60 | 4.079 | 96.52 | 3.800 |
| 5.08mm, Euro Header, Vertical, High Temp | 21 | 395314021 | 395314321 | 395314421 | 395314521 | 395314821 | 395314921 | 395319021 | 395319321 | 395319421 | 395319521 | 395319821 | 395319921 | 108.68 | 4.279 | 101.60 | 4.000 |
| 5.08mm, Euro Header, Vertical, High Temp | 22 | 395314022 | 395314322 | 395314422 | 395314522 | 395314822 | 395314922 | 395319022 | 395319322 | 395319422 | 395319522 | 395319822 | 395319922 | 113.76 | 4.479 | 106.68 | 4.200 |
| 5.08mm, Euro Header, Vertical, High Temp | 23 | 395314023 | 395314323 | 395314423 | 395314523 | 395314823 | 395314923 | 395319023 | 395319323 | 395319423 | 395319523 | 395319823 | 395319923 | 118.84 | 4.679 | 111.76 | 4.400 |
| 5.08mm, Euro Header, Vertical, High Temp | 24 | 395314024 | 395314324 | 395314424 | 395314524 | 395314824 | 395314924 | 395319024 | 395319324 | 395319424 | 395319524 | 395319824 | 395319924 | 123.92 | 4.879 | 116.84 | 4.600 |

| | | | | | | |
|--|---|---|--|--|---|--|
| SEE SHEET 1 EC NO: NEC2006-0310 DRWN: LROTHAUS 2006/01/09 CHKD: CYORK 2006/01/09 APPR: J.PANLI CK 2006/01/10 | QUALITY SYMBOLS ▽=0 ▽=0 | GENERAL TOLERANCES (UNLESS SPECIFIED) mm INCH 4 PLACES ± --- ±.0015 3 PLACES ± 0.038 ±.005 2 PLACES ± 0.13 ±.01 1 PLACE ± 0.3 ± --- ANGULAR ± 2 ° | DIMENSION STYLE MM/IN DRAWN BY DATE LROTHAUS 12/6/05 CHECKED BY DATE C. YORK 01/04/06 APPROVED BY DATE | SCALE 4:1 DESIGN UNITS INCH THIRD ANGLE PROJECTION | TITLE 5.08MM, EURO HEADER, VERTICAL, HI-TEMP | |
| | MATERIAL NO. SEE CHART | DOCUMENT NO. SD-39531-001 | SHEET NO. 2 OF 2 | | | |
| | DRAFT WHERE APPLICABLE MUST REMAIN WITHIN DIMENSIONS | | | MOLEX INCORPORATED | | |
| | THIS DRAWING CONTAINS INFORMATION THAT IS PROPRIETARY TO MOLEX INCORPORATED AND SHOULD NOT BE USED WITHOUT WRITTEN PERMISSION | | | | | |