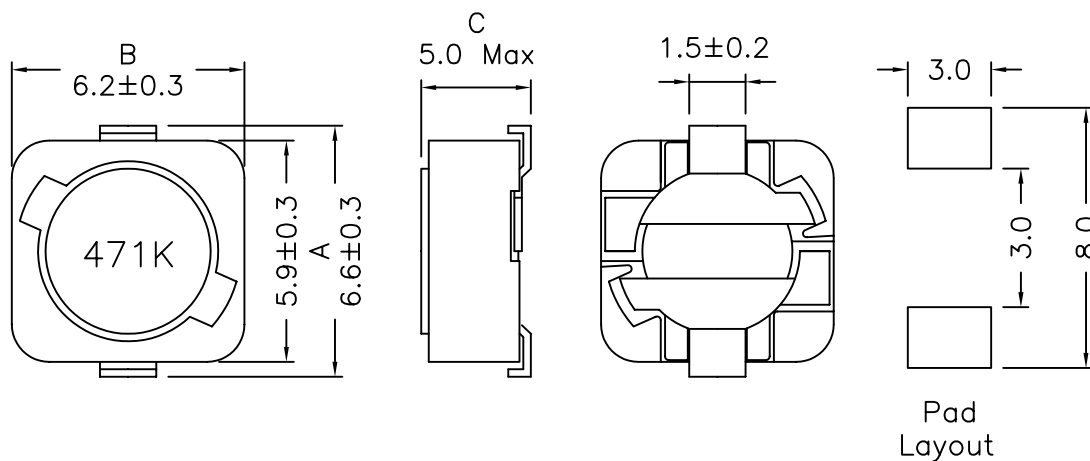
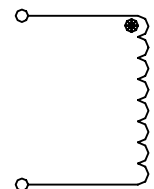


1. Mechanical Dimensions:



2. Schematic:



3. Electrical Specification:

OCL: $470\mu\text{H} \pm 10\%$ @796KHz 1.0V
 Rated Current: 0.18 Adc (based on 40°C Temp Rise)
 Saturation Current: 0.22Adc (Based on 10% drop in OCL)
 DCR: 3.30 Ohms Max
 Q: 18 Typ @796KHz

Notes:

1. Solderability: Leads shall meet MIL-STD-202, Method 208D for solderability.
2. Flammability: UL94V-0
3. ASTM oxygen index: > 28%
4. Insulation System: Class F 155°C. UL file E151556
5. Operating Temperature Range: All listed parameters are to be within tolerance from -40°C to +85°C
6. Storage Temperature Range: -55°C to +125°C
7. Aqueous wash compatible

DOC. REV: A/1

XFMRs Inc.	Title: HIGH CURRENT SELF-LEADED SMT INDUCTORS		
UNLESS OTHERWISE SPECIFIED TOLERANCES: .xx ± 0.25 Dimensions in MM SHEET 1 OF 1	P/N: XFTPRH64B-471K	REV. A	
	DWN.	李小锋	Mar-22-04
	CHK.	廖玉坤	Mar-22-04
	APP.	BW	Mar-22-04