

PLEASE CHECK WWW.MOLEX.COM FOR LATEST PART INFORMATION

Part Number: **0781720410**
Status: **Active**
Overview: picoezmate
Description: 1.20mm (.047") Pitch Pico-EZmate™ Wire-to-Board Crimp Terminal, Gold (Au) Flash over Nickel (Ni) Plated, Lead free

Documents:

[Drawing \(PDF\)](#) [RoHS Certificate of Compliance \(PDF\)](#)
[Product Specification PS-78171-010 \(PDF\)](#)

Agency Certification

CSA LR19980
 UL E29179

General

Product Family Crimp Terminals
 Series 78172
 Crimp Quality Equipment Yes
 Overview picoezmate
 Product Name Pico-EZmate™

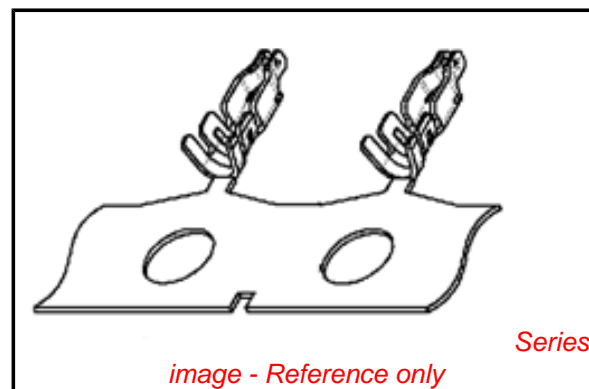
Physical

Durability (mating cycles max) 10
 Flammability 94V-0
 Gender Receptacle
 Material - Metal Phosphor Bronze
 Material - Plating Mating Gold
 Material - Plating Termination Gold
 Packaging Type Reel
 Termination Interface: Style Crimp or Compression
 Wire Insulation Diameter 0.60mm(.024") and 0.58mm(.023
 Wire Size AWG 28, 30
 Wire Size mm² 0.127 AND 0.102

Material Info

Reference - Drawing Numbers

Application Specification AS-78172-001, AS-78172-006
 Packaging Specification PK-89990-681
 Product Specification PS-78171-010
 Sales Drawing SD-78172-008



EU RoHS

ELV and RoHS Compliant
REACH SVHC Contains SVHC: No
Halogen-Free Status

China RoHS



Need more information on product environmental compliance?

Email productcompliance@molex.com
 For a multiple part number RoHS Certificate of Compliance, [click here](#)

Please visit the [Contact Us](#) section for any non-product compliance questions.

Search Parts in this Series

78172Series

Mates With

78171 PCB Header

Use With

78172 Crimp Receptacle Housings

Application Tooling | FAQ

Tooling specifications and manuals are found by selecting the products below. Crimp Height Specifications are then contained in the Application Tooling Specification document.

Global

Description	Product #
FineAdjust™ Applicator for 1.20mm (.047") Pico-EZMate™ Wire-to-Board Terminals	<u>0639011300</u>
T2 Terminator for 1.20mm (.047") Pico-	<u>0639111300</u>

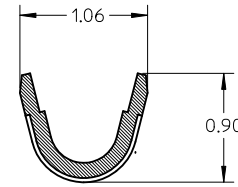
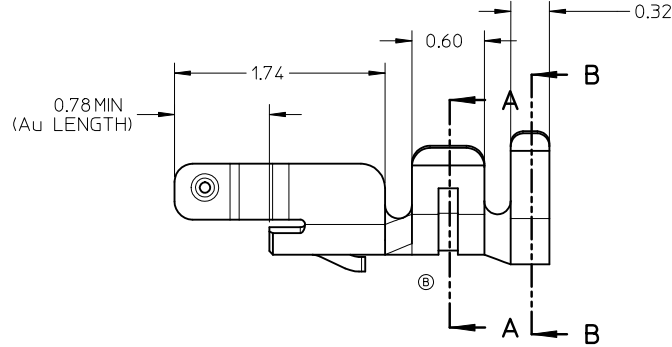
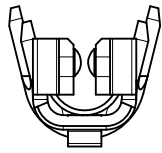
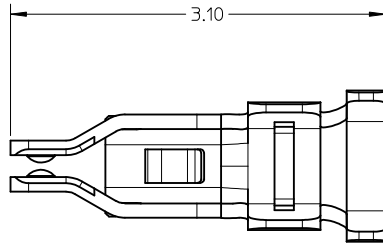
Ezmate™, 28-30
AWG
Hand Crimp Tool for 0638194300
Pico-Ezmate™ Wire-
to-Board Terminal,
28-30 AWG for loose
parts only
Extraction Tool 0638132700
Hand Tool for 0638194800
1.20mm (.047")
Pitch Pico-Ezmate™
Crimp Terminals,
28 AWG for reeled
product
Hand Tool for 0638230100
1.20mm (.047")
Pitch Pico-Ezmate™
Crimp Terminals,
30 AWG for reeled
product

This document was generated on 06/08/2010

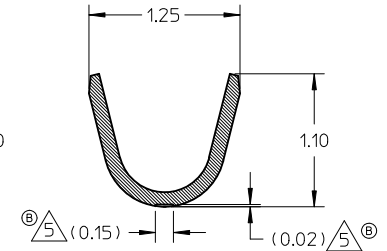
PLEASE CHECK WWW.MOLEX.COM FOR LATEST PART INFORMATION

PART NUMBER

78172-0410
(REEL FORM)



SECTION A-A
(CONDUCTOR BARREL)



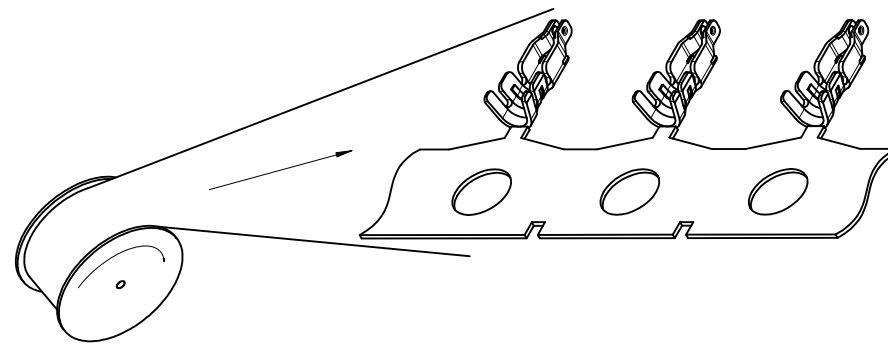
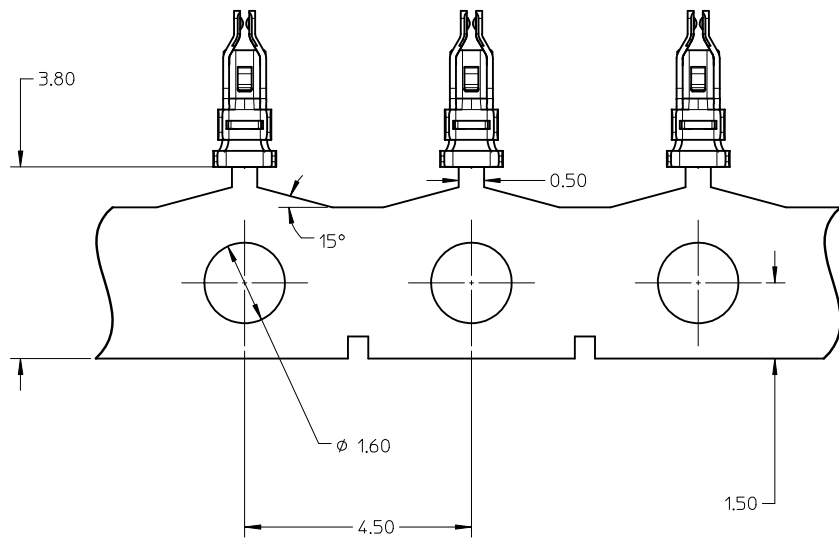
SECTION B-B
(INSULATION BARREL)

NOTES:

1. MATERIAL: COPPER ALLOY
 2. PLATING :
GOLD FLASH OVER 1.0uMIN. NICKEL OVERALL
 3. TERMINAL TO BE USED WITH MOLEX HOUSING PART NO : 78172-00**
 4. TERMINAL TO BE USED WITH WIRE AWG#28, AWG#30
- OPTIONAL TOOL MARK FOR TOOL RECOGNITION PURPOSE

REVISED EC NO: J2010-0783 DRWN: CWLAM 2009/11/12 CHKD: LSLEE 2009/12/11 APPR: NUKITA 2009/12/14	DESCRIPTION REV	QUALITY SYMBOLS	GENERAL TOLERANCES (UNLESS SPECIFIED)		DIMENSION STYLE	SCALE	DESIGN UNITS	THIRD ANGLE PROJECTION	
		▽=0 □=0	mm INCH	MM ONLY	NTS	METRIC			
			4 PLACES	± --- ± ---	DRAWN BY	DATE	TITLE		
			3 PLACES	± --- ± ---	CWLAM	2007/11/05	1.20MM PITCH, W-T-B		
			2 PLACES	± 0.30 ± ---	CHECKED BY	DATE	1.40MM HEIGHT		
			1 PLACE	± --- ± ---	KSSHANTHA	2007/12/07	RECEPTACLE CONNECTOR		
			ANGULAR ± 1 °		APPROVED BY	DATE	MOLEX INCORPORATED		
			DRAFT WHERE APPLICABLE MUST REMAIN WITHIN DIMENSIONS		NAGESGKN	2007/12/14	DOCUMENT NO.		SHEET NO.
					SEE TABLE		SD-78172-008		1 OF 2
					THIS DRAWING CONTAINS INFORMATION THAT IS PROPRIETARY TO MOLEX INCORPORATED AND SHOULD NOT BE USED WITHOUT WRITTEN PERMISSION				

10 9 8 7 6 5 4 3 2 1



CUSTOMER PULL OUT DIRECTION

REVISED EC NO: J2010-0783 DRWN: CWLAM 2009/11/12 CHKD: LSLEE 2009/12/11 APPR: NUKITA 2009/12/14	QUALITY SYMBOLS	GENERAL TOLERANCES (UNLESS SPECIFIED)	DIMENSION STYLE	SCALE	DESIGN UNITS	THIRD ANGLE PROJECTION															
	$\nabla=0$ $\text{C}=0$	<table border="1"> <thead> <tr> <th></th> <th>mm</th> <th>INCH</th> </tr> </thead> <tbody> <tr> <td>4 PLACES</td> <td>± ---</td> <td>± ---</td> </tr> <tr> <td>3 PLACES</td> <td>± ---</td> <td>± ---</td> </tr> <tr> <td>2 PLACES</td> <td>± 0.30</td> <td>± ---</td> </tr> <tr> <td>1 PLACE</td> <td>± ---</td> <td>± ---</td> </tr> </tbody> </table>		mm	INCH	4 PLACES	± ---	± ---	3 PLACES	± ---	± ---	2 PLACES	± 0.30	± ---	1 PLACE	± ---	± ---	MM ONLY	NTS	METRIC	
		mm	INCH																		
	4 PLACES	± ---	± ---																		
3 PLACES	± ---	± ---																			
2 PLACES	± 0.30	± ---																			
1 PLACE	± ---	± ---																			
DESCRIPTION	DRAWN BY: CWLAM CHECKED BY: KSSHANTHA APPROVED BY: NAGESGKN	DATE: 2007/11/05 DATE: 2007/12/07 DATE: 2007/12/14	TITLE: 1.20MM PITCH, W-T-B 1.40MM HEIGHT RECEPTACLE CONNECTOR																		
REV	MATERIAL NO. SEE TABLE	ANGULAR ± 1° DRAFT WHERE APPLICABLE MUST REMAIN WITHIN DIMENSIONS	SIZE: A3 THIS DRAWING CONTAINS INFORMATION THAT IS PROPRIETARY TO MOLEX INCORPORATED AND SHOULD NOT BE USED WITHOUT WRITTEN PERMISSION	MOLEX MOLEX INCORPORATED	DOCUMENT NO. SD-78172-008	SHEET NO. 2 OF 2															

9 8 7 6 5 4 3 2 1