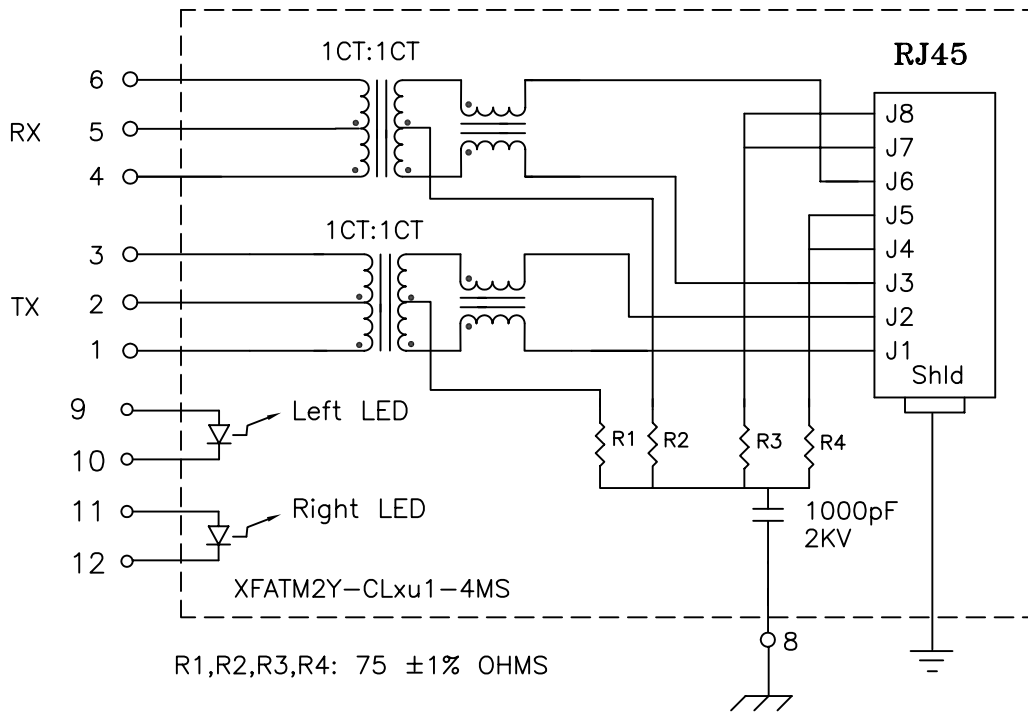


Schematic:



Electrical Specifications: @25°C

Isolation Voltage: 1500 Vac

Isolation Voltage: 500 Vac (1+2+3-4+5+6)

UTP SIDE OCL: 350uH Min @100KHz 100mV 8mADC

Leakage Inductance: P6-P4 0.3uH Max @1MHz 100mV Short J6 and J3

Leakage Inductance: P3-P1 0.3uH Max @1MHz 100mV Short J2 and J1

Cww: (P6, P5, & P4) to (J6 & J3) 30pF Max @1MHz

Cww: (P3, P2, & P1) to (J2 & J1) 30pF Max @1MHz

DCR: (J6-J3) = (J2-J1) 1.2 Ohms Max

Rise Time (10-90%): 2.5ns Typ

Insertion Loss (100KHz-100MHz): -1.2dB Max

Return Loss: -18dB Min @1MHz - 30MHz

Return Loss: -12dB Min @60MHz - 80MHz

Crosstalk: 30dB Typ @1MHz to 100MHz

Common Mode to Differential Mode Rejection:

1MHz-100MHz -35dB Typ (Tx) / -35dB Typ (Rx)

Complete the Combo P/N as follows:

Replace 'x' & 'u' in the part number with one of the LED color letters:

Y=Yellow 'x' = Left LED Color
G=Green 'u' = Right LED Color

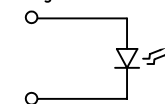
A=Amber

R=Red

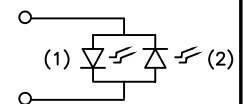
N=Yellow(1)/Green(2) Bicolor

M=Green(1)/Yellow(2) Bicolor

Single Color LED:



Bi-Color LED:



Notes:

1. Solderability: Leads shall meet MIL-STD-202, Method 208D for solderability.
2. Flammability: UL94V-0
3. ASTM oxygen index: > 28%
4. Insulation System: Class F 155°C. UL file E151556
5. Operating Temperature Range: -40°C to +85°C

DOC. REV: A/4

PROPRIETARY:

Document is the property of XFMRS Group & is not allowed to be duplicated without authorization.

XFMRS Inc.

UNLESS OTHERWISE SPECIFIED

TOLERANCES:

.xxx ±0.010

Dimensions in Inch

SHEET 1 OF 2

Title:

SINGLE PORT COMBO

P/N: XFATM2Y-CLxu1-4MS

REV. A

DWN.

李小锋

Mar-02-04

CHK.

廖玉坤

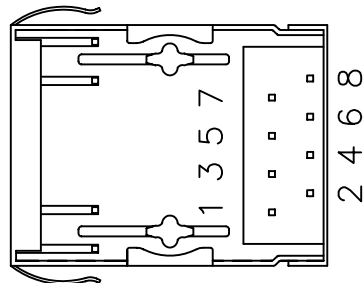
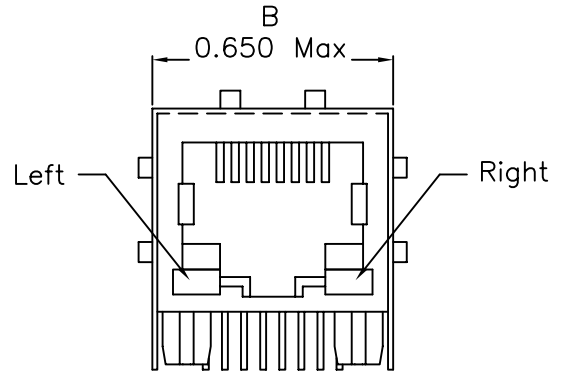
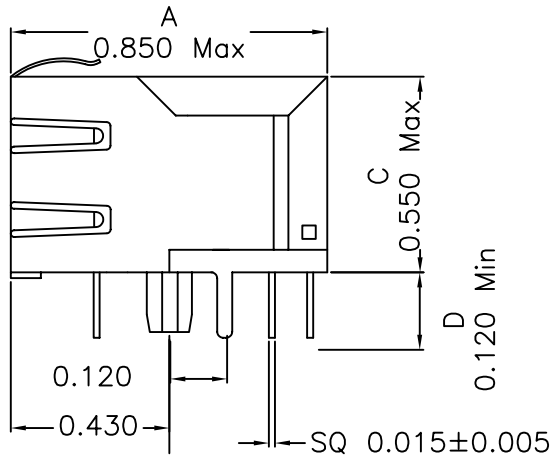
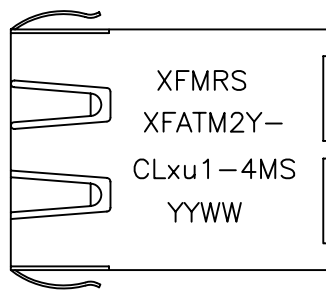
Mar-02-04

APP.

MS

Mar-02-04

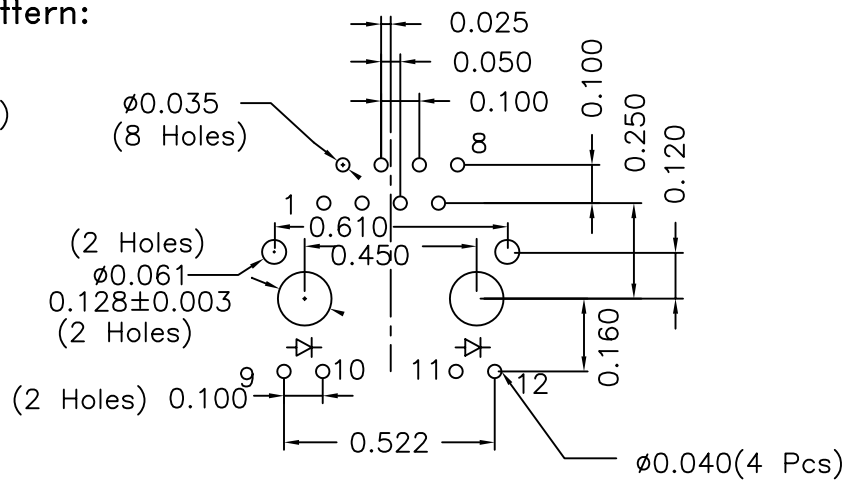
Mechanical Dimensions:



(BOTTOM VIEW)

Mounting Pattern:

(COMP SIDE)



DOC. REV: A/4

XFMRS Inc.

Title: Mechanical Dimensions
For CLxu1-4MS Series

UNLESS OTHERWISE SPECIFIED
TOLERANCES:
.xxx ±0.010
Dimensions in Inch

P/N: XFATM2Y-CLxu1-4MS

REV. A

DWN.

李小锋

Mar-02-04

CHK.

廖玉坤

Mar-02-04

SHEET 2 OF 2

APP.

MS

Mar-02-04

PROPRIETARY:

Document is the property of XFMRS Group & is not allowed to be duplicated without authorization.