

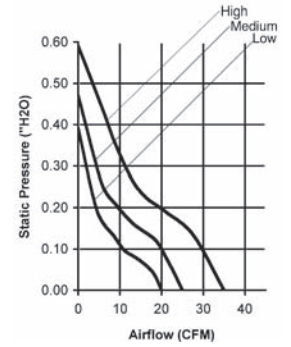
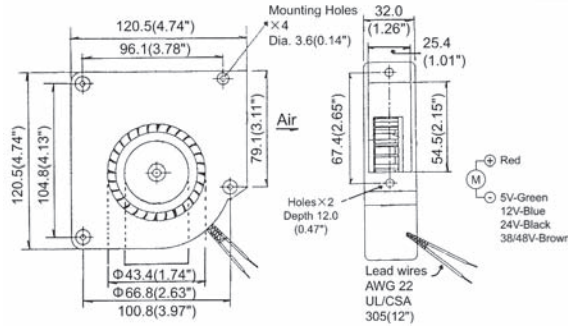
DC BLOWERS



12, 24, 48V
120x32mm (4.7" x 1.25")



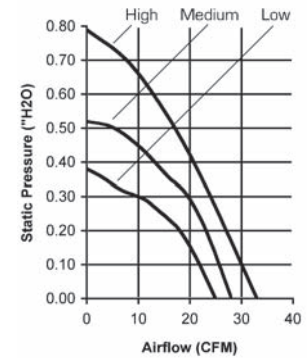
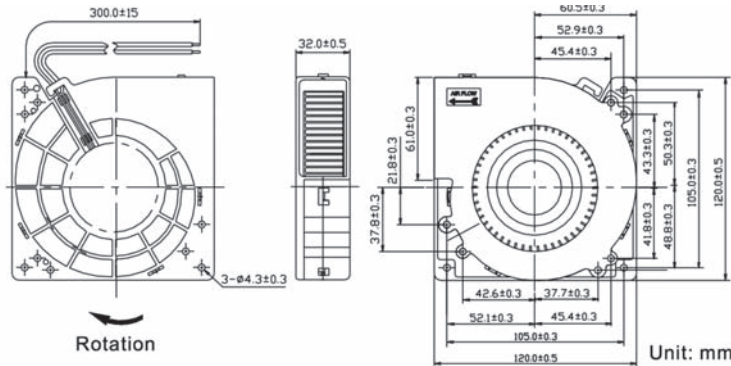
ODB600PT



MODEL NUMBER	SPEED (RPM)	AIRFLOW (CFM)	NOISE (DB)	VOLTS DC	VOLTAGE RANGE	AMPS	MAX. STATIC PRESSURE ("H ₂ O)
ODB600PT-12HB	3000	35	49	12	8~14	0.60	0.59
ODB600PT-12MB	2500	25	42	12	8~14	0.47	0.47
ODB600PT-12LB	1800	20	30	12	8~14	0.20	0.39
ODB600PT-24HB	3000	35	49	24	10~29	0.37	0.59
ODB600PT-24MB	2500	25	42	24	10~29	0.30	0.47
ODB600PT-24LB	1800	20	30	24	10~29	0.20	0.39



ODB1232



Model Number	Speed (RPM)	Airflow (CFM)	Noise (dB)	Volts DC	Voltage Range	Amps	Max. Static Pressure ("H ₂ O)
ODB1232-12HB	2600	33	55	12	6~14	0.79	0.92
ODB1232-12MB	2300	28	49	12	6~14	0.53	0.83
ODB1232-12LB	2100	25	48	12	6~14	0.41	0.66
ODB1232-24HB	2600	33	55	24	12~28	0.43	0.92
ODB1232-24MB	2300	28	49	24	12~28	0.36	0.83
ODB1232-24LB	2100	25	48	24	12~28	0.25	0.66
ODB1232-48HB	2600	33	55	48	24~55	0.22	0.92
ODB1232-48MB	2300	28	49	48	24~55	0.18	0.83
ODB1232-48LB	2100	25	48	48	24~55	0.16	0.66

FRAME & IMPELLER

PBT, UL94V-0 Thermoplastic

POWER CONNECTION

Two lead wires 300mm (12")

LIFE EXPECTANCY (L10)

Ball Bearing 60,000 hrs
Sleeve Bearing 30,000 hrs

MOTOR

Brushless DC, polarity protected, locked rotor protected (current limited), auto restart

INSULATION RESISTANCE

Min. 10M at 500VDC

DIELECTRIC STRENGTH

1 minute at 500VAC / 1 second, max leakage 500 microamp

OPERATING

TEMPERATURE

Ball Bearing -20C ~ +80C
Sleeve Bearing -10C ~ +50C