

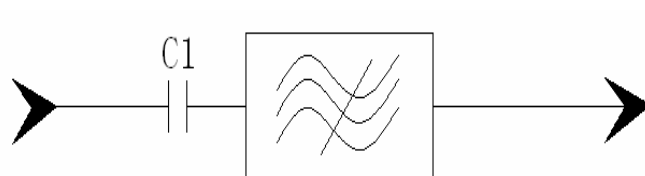
### Specifications

Parameter	Unit	Minimum	Typical	Maximum
Center Frequency	MHz	114.9	115	115.1
Insertion Loss	dB	-	33.5	35
3 dB Bandwidth	MHz	19.4	19.43	-
30 dB Bandwidth	MHz	-	20.25	20.4
40 dB Bandwidth	MHz	-	20.4	20.8
Passband Variation	dB	-	1.2	1.5
Ultimate Rejection	dB	50	53	-
Absolute Delay	usec	-	3.37	-
Material Temperature coefficient	KHz/°C	-10.81		
Ambient Temperature	°C	25		
Package Size	DIP3512 (35.0x12.8x4.7mm <sup>3</sup> )			

#### Notes:

1. All specifications are based on the test circuit shown
2. In production, devices will be tested at room temperature to a guardbanded specification to ensure electrical compliance over temperature
3. Electrical margin has been built into the design to account for the variations due to temperature drift and manufacturing tolerances
4. This is the optimum impedance in order to achieve the performance show

### Matching Configuration



**C1=36pF**

**Source/Load Impedance=50 ohm**

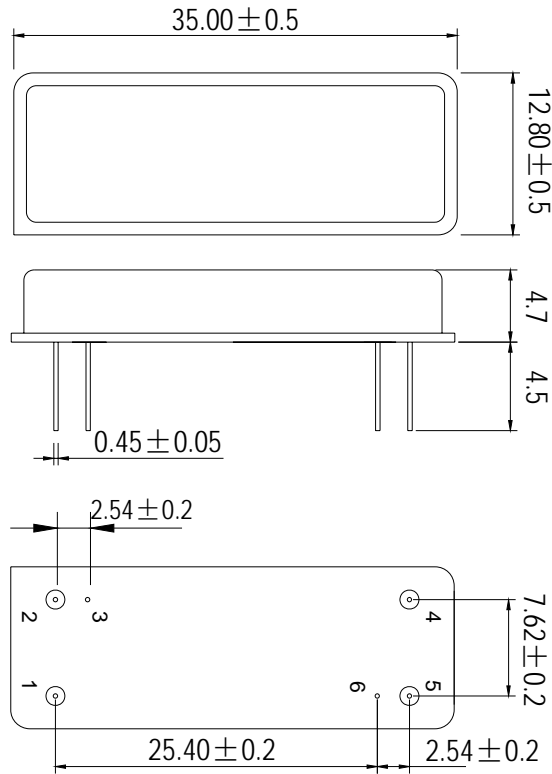
Notes - Component values may change depending on board layout.



**SIPAT Co., Ltd.**  
( CETC No. 26 Research Institute )  
Nanping Huayuan Road No. 14  
Chongqing, China, 400060

Part Number	LBN11517		
Rev. Date	2005-7-28		
Rev.	2.0	Page 1/3	

*Package Dimension*



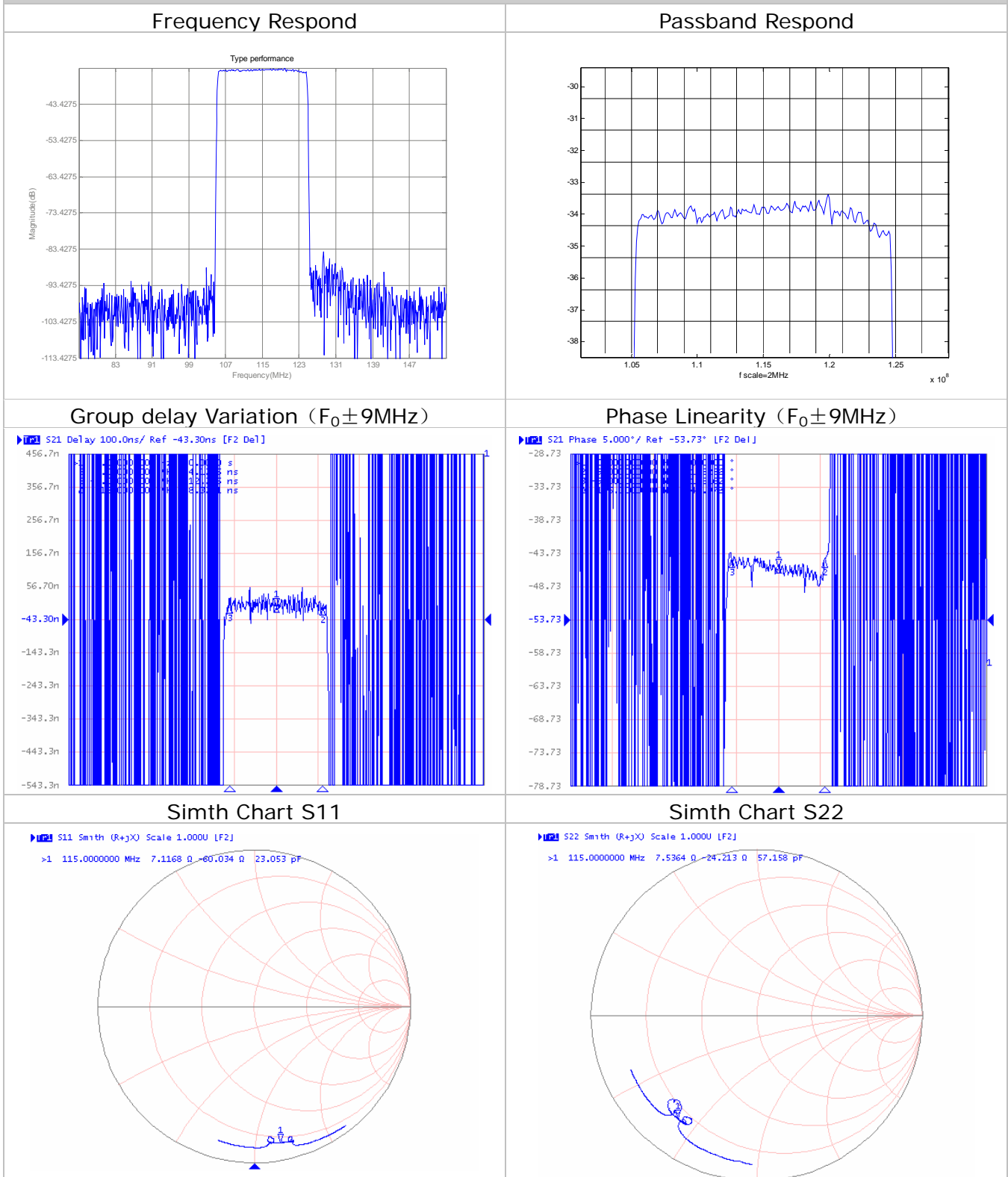
**Input:1**  
**Output:5**



**SIPAT Co., Ltd.**  
( CETC No. 26 Research Institute )  
Nanping Huayuan Road No. 14  
Chongqing, China, 400060

Part Number	LBN11517	
Rev. Date	2005-7-28	
Rev.	2.0	Page 2/3

*Typical Performance*



**SIPAT Co., Ltd.**  
( CETC No. 26 Research Institute )  
Nanping Huayuan Road No. 14  
Chongqing, China, 400060

Part Number	LBN11517	
Rev. Date	2005-7-28	
Rev.	2.0	Page 3/3