

## INTRODUCTION:

Adam Tech DisplayPort series is a new high band width digital interface connection designed to provide true digital imaging while providing a multitude of colors and crystal clear sound through one small plug which can also supply power. There are 4 main links, one auxiliary channel and one hot-plug signal line. Adam Tech DisplayPort connectors are designed to work on a broad array of devices, including computers, televisions, camcorders, cameras and DVD players. Our DisplayPort connectors are fully compatible with industry standards and are backwards compatible to VGA, DVI & HDMI.

## FEATURES:

Ultra small size package  
Hot Pluggable  
Supports color depth of 6, 8, 10, 12 and 16 bits per color components  
Supports a maximum of 8.64 Gbit/s data rate over a 2 meter cable  
Can be used in applications up to 15 meters (49.21 feet)

## MATING CONNECTORS:

Adam Tech Display Port custom cables and all industry standard Display Port Cables

## SPECIFICATIONS:

### Material:

Insulator: Nylon 66, Glass filled, rated UL94V-0, color Black  
Contacts: Copper Alloy  
Shell: Copper Alloy, nickel plated

### Contact Plating:

Gold Flash over nickel underplate on mating area, Tin over Copper underplate on tails

### Electrical:

Operating Voltage: 40V AC  
Current Rating: 0.5 Amps max.  
Contact Resistance: 30 m $\Omega$  max.  
Insulation Resistance: 100 M $\Omega$  min.  
Dielectric Withstanding Voltage: 500V AC for 1 minute

### Mechanical:

Mating Cycles: 10,000 Cycles Min

### Temperature Ratings:

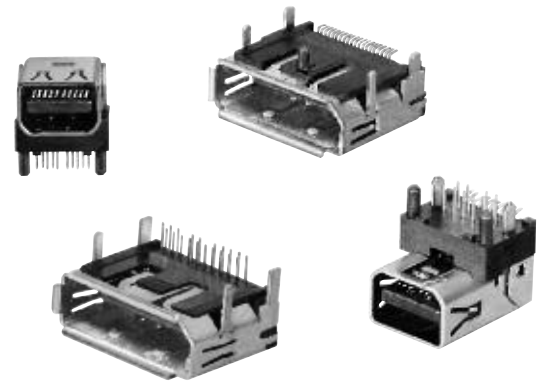
Operating Temperature: -20°C to +85°C

### PACKAGING:

Anti-ESD plastic trays or tubes

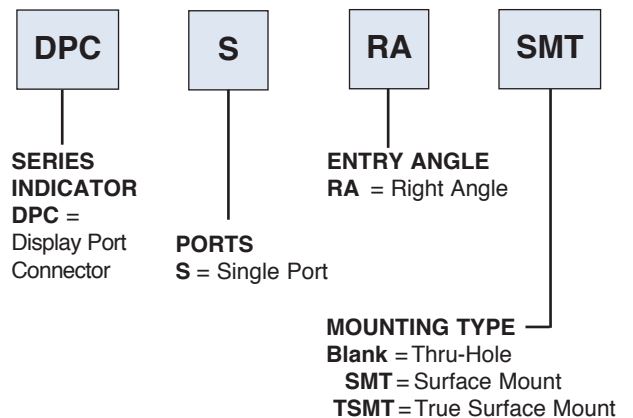
### APPROVALS AND CERTIFICATIONS:

UL Recognized & CSA Certified, File no. E224053

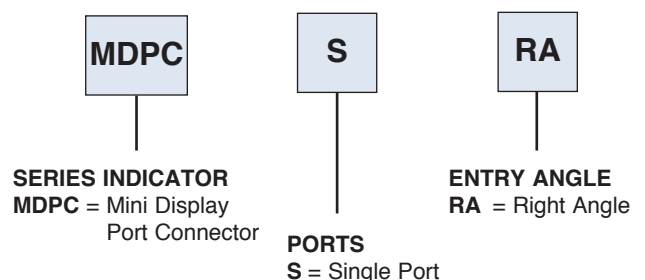


## ORDERING INFORMATION

### DISPLAY PORT CONNECTOR



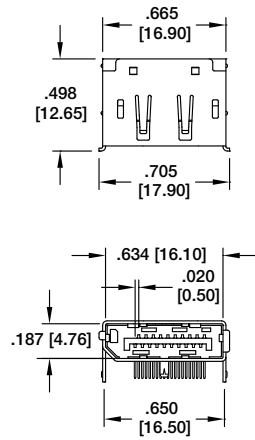
### MINI DISPLAY PORT CONNECTOR



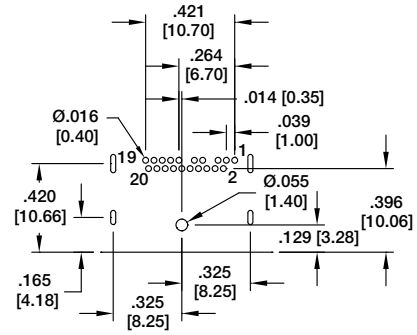
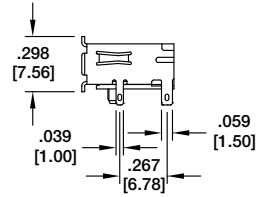
### OPTIONS:

Add designator(s) to end of part number  
MF = Mounting Flange (DPC series only)

## DISPLAY PORT, RIGHT ANGLE, THRU-HOLE

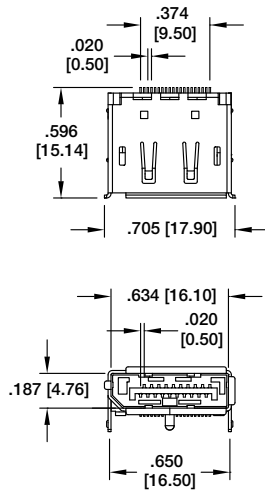


DPC-F-S-RA

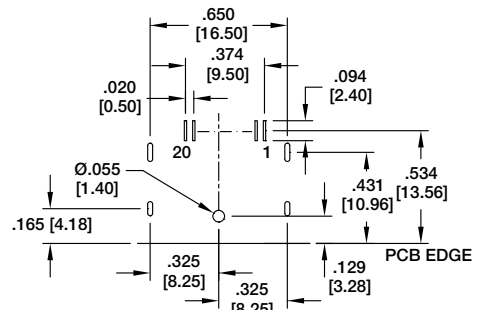
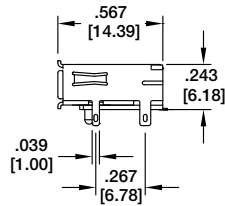


Recommended PCB Layout

## DISPLAY PORT, RIGHT ANGLE, SMT

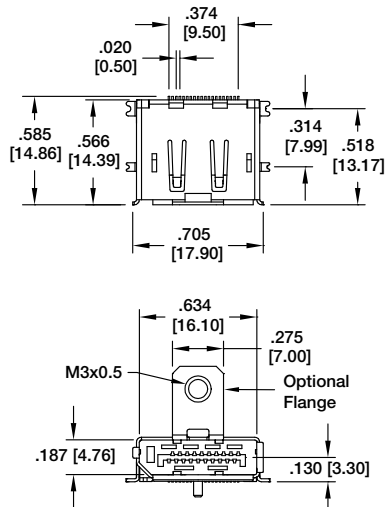


DPC-F-S-RA-SMT

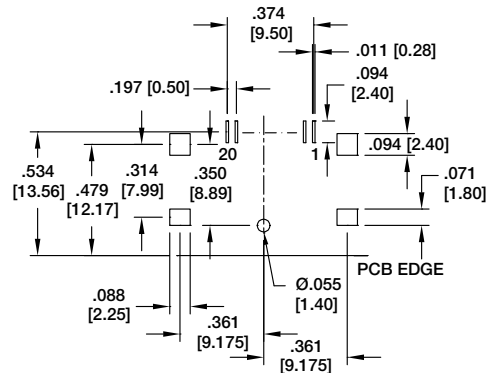
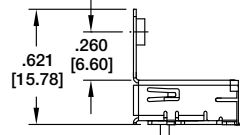


Recommended PCB Layout

## DISPLAY PORT, RIGHT ANGLE, TRUE SMT



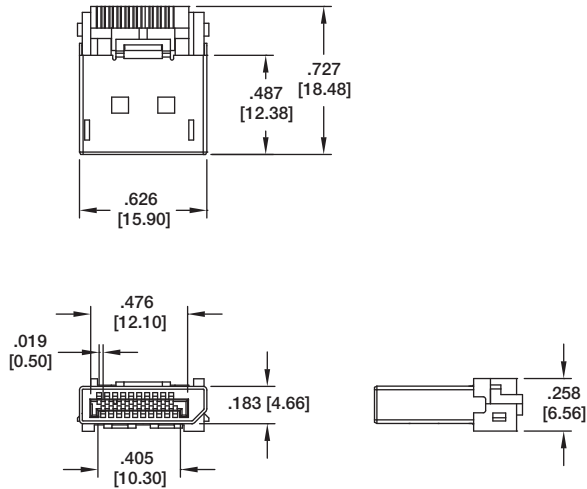
DPC-F-S-RA-TSMT



Recommended PCB Layout

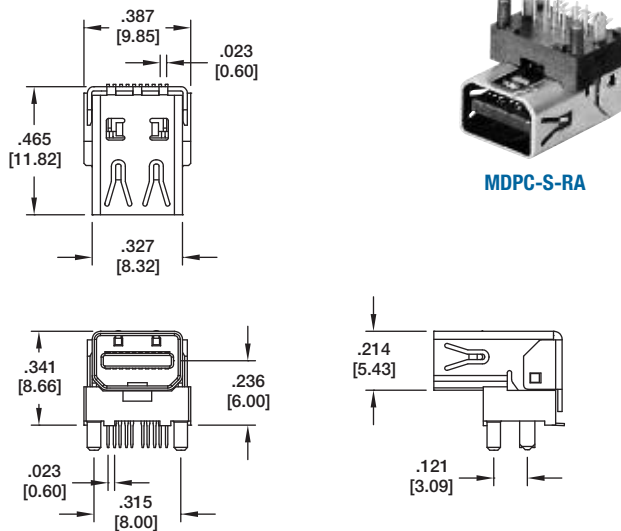
## DISPLAY PORT MALE PLUG

MOLDING TYPE

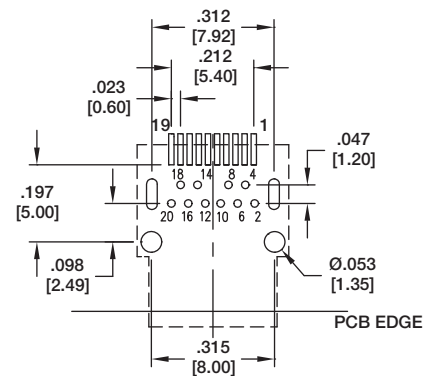


DPC-PLUG

## MINI DISPLAY PORT, RIGHT ANGLE

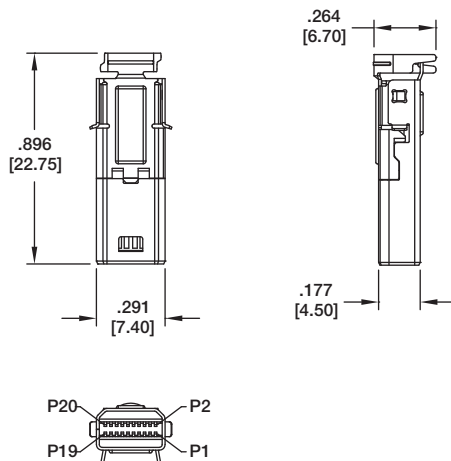


MDPC-S-RA



Recommended PCB Layout

## MINI DISPLAY PORT, PLUG



MDPC-PLUG

