

PLEASE CHECK WWW.MOLEX.COM FOR LATEST PART INFORMATION

Part Number: [0511110710](#)
Status: **Active**
Description: 2.50mm (.098") Pitch Wire-to-Wire and Wire-to-Board Receptacle Housing, without Retainer, 7 Circuits

Documents:

| | |
|--|--|
| 3D Model | Product Specification PS-51111-002 (PDF) |
| Drawing (PDF) | Product Specification PS-51111-003 (PDF) |
| Product Specification PS-51111-001 (PDF) | RoHS Certificate of Compliance (PDF) |

Agency Certification

| | |
|-----|---------|
| CSA | LR19980 |
| UL | E29179 |

General

| | |
|----------------|-----------------------|
| Product Family | Crimp Housings |
| Series | 51111 |
| Product Name | N/A |

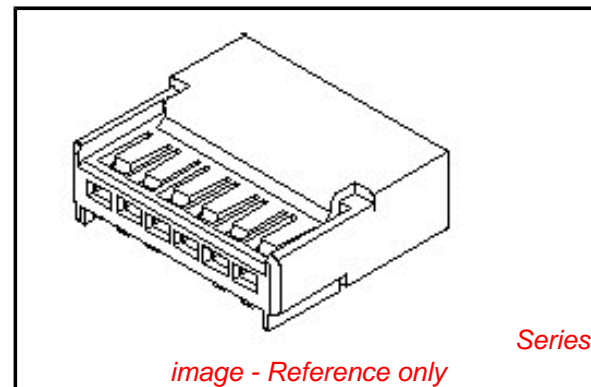
Physical

| | |
|-------------------------------|-----------------|
| Circuits (maximum) | 7 |
| Color - Resin | Natural |
| Flammability | 94V-0 |
| Gender | Female |
| Glow-Wire Compliant | No |
| Material - Resin | Polyester |
| Number of Rows | 1 |
| Packaging Type | Bag |
| Panel Mount | No |
| Pitch - Mating Interface (in) | 0.098 In |
| Pitch - Mating Interface (mm) | 2.50 mm |
| Stackable | No |
| Temperature Range - Operating | -40°C to +105°C |

Material Info

Reference - Drawing Numbers

| | |
|-----------------------|--|
| Product Specification | PS-51111-001, PS-51111-002, PS-51111-003, RPS-51111-001, RPS-51111-004, RPS-51111-005, RPS-51111-006 |
| Sales Drawing | SD-51111-**10 |



EU RoHS

**ELV and RoHS
Compliant**
**REACH SVHC
Contains SVHC: No**
**Halogen-Free
Status
Not Reviewed**

China RoHS



**Need more information on product
environmental compliance?**

Email productcompliance@molex.com
 For a multiple part number RoHS Certificate of Compliance, [click here](#)

Please visit the [Contact Us](#) section for any non-product compliance questions.

Search Parts in this Series

[51111Series](#)

Mates With

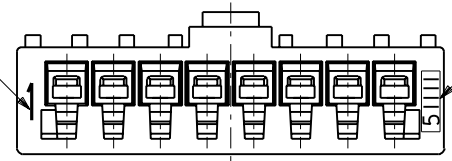
[51112](#) , [51112wr](#) , [53561](#) , [53730](#)

Use With

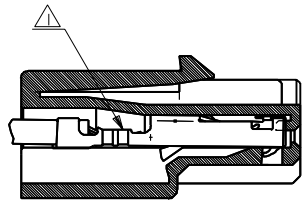
[50397](#)

DWG. NO. SD-51111-***10

回路番号
CIRCUIT NO. 1



ENG. NO.

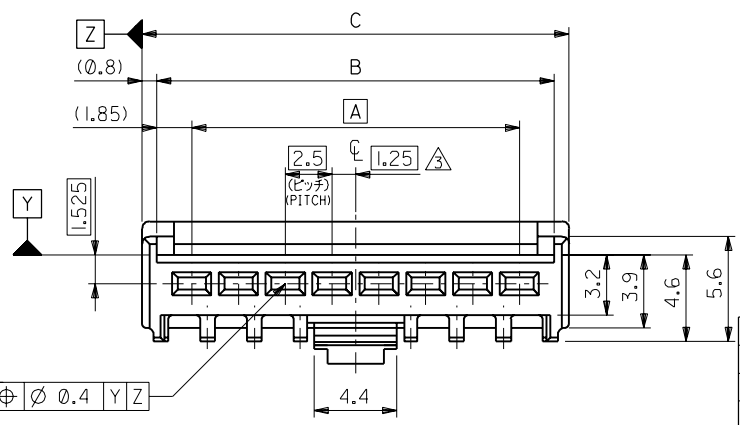
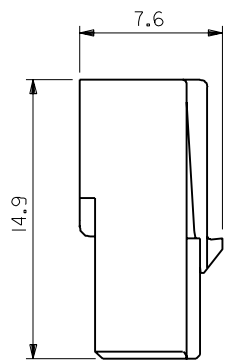
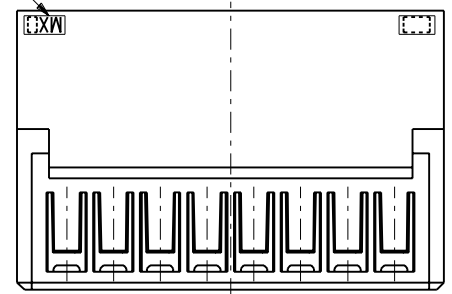


ターミナル装着状態図
TERMINAL ASSEMBLY DRAWING

注記 NOTES

- △ 適合ターミナル：50397シリーズ
APPLICABLE TERMINAL：50397 SERIES
- 2. 嵌合相手：51112,53730,53930シリーズ
MATE WITH：51112,53730,53930 SERIES
- △ 偶数極の製品に適用。
APPLY EVEN CIRCUIT PRODUCTS.

トレードマーク
TRADE MARK



| | | | | |
|------|------|------|------------|----------------------|
| 40.3 | 38.7 | 35 | 51111-1510 | 15 |
| 37.8 | 36.2 | 32.5 | ▲ -1410 | 14 |
| 35.3 | 33.7 | 30 | -1310 | 13 |
| 32.8 | 31.2 | 27.5 | -1210 | 12 |
| 30.3 | 28.7 | 25 | -1110 | 11 |
| 27.8 | 26.2 | 22.5 | -1010 | 10 |
| 25.3 | 23.7 | 20 | -0910 | 9 |
| 22.8 | 21.2 | 17.5 | -0810 | 8 |
| 20.3 | 18.7 | 15 | -0710 | 7 |
| 17.8 | 16.2 | 12.5 | -0610 | 6 |
| 15.3 | 13.7 | 10 | -0510 | 5 |
| 12.8 | 11.2 | 7.5 | -0410 | 4 |
| 10.3 | 8.7 | 5 | ▼ -0310 | 3 |
| 7.8 | 6.2 | 2.5 | 51111-0210 | 2 |
| C | B | A | ENG. NO. | 極数 NO. OF CKT. |

| | | | | | |
|-------------------------|-------|--------|------------------------|----------|---------|
| 角度 ANGLE | ±3° | | | | |
| 30以上 OVER | +0.3 | B | 変更 REVISD (JC80015) | K.T | 97/7/7 |
| 10以上 30未滿 UNDER | +0.25 | A | 変更 REVISD (J40498) | S.K | 94/6/22 |
| 10未滿 UNDER | +0.2 | 0 | 新規作成 RELEASED (J30895) | H.H | 93/9/6 |
| 一般公差 GENERAL TOLERANCES | | 記号 LTR | 変更内容 REVISION RECORD | DR. CHK. | 日付 DATE |

| | |
|-------------------|--------------------------|
| 材料 MATERIAL | PBTP, UL94V-0 (白色 WHITE) |
| 仕上げ FINISH | — |
| 適用電線範囲 WIRE RANGE | — |
| 被覆外径 INS. RANGE | — |
| DRAWN BY | '93/9/6 K.TOJO |
| CHK'D BY | '97/7/7 S.KUNISHI |
| APP'D BY | '97/7/7 M.FUKUSHIMA |
| 尺度 SCALE | 4 : 1 |

molex MOLEX-JAPAN CO.,LTD.
日本モレックス株式会社

REVISE ONLY ON CAD SYSTEM

TITLE 名称
2.5 WIRE TO WIRE CONN.
RECEPTACLE HOUSING

DWG. NO. SD-51111-***10

REV B