



VastLane™ HDMI Receiver

HDMI 1.3 Compatible Receiver with Deep Color Support

Silicon Image introduces the latest high-performance HDMI receiver in their VastLane product family. The SiI9133 supports HDMI 1.3 and provides advances in performance and functionality well beyond other digital interface products on the market. As a founding developer of the HDMI specification, Silicon Image continues to develop leading-edge products that deliver digital quality to mass-market home theater systems.

The latest advances in video performance require support of displays capable of 36-bit color depth and up to 1080p resolution at 60Hz or 720p/1080i resolution at 120Hz. Silicon Image's VastLane HDMI receivers meet these demands and are ideal for rapid integration into consumer electronics system architectures.

The SiI9133 is an advanced, dual-input HDMI receiver that fits directly into digital televisions, such as, rear projection microdisplays (DLP, LCOS, SXRD, D-ILA), LCD-TVs and plasma displays. The SiI9133 is backward compatible with the SiI9033, which can reduce manufacturers' design time and shorten their overall time-to-market.

In addition to all of the features in Silicon Image's original HDMI receivers, the SiI9133 has two HDMI input ports for connecting both a DVD player and a set-top box to an DTV. The SiI9133 supports both SACD and DVD Audio, including 7.1-surround audio at 192kHz and stereo audio at 192kHz. The SiI9133 also supports full HDCP repeater functionality.

The built-in High-bandwidth Digital Content Protection (HDCP) decryption engine secures the digital link for transmission of valuable high-definition video and audio. Each SiI9133 is pre-programmed with unique HDCP keys, providing an extremely high level of security while reducing manufacturing complexity and cost.

SiI9133

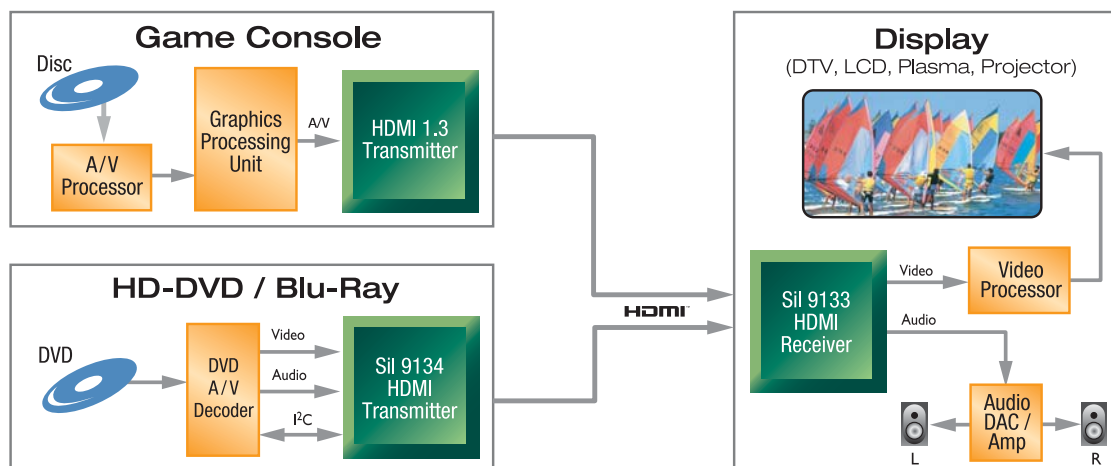
Applications

- Rear projection DTV
- LCD-TV
- Plasma display
- Front projector

Key Features

- Compatible with HDMI 1.3 specification
- Supports up to 36-bit color depth at 1080p/60Hz, 720p/120Hz & 1080i/120Hz resolutions
- Built-in HDCP decryption engine

SiI 9133 System Diagram



Sil9133 Features

Sil9133 Starter Kit (CP9133HDMI)

Contents include:

Hardware

- Sil9133 receiver daughter board
- HDMI to HDMI cable

Software

- HDMI Gear receiver software tool

Documentation

- User's guide
- Schematics
- Bill of materials (BOM)

Industry-Standard Compliance

- HDMI 1.3
- DVI 1.0
- EIA/CEA-861D
- HDCP 1.1

Digital Video Input / Output

- Dual integrated HDMI 1.3 cores
- Supports DTV resolutions up to 1080p @ 60Hz or 720p/1080i @ 120Hz with 36-bit color depth
- Flexible digital video interface:
 - 24/30/36-bit RGB/YCbCr 4:4:4
 - 16/20/24-bit YCbCr 4:2:2
 - 8/10/12-bit YCbCr 4:2:2 (ITU-R BT.656)
 - 12-bit digital media interface
- Integrated RGB to YCbCr color space conversion with 12-bit accuracy
- 4:2:2 ↔ 4:4:4 converter with 12-bit accuracy

System Operation

- Register-programmable via slave I²C interface
- Auto video mode simplifies design
- Auto audio mode allows more robust system
- Flexible interrupt registers with interrupt pin

Digital Audio Output

- Industry-standard S/PDIF and I²C output
- Supports high-end audio including SACD and DVD-Audio:
 - 2-channel 32-192kHz or
 - 8-channel 32-192kHz
- Programmable I²S output supports numerous low-cost audio DACs
- Supports IEC60958 2-channel PCM
- Capable of receiving IEC61937 compressed audio (Dolby[®] Digital, DTS, etc.)

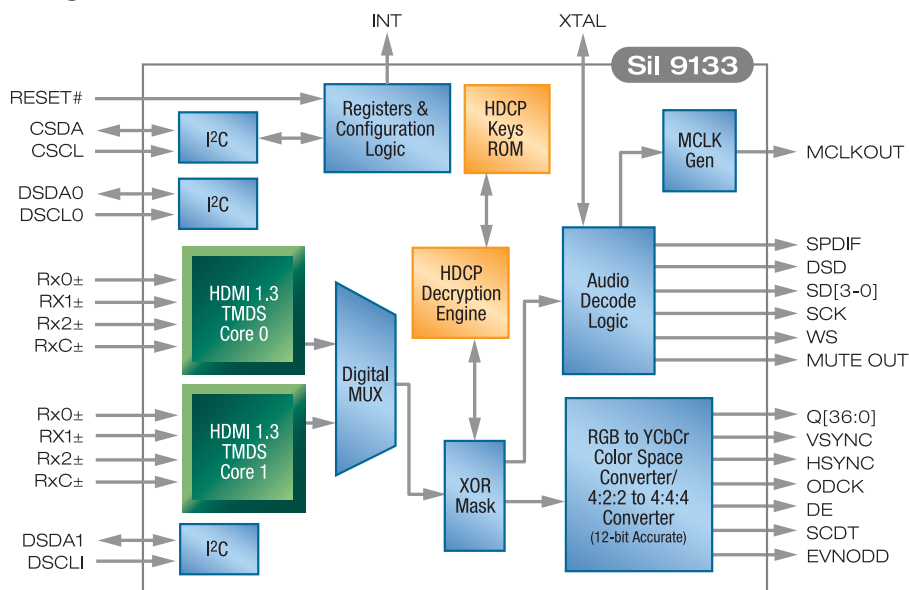
Content Protection

- Integrated HDCP cipher engine
- Built-in HDCP BIST
- Pre-programmed HDCP keys:
 - Simplify manufacturing process
 - Provide extremely secure solution
 - Lower system, manufacturing costs
- Built-in HDCP self-test
- Supports HDCP repeater capability

Power Management

- 1.8V core provides low-power operation
- Flexible power-down modes

Sil 9133 Circuit Diagram



Silicon Image, Inc.

1060 E. Arques Avenue
Sunnyvale, CA 94085

T 408.616.4000
F 408.830.9530

www.siliconimage.com

Simply Stored. Connected. Beautiful.

© 2006 Silicon Image, Inc. All rights reserved. Silicon Image, the Silicon Image logo, SiI and SiI9133, VastLane and the VastLane logo, and TMDS are trademarks or registered trademarks of Silicon Image, Inc. in the United States and other countries. HDMI, the HDMI logo and High-Definition Multimedia Interface are trademarks or registered trademarks of, and are used under license from, HDMI Licensing, LLC. PLAYSTATION is a registered trademark of Sony Computer Entertainment, Inc. Other trademarks are property of their respective holders. Product specifications are subject to change without notice.