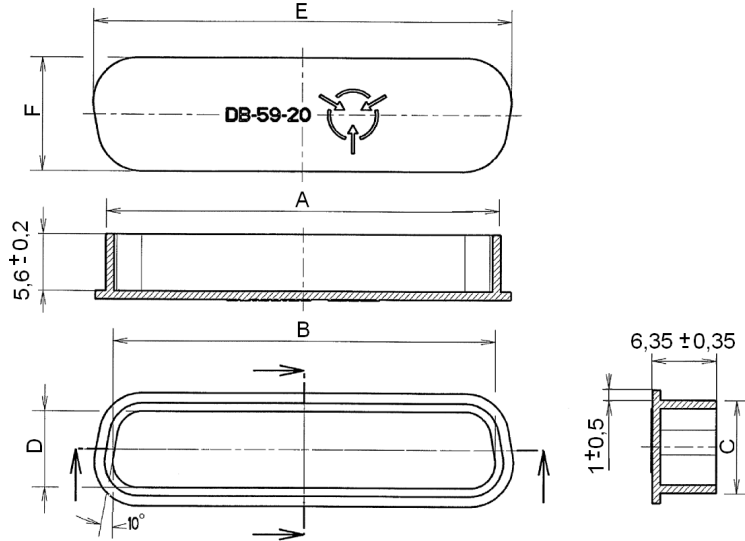


Product Features

Antistatic Dust Caps (black color) supplied with D*M or D*MA connectors, for ESA/ESCC quality level.
 Can be ordered separately for FR022/FR023 quality level (packaging unit : 50 pieces in a plastic bag).

Physical Dimensions :



Shell Size	Type	A $\pm 0,25$ (.010)	B $\pm 0,25$ (.010)	C $\pm 0,25$ (.010)	D $\pm 0,25$ (.010)	E max	F max
E	Skt	17,63 (.694)	15,93 (.627)	9,19 (.362)	7,49 (.295)	19,71 (.776)	11,25 (.443)
E	Pin	19,02 (.749)	17,32 (.682)	10,46 (.412)	8,76 (.345)	21,14 (.832)	12,65 (.498)
A	Skt	25,96 (1.022)	24,26 (.955)	9,19 (.362)	7,49 (.295)	28,04 (1.104)	11,25 (.443)
A	Pin	27,36 (1.077)	25,65 (1.010)	10,46 (.412)	8,76 (.345)	29,47 (1.160)	12,65 (.498)
B	Skt	39,67 (1.562)	37,97 (1.495)	9,19 (.362)	7,49 (.295)	41,75 (1.644)	11,25 (.443)
B	Pin	41,53 (1.635)	39,83 (1.568)	10,92 (.430)	9,22 (.363)	43,36 (1.707)	12,85 (.506)
C	Skt	56,13 (2.210)	54,43 (2.143)	9,19 (.362)	7,49 (.295)	58,21 (2.292)	11,25 (.443)
C	Pin	57,99 (2.283)	56,29 (2.216)	10,92 (.430)	9,22 (.363)	59,80 (2.354)	12,85 (.506)
D	Skt	53,75 (2.116)	52,04 (2.049)	12,04 (.474)	10,34 (.407)	55,83 (2.198)	14,10 (.555)
D	Pin	55,35 (2.179)	53,64 (2.112)	13,61 (.536)	11,91 (.469)	57,21 (2.252)	15,70 (.618)
F	Skt	57,30 (2.256)	55,60 (2.189)	13,70 (.539)	12,00 (.472)	59,45 (2.340)	16,00 (.630)
F	Pin	59,20 (2.331)	57,50 (2.264)	15,70 (.618)	14,00 (.551)	61,30 (2.413)	17,90 (.705)

Cross References :

Size	Type	ESA/ESCC Quality Level		FR022/FR023 Quality Level	
		Description	Part Number	Description	Part Number
E	Skt	340102207B	C025-8900-001C	DE-59-20	C025-8900-001A
E	Pin	340102208B	C025-8900-000C	DE-60-20	C025-8900-000A
A	Skt	340102209B	C025-8901-001C	DA-59-20	C025-8901-001A
A	Pin	340102210B	C025-8901-000C	DA-60-20	C025-8901-000A
B	Skt	340102211B	C025-8902-001C	DB-59-20	C025-8902-001A
B	Pin	340102212B	C025-8902-000C	DB-60-20	C025-8902-000A
C	Skt	340102213B	C025-8903-001C	DC-59-20	C025-8903-001A
C	Pin	340102214B	C025-8903-000C	DC-60-20	C025-8903-000A
D	Skt	340102215B	C025-8904-001C	DD-59-20	C025-8904-001A
D	Pin	340102216B	C025-8904-000C	DD-60-20	C025-8904-000A
F	Skt	TBD	C025-8905-001C	DF-59-20	C025-8905-001A
F	Pin	TBD	C025-8905-000C	DF-60-20	C025-8905-000A