

SC Duplex Single Mode Transceiver

Technical Data

Features

- **SC Duplex Single Mode Transceiver**
- **Intermediate SONET OC3 SDH STM1 (S1.1) Compliant**
- **Single +5 V Power Supply**
- **Multisourced 1 x 9 Pin Configuration**
- **Aqueous Washable Plastic Package**
- **Interchangeable with LED multisourced 1 x 9 Transceivers**
- **Unconditionally eyesafe laser IEC 825/CDRH Class 1 Compliant**
- **Two Temperature Ranges:**
 - 0°C to +70°C -
HFCT-5205B/D
 - 40°C to +85°C -
HFCT-5205A/C

Applications

- **SONET/SDH Equipment Interconnect**
- **ATM 155 Mb/s Links**

Description

The HFCT-5205 transceiver is a high performance, cost effective module for serial optical data communications applications specified for a signal rate of 155 MBd. It is designed to provide a SONET/SDH compliant link for 155 Mb/s intermediate reach links.

This module is designed for single mode fiber and operates at a nominal wavelength of 1300 nm. It incorporates Agilent's high performance, reliable, long wavelength optical devices and proven circuit technology to give long life and consistent service.

The transmitter section uses a Multiple Quantum Well laser with full IEC 825 and CDRH Class I eye safety.

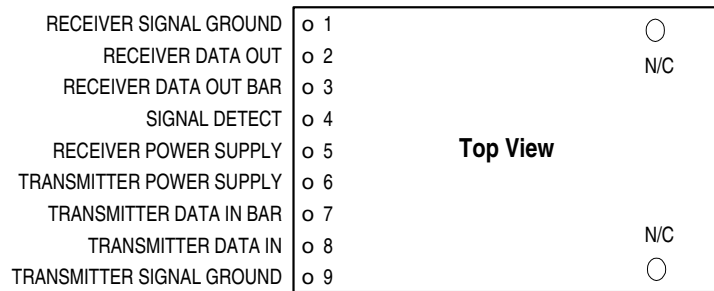
HFCT-5205



The receiver section uses a planar PIN photodetector for low dark current and excellent responsivity.

A pseudo-ECL logic interface simplifies interface to external circuitry.

Connection Diagram



Pin Descriptions:

Pin 1 Receiver Signal Ground V_{EE} :

Directly connect this pin to the receiver ground plane.

Pin 2 Receiver Data Out RD+:
See recommended circuit schematic, Figure 4.

Pin 3 Receiver Data Out Bar RD-:

See recommended circuit schematic, Figure 4.

Pin 4 Signal Detect SD:

Normal optical input levels to the receiver result in a logic “1” output.

Low optical input levels to the receiver result in a fault condition indicated by a logic “0” output.

This Signal Detect output can be used to drive a PECL input on an upstream circuit, such as Signal Detect input or Loss of Signal-bar.

Pin 5 Receiver Power Supply V_{CC} :

Provide +5 V dc via the recommended transmitter power supply filter circuit. Locate the power supply filter circuit as close as possible to the V_{CC} pin.

Pin 6 Transmitter Power Supply V_{CC} :

Provide +5 V dc via the recommended transmitter power supply filter circuit. Locate the power supply filter circuit as close as possible to the V_{CC} pin.

Pin 7 Transmitter Data In Bar TD-:

See recommended circuit schematic, Figure 4.

Pin 8 Transmitter Data In TD+:

See recommended circuit schematic, Figure 4.

Pin 9 Transmitter Signal Ground V_{EE} :

Directly connect this pin to the transmitter ground plane.

Mounting Studs

The mounting studs are provided for mechanical attachment to the circuit board. They are embedded in the nonconductive plastic housing and are not tied to the transceiver internal circuit and should be soldered into plated-through holes on the printed circuit board.

Functional Description Receiver Section

Design

The receiver section contains an InGaAs/InP photo detector and a preamplifier within the receptacle, coupled to a postamp/decision circuit on a separate circuit board.

The postamplifier is ac coupled to the preamplifier as illustrated in Figure 1. The coupling capacitor is large enough to pass the SONET/SDH test pattern at 155 MBd without significant distortion or performance penalty. If a lower signal rate, or a code which has significantly more low frequency content is used, sensitivity, jitter and pulse distortion could be degraded.

Figure 1 also shows a filter network which limits the bandwidth of the preamp output signal. The filter is designed to bandlimit the preamp output noise and thus improve the receiver sensitivity.

These components will also reduce the sensitivity of the receiver as the signal bit rate is increased above 155 MBd.

Noise Immunity

The receiver includes internal circuit components to filter power supply noise. Under some conditions of EMI and power supply noise, external power supply filtering may be necessary. If receiver sensitivity is found to be degraded by power supply noise, the filter network illustrated in Figure 2 may be used to improve performance. The values of the filter components are general recommendations and may be changed to suit a particular system environment. Shielded inductors are recommended.

Terminating the Outputs

The PECL Data outputs of the receiver may be terminated with the standard Thevenin-equivalent 50 ohm to $V_{CC} - 2\text{ V}$ termination. Other standard PECL terminating techniques may be used.

The two outputs of the receiver should be terminated with identical load circuits to avoid unnecessarily large ac current in V_{CC} . If the outputs are loaded identically the ac current is largely nulled. The Signal Detect output of the receiver is PECL logic and must be loaded if it is to be used. The Signal Detect circuit is much slower than the data path, so the ac noise generated by an asymmetrical load is negligible. Power consumption may be reduced by using a higher than normal load impedance for the Signal Detect output. Transmission line effects are not generally a problem as the switching rate is slow.

The Signal Detect Circuit

The Signal Detect circuit works by sensing the peak level of the received signal and comparing this level to a reference.

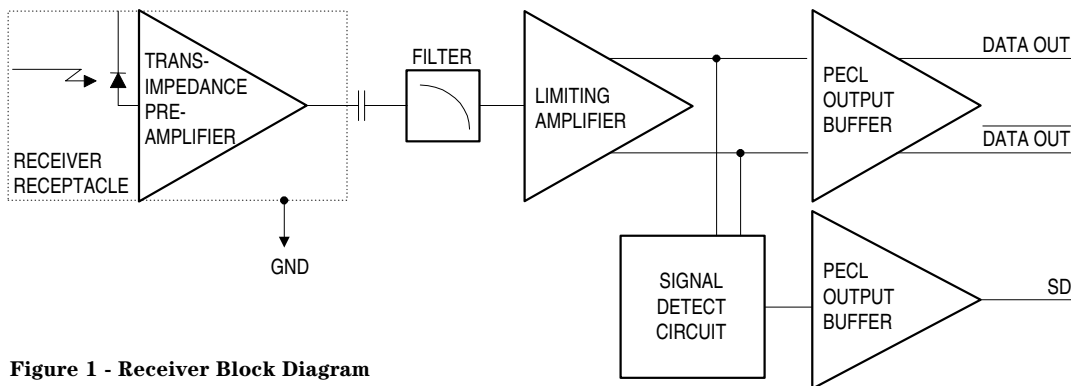


Figure 1 - Receiver Block Diagram

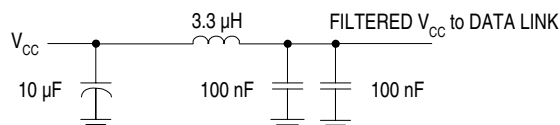


Figure 2 - p Filter Network for Noise Filtering

Functional Description Transmitter Section

Design

The transmitter section, Figure 3, uses a Multiple Quantum Well laser as its optical source. The package of this laser is designed to allow repeatable coupling into single mode fiber. In addition, this package has been designed to be compliant with IEC 825 Class 1 and CDRH Class I eye safety requirements. The optical output is controlled by a custom IC which detects the laser output via the monitor photodiode. This IC provides both dc and ac current drive to the laser to ensure correct modulation, eye diagram and extinction ratio over temperature, supply voltage and life.

PCB mounting

The HFCT-5205 has two solderable mounting studs, Figures 5 and 6. These studs are not electrically connected. The transceiver is designed for common production processes. It may be wave soldered and aqueous washed providing the process plug is in place.

Each process plug can only be used once during processing, although with subsequent use, it can be used as a dust cover.

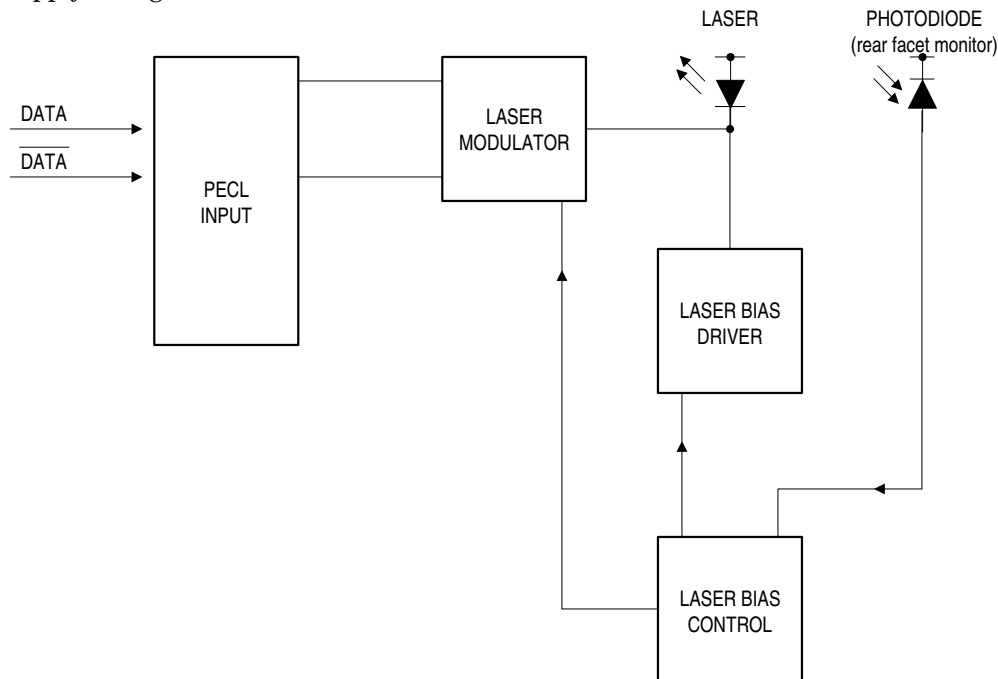


Figure 3 - Simplified Transmitter Schematic

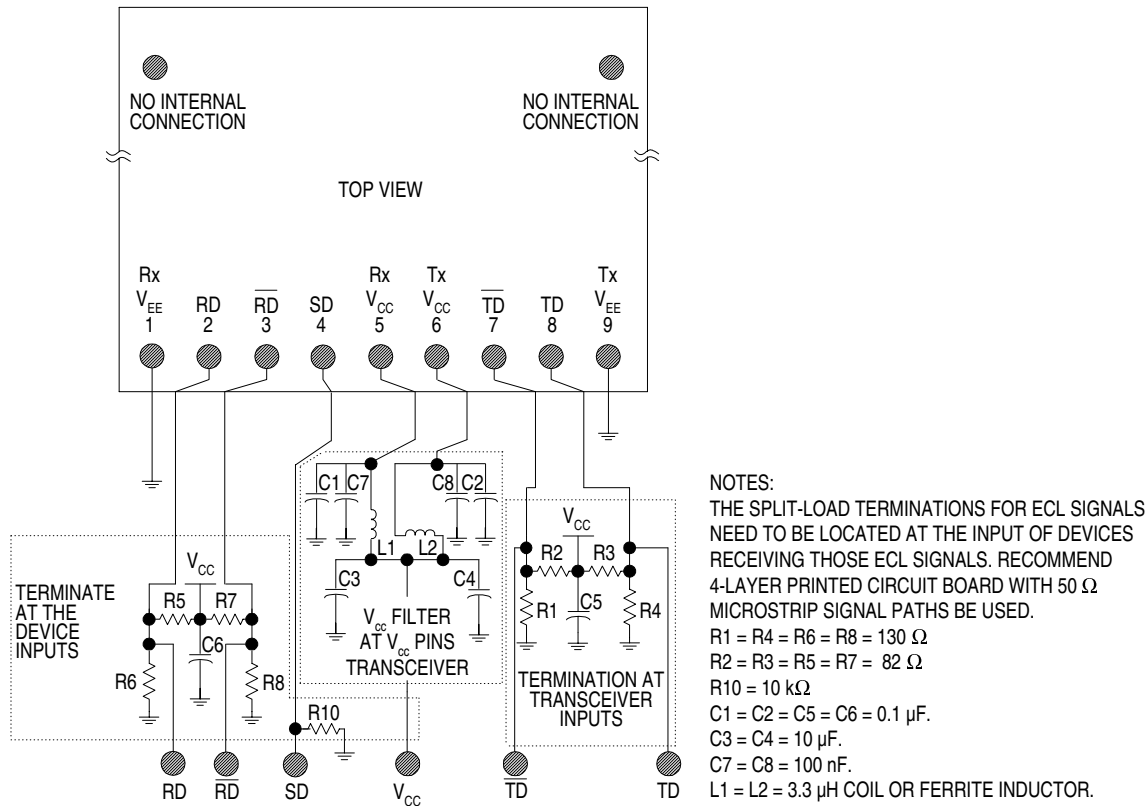


Figure 4 - Recommended Circuit Schematic

Regulatory Compliance

Feature	Test Method	Performance
Electrostatic Discharge (ESD) to the Electrical Pins	MIL-STD-883C Method 3015.4	Class 1 (>1 kV) - Human Body Model
Electrostatic Discharge (ESD) to the Duplex SC Receptacle	Variation of IEC 801-2	Products of this type, typically, withstand at least 25 kV without damage when the Duplex SC Connector Receptacle is contacted by a Human Body Model probe.
Electromagnetic Interference (EMI)	FCC Class B CENELEC EN55022 Class B (CISPR 22A) VCCI Class 1	Typically provide a 17 dB margin to the noted standard limits up to 6 GHz, when tested in a GTEM cell with the transceiver mounted to a circuit card with a chassis enclosure.
Immunity	Variation of IEC 801-3	Typically show no measurable effect from a 10 V/m field swept from 10 to 450 MHz applied to the transceiver without a chassis enclosure.
Eye Safety	FDA CDRH 21-CFR 1040 Class I	CDRH Accession Number: 9521220-26
	IEC 825 Issue 1 1993:11 Class 1	TUV Bauart License: 933/510916/02
	CENELEC EN60825 Class 1	

Performance Specifications

Absolute Maximum Ratings

Stresses in excess of the absolute maximum ratings can cause catastrophic damage to the device. Limits apply to each parameter in isolation, all other parameters having values within the recommended operating conditions. It should not be assumed that limiting values of more than one parameter can be applied to the product at the same time. Exposure to the absolute maximum ratings for extended periods can adversely affect device reliability.

Parameter	Symbol	Minimum	Maximum	Units
Storage Temperature	T_S	-40	+85	°C
Operating Temperature - HFCT-5205B/D	-	0	+70	°C
Operating Temperature - HFCT-5205A/C	-	-40	+85	°C
Lead Soldering Temperature/Time	-	-	+240/10	°C/s
Output Current (other outputs)	I_{OUT}	0	30	mA
Input Voltage	-	GND	V_{CC}	V
Power Supply Voltage	-	0	+6	V

Operating Environment

Parameter	Symbol	Minimum	Maximum	Units
Power Supply Voltage	V_{CC}	+4.75	+5.25	V
Ambient Operating Temperature - HFCT-5205B/D	T_{OP}	0	+70	°C
Ambient Operating Temperature - HFCT-5205A/C	T_{OP}	-40	+85	°C

Transmitter Section

(Ambient Operating Temperature $V_{CC} = 4.75V$ to $5.25V$)

Parameter	Symbol	Minimum	Maximum	Units	Notes
Output Center Wavelength	λ_C	1261	1360	nm	-
Output Spectral Width (RMS)	$\Delta\lambda$	-	7.7	nm	-
Average Optical Output Power	P_O	-15	-8	dBm	1
Extinction Ratio	E_R	8.2	-	dB	-
Power Supply Current	I_{CC}	-	140	mA	2
Output Eye	Compliant with Bellcore TR-NWT-000253 and ITU recommendation G.957				
Optical Rise Time	t_R	-	2	ns	3
Optical Fall Time	t_F	-	2	ns	3
Data Input Current - Low	I_{IL}	-350	-	μA	-
Data Input Current - High	I_{IH}	-	350	μA	-
Differential Input Voltage	$V_{IH} - V_{IL}$	300	-	mV	-
Data Input Voltage - Low	$V_{OL} - V_{CC}$	-2.0	-1.58	V	4
Data Input Voltage - High	$V_{OH} - V_{CC}$	-1.1	-0.74	V	4

Notes:

- Output power is power coupled into a single mode fiber.
- The power supply current varies with temperature. Maximum current is specified at $V_{CC} = \text{Maximum}$ @ maximum temperature (not including terminations) and end of life.
- 10% - 90% Values
- These inputs are compatible with 10K, 10KH and 100K ECL and PECL inputs.

Receiver Section

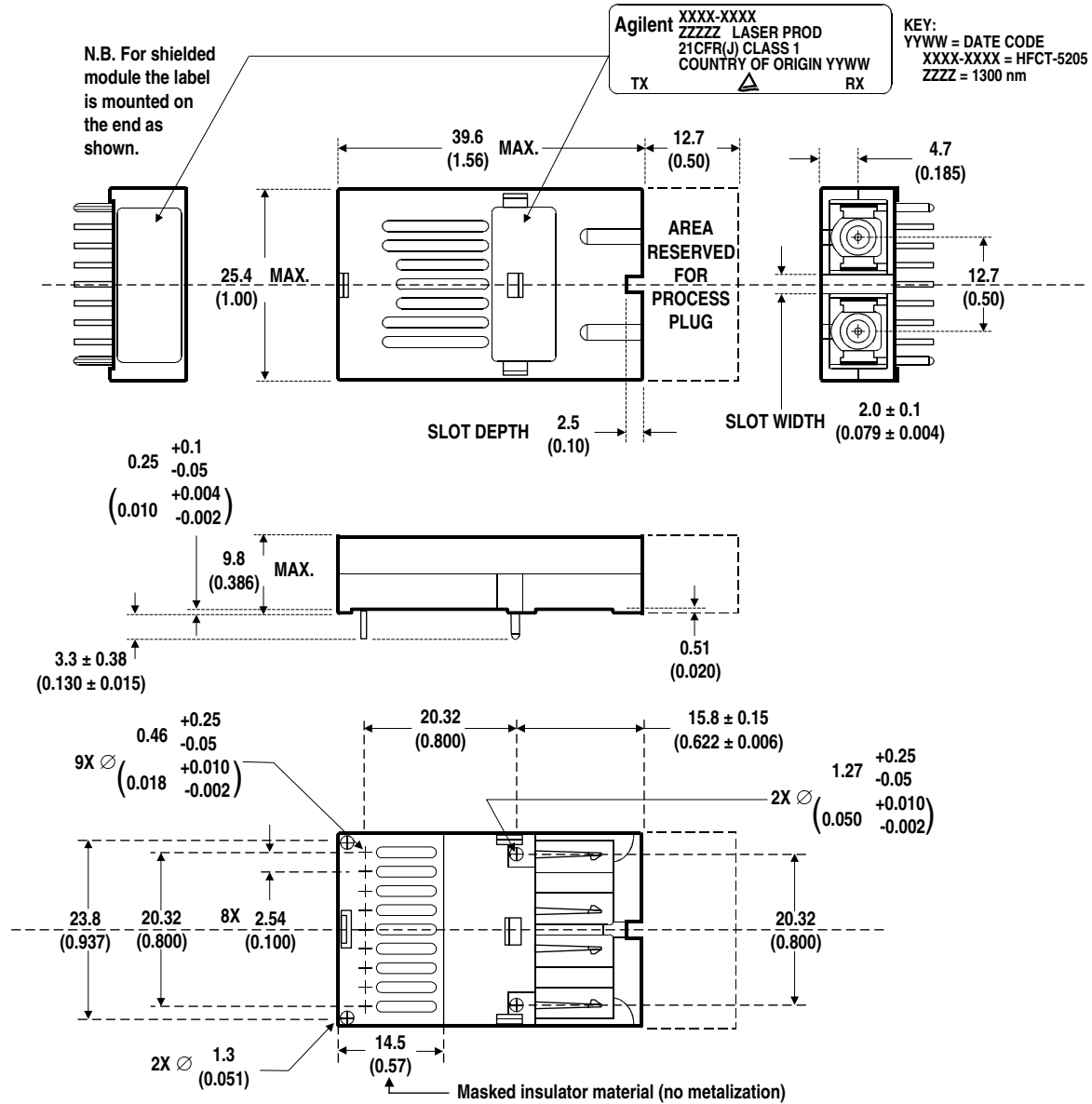
(Ambient Operating Temperature $V_{CC} = 4.75V$ to $5.25V$)

Parameter	Symbol	Minimum	Typical	Maximum	Units	Notes
Receiver Sensitivity	-	-	-	-31	dBm	5
Maximum Input Power	-	-8	-	-	dBm	-
Signal Detect - Asserted	P_A	$P_D + 0.5$	-	-31	dBm avg.	-
Signal Detect - Deasserted	P_D	-43	-	-	dBm avg.	-
Signal Detect - Hysteresis HFCT-5205B/D HFCT-5205A/C	$P_A - P_D$	0.5	-	4.0	dB	-
	$P_A - P_D$	0.5	-	5.0	dB	-
Power Supply Current	I_{CC}	-	80	100	mA	6
Data Output Voltage - Low	$V_{OL} - V_{CC}$	-2.0	-	-1.58	V	7
Data Output Voltage - High	$V_{OH} - V_{CC}$	-1.1	-	-0.74	V	7
Signal Detect Output Voltage - Low	$V_{OL} - V_{CC}$	-2.0	-	-1.58	V	7
Signal Detect Output Voltage - High	$V_{OH} - V_{CC}$	-1.1	-	-0.74	V	7

Notes:

5. Minimum sensitivity and saturation levels for a $2^{23}-1$ PRBS with 72 ones and 72 zeros inserted. (ITU-T recommendation G.958).
6. The current excludes the output load current.
7. These outputs are compatible with 10K, 10KH and 100K ECL and PECL outputs.

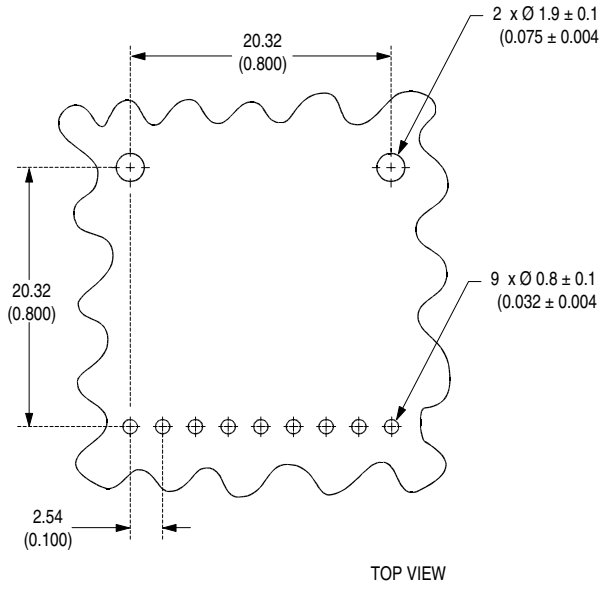
Drawing Dimensions



DIMENSIONS ARE IN MILLIMETERS (INCHES).

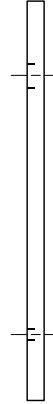
TOLERANCES: X.XX ± 0.025 mm
 X.X ± 0.05 mm UNLESS OTHERWISE SPECIFIED.

Figure 5. Package Outline Drawing for HFCT-5205



DIMENSIONS ARE IN MILLIMETERS (INCHES)

Figure 6. Recommended Board Layout Pattern



Ordering Information

Temperature Range 0°C to +70°C

HFCT-5205B Black Case

HFCT-5205D Blue Case

Temperature Range -40°C to +85°C

HFCT-5205A Black Case

HFCT-5205C Blue Case

Supporting Documentation

Application Note 1098

Characterization Report

Qualification Report

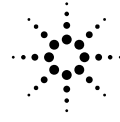
Class 1 Laser Product: This product conforms to the applicable requirements of 21 CFR 1040 at the date of manufacture

Date of Manufacture: _____

Agilent Technologies Ltd., Whitehouse Road, Ipswich, England

Handling Precautions

1. The HFCT-5205 can be damaged by current surges or overvoltage. Power supply transient precautions should be taken.
2. Normal handling precautions for electrostatic sensitive devices should be taken.



Agilent Technologies

Innovating the HP Way

www.semiconductor.agilent.com

Data subject to change.

Copyright © 2000 Agilent Technologies, Inc.

Obsoletes: 5968-9874E (02/00)

5968-9874E (03/00)