

PLEASE CHECK WWW.MOLEX.COM FOR LATEST PART INFORMATION

Part Number: [0982980005](#)
Status: **Active**
Overview: [mox crimp terminals](#)
Description: 2.54mm (.100") Pitch MOX Receptacle Housing, 6 Circuits, Breakable, Dual Row, Gray

Documents:

[Application Specification \(PDF\)](#) [Drawing \(PDF\)](#)
[Packaging Specification \(PDF\)](#) [RoHS Certificate of Compliance \(PDF\)](#)

General

Product Family	Crimp Housings
Series	98298
Comments	2x3 Circuits
Overview	mox crimp terminals
Product Name	MOX

Physical

Circuits (maximum)	6
Color - Resin	Gray
Gender	Female
Glow-Wire Compliant	No
Keying to Mating Part	None
Lock to Mating Part	Yes
Material - Resin	Polyester
Number of Rows	2
Packaging Type	Bag
Panel Mount	No
Pitch - Mating Interface (in)	0.100 In
Pitch - Mating Interface (mm)	2.54 mm
Pitch - Term. Interface (in)	0.100 In
Pitch - Term. Interface (mm)	2.54 mm
Polarized to Mating Part	Yes
Stackable	No
Temperature Range - Operating	-40°C to +105°C

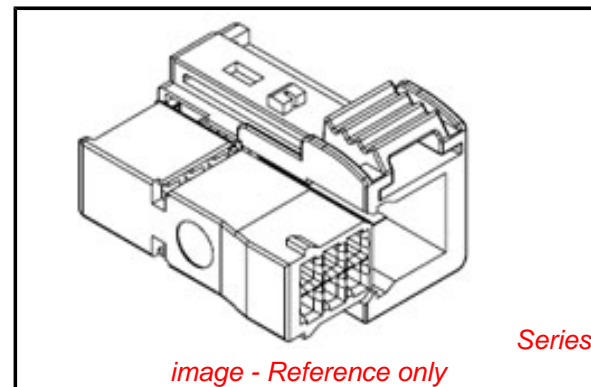
Electrical

Current - Maximum per Contact	6A
-------------------------------	----

Material Info

Reference - Drawing Numbers

Application Specification	AS-98298-001
Sales Drawing	SD-98298-002, SD-98298-003



EU RoHS

ELV and RoHS Compliant
REACH SVHC
 Not Reviewed
Halogen-Free Status
 Not Reviewed

China RoHS



Need more information on product environmental compliance?

Email productcompliance@molex.com
 For a multiple part number RoHS Certificate of Compliance, [click here](#)

Please visit the [Contact Us](#) section for any non-product compliance questions.

Search Parts in this Series

[98298Series](#)

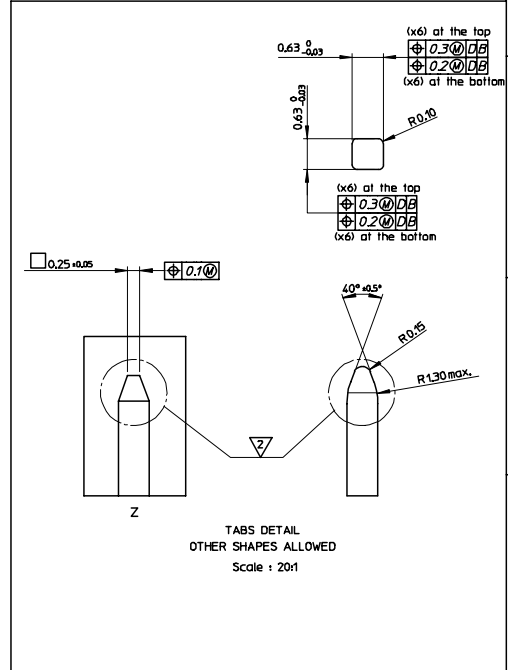
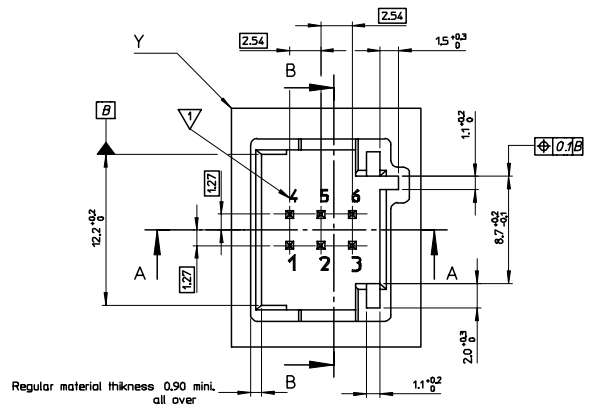
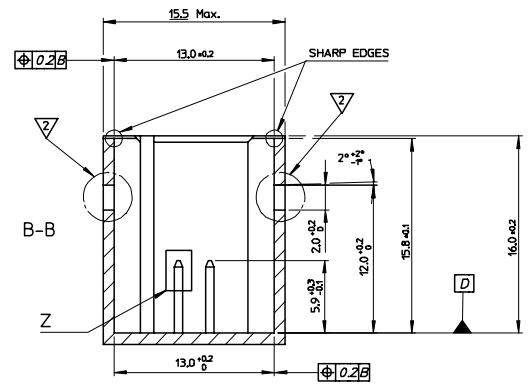
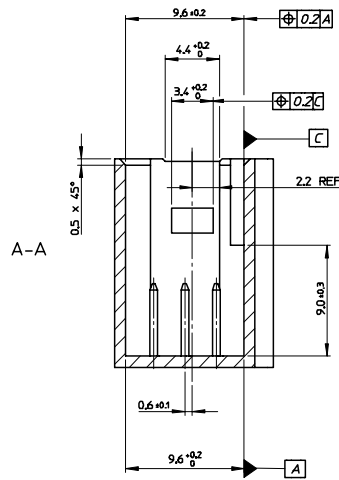
Mates With

Contact Molex

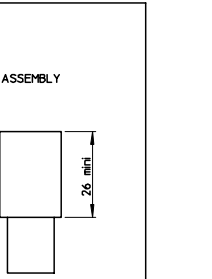
Use With

[98658](#) MOX Crimp Terminal

PLEASE CHECK WWW.MOLEX.COM FOR LATEST PART INFORMATION



CODING BOARD			
ORIGINALS		COMPLEMENTARY CODING	
BROWN		GREY	
GREEN		BLUE	
WHITE		MALE HOUSING NOT AVAILABLE FOR COMPLEMENTARY CODING MECHANICAL SETTINGS CAN BE DIFFERENT FROM ORIGINAL CODING TO COMPLEMENTARY ONES.	
BLACK			



- NOTES:
- 1 CAVITY PRENT MUST NOT GET OUTSIDE THE BOTTOM OF THE PREINT
 - 2 NO BURR ADMITED IN THAT AREA
 - 3 RADIUS WITHOUT DIMENSIONS R=0.5 MAX

Recommended Plastic Material: >PBT-GF20<
 Recommended Metal Material: CuSn6 or CuFe2
 Plating: 0.84µm to 3.34µm minus of pure tin (Sn)
 1.34µm mini Nickel (Ni) underlayer.

FIRST RELEASE
 EC NO. 02003-0019
 DRAWING NUMBER 2005/04/12
 CHECKED BY JLDUCLOS 2005/04/17
 APPROVED BY STICKEIR 2005/04/28

QUALITY SYMBOLS	GENERAL TOLERANCES (UNLESS SPECIFIED)
▽=0	mm
▽=0	INCH
▽=0	4 PLACES ± --- ± ---
▽=0	3 PLACES ± --- ± ---
▽=0	2 PLACES ± 0.10 ± ---
▽=0	1 PLACE ± 0.2 ± ---
▽=0	ANGULAR ± 1/2°

DIMENSION STYLE	SCALE	DESIGN UNITS	FIRST ANGLE PROJECTION
MM ONLY	5:1	METRIC	☉

DRAWN BY	DATE	TITLE
GDESBRUERES	2005/04/13	INTERFACE DRAWING
CHECKED BY	DATE	MOX RCPT HSG DR 3CKT
JLDUCLOS	2005/04/15	98298 SERIES#
APPROVED BY	DATE	MATERIAL NO.
STICKEIR	2005/04/19	DOCUMENT NO.
		SD-98298-003

DRAFT WHERE APPLICABLE MUST REMAIN WITHIN DIMENSIONS

THIS DRAWING CONTAINS INFORMATION THAT IS PROPRIETARY TO MOLEX INCORPORATED AND SHOULD NOT BE USED WITHOUT WRITTEN PERMISSION