

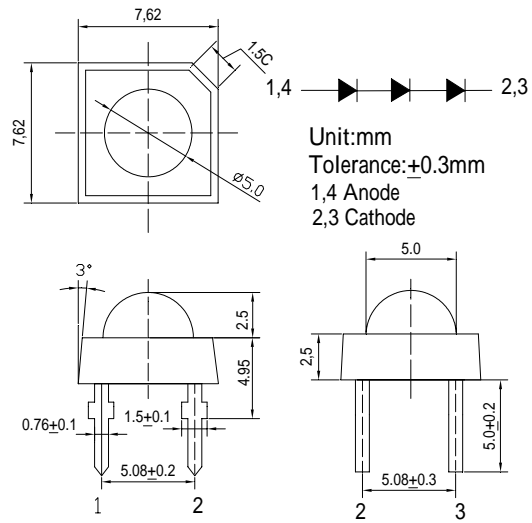
**■Features**

- High Luminous Super Flux Output
- Superior Weather-resistance
- UV Resistant Epoxy
- Long Lifetime Operation
- Water Clear Type
- Superior Color Rendering Index

**■Applications**

- Substitution of Micro Incandescent Lamps
- Small Area Illuminations
- Back Lighting
- Other Lighting

**■Outline Dimension**



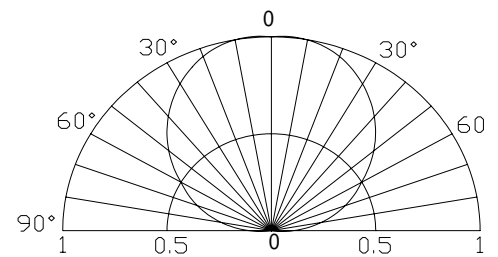
**■Absolute Maximum Rating**

(Ta=25 )

Item	Symbol	Value	Unit
DC Forward Current	I <sub>F</sub>	30	mA
Pulse Forward Current*	I <sub>FP</sub>	100	mA
Reverse Voltage	V <sub>R</sub>	15	V
Power Dissipation	P <sub>D</sub>	324	mW
Operating Temperature	Topr	-30 ~ +85	
Storage Temperature	Tstg	-40 ~ +100	
Lead Soldering Temperature	Tsol	260 / 5sec	-

\*Pulse width Max.10ms , Duty ratio max 1/10

**■Directivity**



**Electrical -Optical Characteristics**

(Ta=25 )

Item	Symbol	Condition	Min.	Typ.	Max.	Unit
DC Forward Voltage	V <sub>F</sub>	I <sub>F</sub> =20mA	7.6	8.5	9.6	V
DC Reverse Current	I <sub>R</sub>	V <sub>R</sub> =15V	-	-	10	μA
Luminous Flux*	v	I <sub>F</sub> =20mA	-	16	-	lm
Color Rendering Index	<b>Ra</b>	<b>I<sub>F</sub>=20mA</b>	<b>90</b>	-	-	
Color Temperature	CCT	I <sub>F</sub> =20mA	-	6500	-	K
Chromaticity Coordinates*	x	I <sub>F</sub> =20mA	-	0.32	-	
	y	I <sub>F</sub> =20mA	-	0.31	-	
50% Power Angle	2θ <sub>1/2</sub>	I <sub>F</sub> =20mA	-	120	-	deg

\*1 Tolerance of chromaticity coordinates is ±10%

\*2 Tolerance of luminous intensity is ±15%