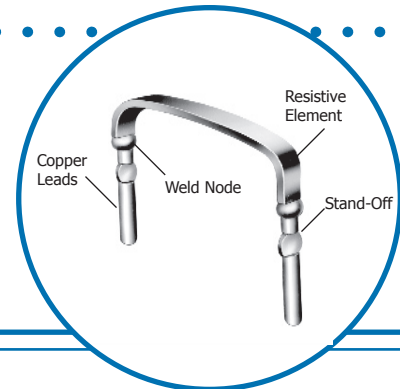


# OAR SERIES

## OPEN AIR SENSE RESISTORS

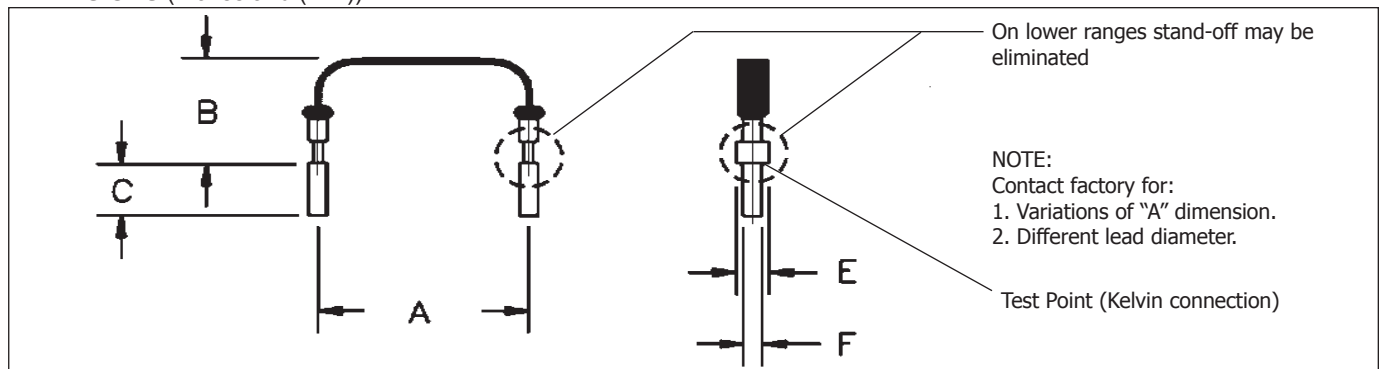
- 1, 3 & 5 watts
- $\pm 1\%$  or  $\pm 5\%$  tolerance (2% below 5 mOhm)
- Resistance wire TCR  $\pm 20$  ppm/ $^{\circ}\text{C}$
- Contact factory for height specifications, application notes and resistance values below 0.0025 ohms.
- Low inductance versions available for high frequency
- Lead Free ROHS compliant construction available applications.



### SPECIFICATIONS:

IRC Type	IRC Power Rating (watts)	Available Resistance (ohms)
OAR-1	1W @ 85 $^{\circ}\text{C}$	0.003 ohms to 0.10 ohms
OAR-3	3W @ 85 $^{\circ}\text{C}$	0.0025 ohms to 0.10 ohms
OAR-5	5W @ 85 $^{\circ}\text{C}$	0.003 ohms to 0.05 ohms

### DIMENSIONS (Inches and (mm)):



IRC Type	A	B	C	E	F
OAR-1	0.450 +0.040/-0.020 (11.43 +1.020/-0.508)	0.200 $\pm$ 0.100 (5.08mm $\pm$ 2.54)	0.125 $\pm$ 0.030 (3.18mm $\pm$ 0.762)	0.065 +0.010/-0.005 (1.65mm +0.254/-0.127)	0.040 $\pm$ 0.002 (1.02mm $\pm$ 0.051)
OAR-3	0.600 +0.040/-0.020 (15.24 +1.020/0.508)	0.600 Typ (15.3mm max.)	0.125 $\pm$ 0.030 (3.18mm $\pm$ 0.762)	0.065 +0.010/-0.005 (1.65mm +0.254/-0.127)	0.040 $\pm$ 0.002 (1.02mm $\pm$ 0.051)
OAR-5	0.800 +0.040/-0.020 (20.32 +1.020/-0.508)	0.350 Typ (8.9mm max.)	0.125 $\pm$ 0.030 (3.18mm $\pm$ 0.762)	0.065 +0.010/-0.005 (1.65 mm+0.254/-0.127)	0.040 $\pm$ 0.002 (1.02mm $\pm$ 0.051)

### FEATURES:

- Welded Construction
- Flameproof
- Inductance less than 10 nanohenries

### APPLICATIONS:

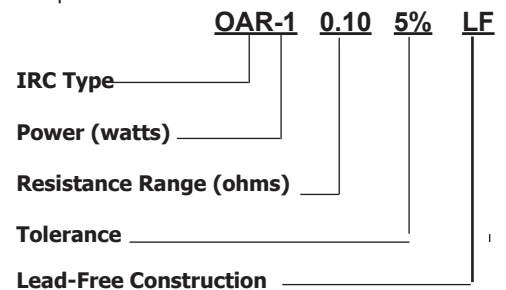
- Current Sensing
- Feedback
- Low inductance
- Surge and pulse

### OPERATING CHARACTERISTICS:

- Load Life @25 $^{\circ}\text{C}$  (1000 hrs): 1% max.
- Moisture No Load (1000 hrs): 1% max.
- Temperature Cycle @ -40 $^{\circ}\text{C}$  & +125 $^{\circ}\text{C}$  (1000 cyc): 1% max.

### HOW TO ORDER:

Sample Part No.:



### General Note

IRC reserves the right to make changes in product specification without notice or liability. All information is subject to IRC's own data and is considered accurate at time of going to print.

### WIREWOUND AND FILM TECHNOLOGIES DIVISION

736 Greenway Road • Boone, North Carolina 28607-1860 • Tel: 828-264-8861 • Fax: 828-264-8866 • www.irctt.com