

FEATURES

Low Cost

Complete Signal Conditioning Function

Low Drift: $0.5\mu V/^{\circ}C$ max ("L"); Low Noise: $1\mu V$ p-p max

Wide Gain Range: 1 to 2000V/V

Low Nonlinearity: 0.0025% max ("L")

High CMR: 140dB min (60Hz, $G = 1000V/V$)

Input Protected to 130V rms

Adjustable Low Pass Filter: 60dB/Decade Roll-Off (from 2Hz)

Programmable Transducer Excitation: Voltage (4V to 15V @ 100mA) or Current (100 μA to 10mA)

APPLICATIONS

Measurement and Control of:

Pressure, Temperature, Strain/Stress, Force, Torque

Instrumentation: Indicators, Recorders, Controllers

Data Acquisition Systems

Microcomputer Analog I/O

GENERAL DESCRIPTION

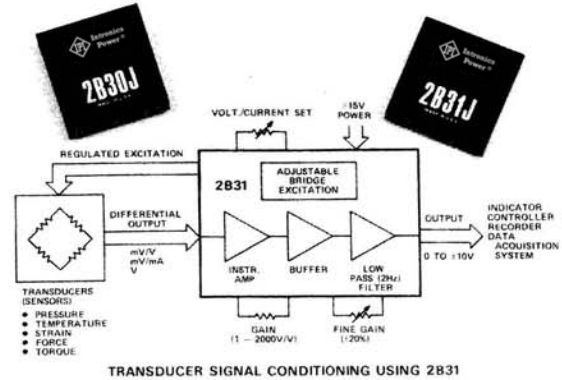
Models 2B30 and 2B31 are high performance, low cost, compact signal conditioning modules designed specifically for high accuracy interface to strain gage-type transducers and RTD's (resistance temperature detectors). The 2B31 consists of three basic sections: a high quality instrumentation amplifier; a three-pole low pass filter, and an adjustable transducer excitation. The 2B30 has the same amplifier and filter as the 2B31, but no excitation capability.

Available with low offset drift of $0.5\mu V/^{\circ}C$ max (RTI, $G = 1000V/V$) and excellent linearity of 0.0025% max, both models feature guaranteed low noise performance ($1\mu V$ p-p max) and outstanding 140dB common mode rejection (60Hz, $CMV = \pm 10V$, $G = 1000V/V$) enabling the 2B30/2B31 to maintain total amplifier errors below 0.1% over a $20^{\circ}C$ temperature range. The low pass filter offers 60dB/decade roll-off from 2Hz to reduce normal-mode noise bandwidth and improve system signal-to-noise ratio. The 2B31's regulated transducer excitation stage features a low output drift ($0.015/^{\circ}C$ max) and a capability of either constant voltage or constant current operation.

Gain, filter cutoff frequency, output offset level and bridge excitation (2B31) are all adjustable, making the 2B30/2B31 the industry's most versatile high-accuracy transducer-interface modules. Both models are offered in three accuracy selections, J/K/L, differing only in maximum nonlinearity and offset drift specifications.

APPLICATIONS

The 2B30/2B31 may be easily and directly interfaced to a wide variety of transducers for precise measurement and control of pressure, temperature, stress, force and torque. For ap-



TRANSDUCER SIGNAL CONDITIONING USING 2B31

lications in harsh industrial environments, such characteristics as high CMR, input protection, low noise, and excellent temperature stability make 2B30/2B31 ideally suited for use in indicators, recorders, and controllers.

The combination of low cost, small size and high performance of the 2B30/2B31 offers also exceptional quality and value to the data acquisition system designer, allowing him to assign a conditioner to each transducer channel. The advantages of this approach over low level multiplexers include significant improvements in system noise and resolution, and elimination of crosstalk and aliasing errors.

DESIGN FEATURES AND USER BENEFITS

High Noise Rejection: The true differential input circuitry with high CMR (140dB) eliminating common-mode noise pickup errors, input filtering minimizing RFI/EMI effects, output low pass filtering ($f_c=2Hz$) rejecting 50/60Hz line frequency pickup and series-mode noise.

Input and Output Protection: Input protected for shorts to power lines (130V rms), output protected for shorts to ground and either supply.

Ease of Use: Direct transducer interface with minimum external parts required, convenient offset and span adjustment capability.

Programmable Transducer Excitation: User-programmable adjustable excitation source-constant voltage (4V to 15V @ 100mA) or constant current (100 μA to 10mA) to optimize transducer performance.

Adjustable Low Pass Filter: The three-pole active filter ($f_c=2Hz$) reducing noise bandwidth and aliasing errors with provisions for external adjustment of cutoff frequency.

SPECIFICATIONS (typical @ +25°C and $V_S = \pm 15V$ unless otherwise noted)

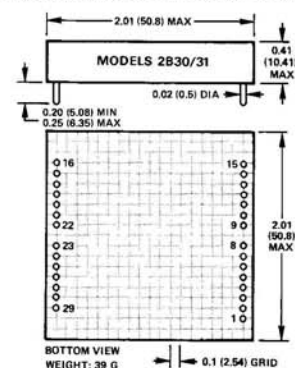
MODEL	2B30J 2B31J	2B30K 2B31K	2B30L 2B31L
GAIN¹			
Gain Range	1 to 2000V/V	*	*
Gain Equation	$G = (1 + 94k\Omega/R_G) [20k\Omega/(R_F + 16.2k\Omega)]$	*	*
Gain Equation Accuracy	±2%	*	*
Fine Gain (Span) Adjust. Range	±20%	*	*
Gain Temperature Coefficient	±25ppm/°C max (±10ppm/°C typ)	*	*
Gain Nonlinearity	±0.01% max	±0.005% max	±0.0025% max
OFFSET VOLTAGES¹			
Total Offset Voltage, Referred to Input			
Initial, @ +25°C	Adjustable to Zero (±0.5mV typ)	*	*
Warm-Up Drift, 10 Min., G = 1000 vs. Temperature	Within ±5μV (RTI) of Final Value	*	*
G = 1V/V	±150μV/°C max	±75μV/°C max	±50μV/°C max
G = 1000V/V	±3μV/°C max	±1μV/°C max	±0.5μV/°C max
At Other Gains	±(3 ± 150/G)μV/°C max	±(1 ± 75/G)μV/°C max	±(0.5 ± 50/G)μV/°C max
vs. Supply, G = 1000V/V ³	±25μV/V	*	*
vs. Time, G = 1000V/V	±5μV/month	*	*
Output Offset Adjust. Range	±10V	*	*
INPUT BIAS CURRENT			
Initial @ +25°C	+200nA max (100nA typ)	*	*
vs. Temperature (0 to +70°C)	-0.6nA/°C	*	*
INPUT DIFFERENCE CURRENT			
Initial @ +25°C	±5nA	*	*
vs. Temperature (0 to +70°C)	±40pA/°C	*	*
INPUT IMPEDANCE			
Differential	100MΩ 47pF	*	*
Common Mode	100MΩ 47pF	*	*
INPUT VOLTAGE RANGE			
Linear Differential Input	±10V	*	*
Maximum Differential or CMV Input Without Damage	130V rms	*	*
Common Mode Voltage	±10V	*	*
CMR, 1kΩ Source Imbalance		*	*
G = 1V/V, dc to 60Hz ¹	90dB	*	*
G = 100V/V to 2000V/V, 60Hz ¹ dc ²	140dB min	*	*
	90dB min (112 typ.)	*	*
INPUT NOISE			
Voltage, G = 1000V/V		*	*
0.01Hz to 2Hz	1μV p-p max	*	*
10Hz to 100Hz ²	1μV p-p	*	*
Current, G = 1000		*	*
0.01Hz to 2Hz	70pA p-p	*	*
10Hz to 100Hz ²	30pA rms	*	*
RATED OUTPUT¹			
Voltage, 2kΩ Load ³	±10V min	*	*
Current	±5mA min	*	*
Impedance, dc to 2Hz, G = 100V/V	0.1Ω	*	*
Load Capacitance	0.01μF max	*	*
DYNAMIC RESPONSE (Unfiltered)²			
Small Signal Bandwidth			
-3dB Gain Accuracy, G = 100V/V	30kHz	*	*
G = 1000V/V	5kHz	*	*
Slew Rate	1V/μs	*	*
Full Power	15kHz	*	*
Settling Time, G = 100, ±10V Output Step to ±0.1%	30μs	*	*
LOW PASS FILTER (Bessel)			
Number of Poles	3	*	*
Gain (Pass Band)	+1	*	*
Cutoff Frequency (-3dB Point)	2Hz	*	*
Roll-Off	60dB/decade	*	*
Offset (at 25°C)	±5mV	*	*
Settling Time, G = 100V/V, ±10V Output Step to ±0.1%	600ms	*	*
BRIDGE EXCITATION (See Table 1)			
POWER SUPPLY⁴			
Voltage, Rated Performance	±15V dc	*	*
Voltage, Operating	±(12 to 18)V dc	*	*
Current, Quiescent ⁵	±15mA	*	*
TEMPERATURE RANGE			
Rated Performance	0 to +70°C	*	*
Operating	-25°C to +85°C	*	*
Storage	-55°C to +125°C	*	*
CASE SIZE	2" x 2" x 0.4" (51 x 51 x 10.2mm)	*	*

NOTES

- *Specifications same as 2B30J/2B31J.
 - ¹Specifications referred to output at pin 7 with a 3.75k, 1%, 25ppm/°C thin span resistor installed and internally set 2Hz filter cutoff frequency.
 - ²Specifications referred to the unfiltered output at pin 1.
 - ³Protected for shorts to ground and/or either supply voltage.
 - ⁴Recommended power supply ADI model 902-2 or model 2B35.
 - ⁵Tracking power supplies.
 - ⁶Does not include bridge excitation and load currents.
- Specifications subject to change without notice.

OUTLINE DIMENSIONS

Dimensions shown in inches and (mm).

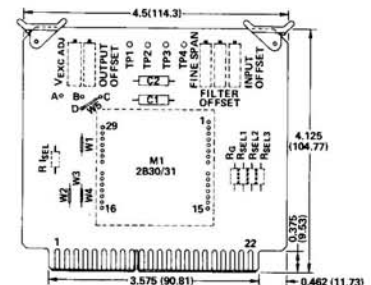


PIN DESIGNATIONS

PIN	FUNCTION	PIN	FUNCTION
1	OUTPUT 1 (UNFILTERED)	16	EXC SEL 1
2	FINE GAIN (SPAN) ADJ.	17	I SEL
3	FINE GAIN (SPAN) ADJ.	18	VEXC OUT
4	FILTER OFFSET TRIM	19	IEXC OUT
5	FILTER OFFSET TRIM	20	SENSE HIGH (+)
6	BANDWIDTH ADJ. 3	21	EXC SEL 2
7	OUTPUT 2 (FILTERED)	22	REF OUT
8	BANDWIDTH ADJ. 2	23	SENSE LOW (-)
9	BANDWIDTH ADJ. 1	24	REGULATOR +V _R IN
10	R _{GA} IN	25	REF IN
11	R _{GA} IN	26	-V _S
12	-INPUT	27	+V _S
13	INPUT OFFSET TRIM	28	COMMON
14	INPUT OFFSET TRIM	29	OUTPUT OFFSET TRIM
15	+INPUT		

Note: Pins 16 thru 25 are not connected in Model 2B30.

AC1211/AC1213 MOUNTING CARDS



AC1211/AC1213 CONNECTOR DESIGNATIONS

PIN	FUNCTION	PIN	FUNCTION
A	REGULATOR +V _R IN	1	EXC SEL 1
B	SENSE LOW (-)	2	I SEL
C	REF OUT	3	VEXC OUT
D	REF IN	4	IEXC OUT
E		5	SENSE HIGH (+)
F		6	EXC SEL 2
G		7	OUTPUT OFFSET TRIM
H		8	
J		9	-V _S
K	-V _S	10	+V _S
L	+V _S	11	
M		12	COMMON
N	COMMON	13	COMMON
P		14	
R	FINE GAIN ADJ.	15	
S	FINE GAIN ADJ.	16	
T	FILTER OFFSET TRIM	17	R _{GA} IN
U	FILTER OFFSET TRIM	18	R _{GA} IN
V	OUTPUT 2 (FILTERED)	19	OUTPUT 1 (UNFILTERED)
W	-INPUT	20	BANDWIDTH ADJ. 1
X	INPUT OFFSET TRIM	21	BANDWIDTH ADJ. 3
Y	INPUT OFFSET TRIM	22	BANDWIDTH ADJ. 2
Z	+INPUT		

The AC1211/AC1213 mounting card is available for the 2B30/2B31. The AC1211/AC1213 is an edge connector card with pin receptacles for plugging in the 2B30/2B31. In addition, it has provisions for installing the gain resistors and the bridge excitation, offset adjustment and filter cutoff programming components. The AC1211/AC1213 is provided with a Cinch 251-22-30-160 (or equivalent) edge connector. The AC1213 includes the adjustment pots; no pots are provided with the AC1211.

Understanding the ADC1130, ADC1131

FUNCTIONAL DESCRIPTION

Models 2B30 and 2B31 accept inputs from a variety of full bridge strain gage-type transducers or RTD sensors and convert the inputs to conditioned high level analog outputs. The primary transducers providing direct inputs may be 60Ω to 1000Ω strain gage bridges, four-wire RTD's or two- or three-wire RTD's in the bridge configuration.

The 2B30 and 2B31 employ a multi-stage design, shown in Figure 1, to provide excellent performance and maximum versatility. The input stage is a high input impedance ($10^8 \Omega$), low offset and drift, low noise differential instrumentation amplifier. The design is optimized to accurately amplify low level (mV) transducer signals riding on high common mode voltages ($\pm 10V$), with wide (1-2000V/V), single resistor (R_G), programmable gain to accommodate 0.5mV/V to 36mV/V transducer spans and 5Ω to 2000Ω RTD spans. The input stage contains protection circuitry for accidental shorts to power line voltage (130V rms) and RFI filtering circuitry.

The inverting buffer amplifier stage provides a convenient means of fine gain trim (0.8 to 1.2) by using a 10kΩ potentiometer (R_F); the buffer also allows the output to be offset by up to $\pm 10V$ by applying a voltage to the noninverting input (pin 29). For dynamic, high bandwidth measurements—the buffer output (pin 1) should be used.

The three-pole active filter uses a unity-gain configuration and provides low-pass Bessel-type characteristics—minimum overshoot response to step inputs and a fast rise time. The cutoff frequency (-3dB) is factory set at 2Hz, but may be increased up to 5kHz by addition of three external resistors ($R_{SEL1} - R_{SEL3}$).

INTERCONNECTION DIAGRAM AND SHIELDING TECHNIQUES

Figure 1 illustrates the 2B31 wiring configuration when used in a typical bridge transducer signal conditioning application. A recommended shielding and grounding technique for preserving the excellent performance characteristics of the 2B30/2B31 is shown.

Because models 2B30/2B31 are direct coupled, a ground return path for amplifier bias currents must be provided either by direct connection (as shown) or by an implicit ground path having up to 1MΩ resistance between signal ground and conditioner common (pin 28). The sensitive input and gain setting

terminals should be shielded from noise sources for best performance, especially at high gains. To avoid ground loops, signal return or cable shield should never be grounded at more than one point.

The power supplies should be decoupled with 1μF tantalum and 1000pF ceramic capacitors as close to the amplifier as possible.

TYPICAL APPLICATION AND ERROR BUDGET ANALYSIS

Models 2B30/2B31 have been conservatively specified using min-max values as well as typicals to allow the designer to develop accurate error budgets for predictable performance. The error calculations for a typical transducer application, shown in Figure 1 (350Ω bridge, 1mV/V F.S., 10V excitation), are illustrated below.

Assumptions: 2B31L is used, $G = 1000$, $\Delta T = \pm 10^\circ C$, source imbalance is 100Ω, common mode noise is 0.25V (60Hz) on the ground return.

Absolute gain and offset errors can be trimmed to zero. The remaining error sources and their effect on system accuracy (worst case) as a % of Full Scale (10V) are listed:

Error Source	Effect on Absolute Accuracy % of F.S.	Effect on Resolution % of F.S.
Gain Nonlinearity	± 0.0025	± 0.0025
Gain Drift	± 0.025	
Voltage Offset Drift	± 0.05	
Offset Current Drift	± 0.004	
CMR	± 0.00025	± 0.00025
Noise (0.01 to 2Hz)	± 0.01	± 0.01
<hr/>		
Total Amplifier Error	± 0.09175 max	± 0.01275 max
Excitation Drift	± 0.15 (± 0.03 typ)	
<hr/>		
Total Output Error (Worst Case)	± 0.24175 max (± 0.1 typ)	± 0.0127 max

The total worst case effect on absolute accuracy over $\pm 10^\circ C$ is less than $\pm 0.25\%$ and the 2B31 is capable of 1/2 LSB resolution in a 12 bit, low input level system. Since the 2B31 is conservatively specified, a typical overall accuracy error would be lower than $\pm 0.1\%$ of F.S.

In a computer or microprocessor based system, automatic recalibration can nullify gain and offset drifts leaving noise, nonlinearity and CMR as the only error sources. A transducer excitation drift error is frequently eliminated by a ratiometric operation with the system's A/D converter.

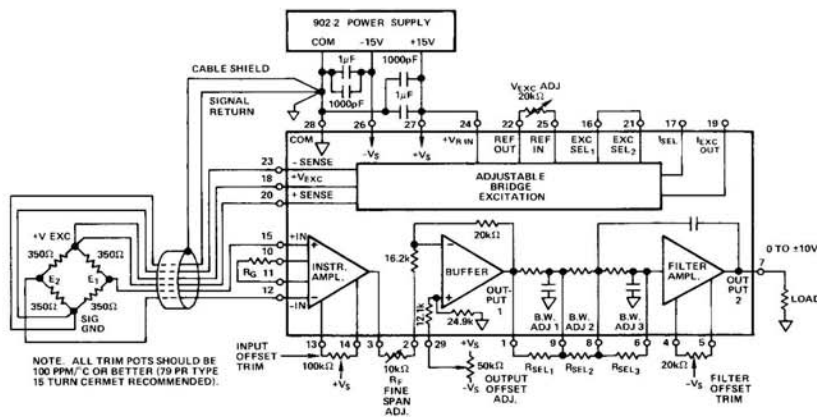


Figure 1. Typical Bridge Transducer Application Using 2B31

BRIDGE EXCITATION (2B31)

The bridge excitation stage of the model 2B31 is an adjustable output, short circuit protected, regulated supply with internally provided reference voltage (+7.15V). The remote sensing inputs are used in the voltage output mode to compensate for the voltage drop variations in long leads to the transducer. The regulator circuitry input (pin 24) may be connected to +V_S or some other positive dc voltage (pin 28 referenced) within specified voltage level and load current range. User-programmable constant voltage or constant current excitation mode may be used. Specifications are listed below in Table I.

MODEL	2B31J	2B31K	2B31L
Constant Voltage Output Mode			
Regulator Input Voltage Range	+9.5V to +28V	•	•
Output Voltage Range	+4V to +15V	•	•
Regulator Input/Output Voltage Differential	3V to 24V	•	•
Output Current ¹	0 to 100mA max	•	•
Regulation, Output Voltage vs. Supply	0.05%/V	•	•
Load Regulation, I _L = 1mA to I _L = 50mA	0.1%	•	•
Output Voltage vs. Temperature (0 to +70°C)	0.015%/°C max	•	•
Output Noise	0.003%/°C typ	•	•
Reference Voltage (Internal)	7.15V ±3%	•	•
Constant Current Output Mode			
Regulator Input Voltage Range	+9.5V to +28V	•	•
Output Current Range	100µA to 10mA	•	•
Compliance Voltage	0 to 10V	•	•
Load Regulation	0.1%	•	•
Temperature Coefficient (0 to +70°C)	0.003%/°C	•	•
Output Noise	1µA rms	•	•

¹ Output Current derated to 33mA max for 24V regulator input/output voltage differential.

Table I. Bridge Excitation Specifications

OPERATING INSTRUCTIONS

Gain Setting: The differential gain, G, is determined according to the equation:

$$G = (1 + 94k\Omega/R_G) [20k\Omega/(R_F + 16.2k\Omega)]$$

where R_G is the input stage resistor shown in Figure 1 and R_F is the variable 10kΩ resistor in the output stage. For best performance, the input stage gain should be made as large as possible, using a low temperature coefficient (10ppm/°C) R_G, and the output stage gain can then be used to make a ±20% linear gain adjustment by varying R_F.

Input Offset Adjustment: To null input offset voltage, an optional 100kΩ potentiometer connected between pins 13 and 14 (Figure 1) can be used. With gain set at the desired value, connect both inputs (pins 12 and 15) to the system common (pin 28), and adjust the 100kΩ potentiometer for zero volts at pin 3. The purpose of this adjustment is to null the internal amplifier offset and it is not intended to compensate for the transducer bridge unbalance.

Output Offset Adjustment: The output of the 2B30/2B31 can be intentionally offset from zero over the ±10V range by applying a voltage to pin 29, e.g., by using an external potentiometer or a fixed resistor. Pin 29 is normally grounded if output offsetting is not desired. The optional filter amplifier offset null capability is also provided as illustrated in Figure 1.

Filter Cutoff Frequency Programming: The low pass filter cutoff frequency may be increased from the internally set 2Hz by the addition of three external resistors connected as shown in Figure 1. The values of resistors required for a desired cutoff frequency, f_c, above 5Hz are obtained by the equation below:

$$R_{SEL1} = 11.6 \times 10^6 / (2.67f_c - 4.34);$$

$$R_{SEL2} = 27.6 \times 10^6 / (4.12f_c - 7)$$

$$R_{SEL3} = 1.05 \times 10^6 / (0.806f_c - 1.3)$$

where R_{SEL} is in ohms and f_c in Hz. Table II gives the nearest

1% R_{SEL} for several common filter cutoff (-3dB) frequencies.

f _c (Hz)	R _{SEL1} (kΩ) (Pin 1 to 9)	R _{SEL2} (kΩ) (Pin 9 to 8)	R _{SEL3} (kΩ) (Pin 8 to 6)
2	Open	Open	Open
5	1270.000	2050.00	383.000
10	523.000	806.00	154.000
50	90.000	137.00	26.700
100	44.200	68.10	13.300
500	8.660	13.30	2.610
1000	4.320	6.65	1.300
5000	0.866	1.33	0.261

Table II. Filter Cutoff Frequency vs. R_{SEL}

Voltage Excitation Programming: Pin connections for a constant voltage output operation are shown in Figure 2. The bridge excitation voltage, V_{EXC}, is adjusted between +4V to +15V by the 20kΩ (50ppm/°C) R_{VSEL} potentiometer. For ratiometric operation, the bridge excitation can be adjusted by applying an external positive reference to pin 25 of the 2B31. The output voltage is given by: V_{EXC OUT} = 3.265V_{REF IN}. The remote sensing leads should be externally connected to the excitation leads at the transducer or jumpered as shown in Figure 2 if sensing is not required.

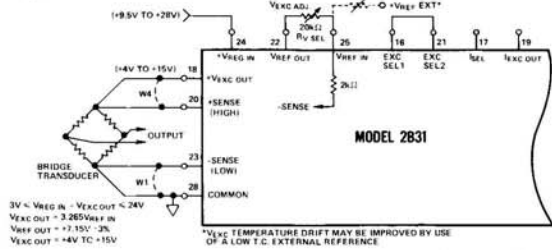


Figure 2. Constant Voltage Excitation Connections

Current Excitation Programming: The constant current excitation output can be adjusted between 100µA to 10mA by two methods with the 2B31. Figure 3 shows circuit configuration for a current output with the maximum voltage developed across the sensor (compliance voltage) constrained to +5V. The value of programming resistor R_{ISEL} may be calculated from the relationship: R_{ISEL} = (V_{REG IN} - V_{REF IN})/I_{EXC OUT}. This application requires a stable power supply because any variation of the input supply voltage will result in a change in the excitation current output.

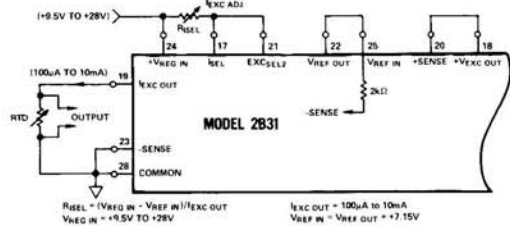


Figure 3. Constant Current Excitation Connections (V_{COMPL} = 0 to +5V)

A compliance voltage range of 0 to +10V can be obtained by connecting the 2B31 as shown in Figure 4. The 2kΩ potentiometer R_{ISEL} is adjusted for desired constant current excitation output.

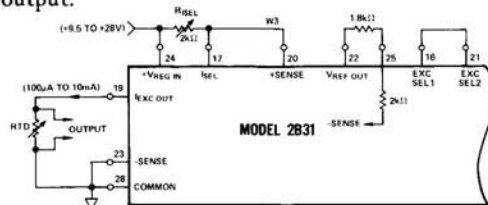


Figure 4. Constant Current Excitation Connections (V_{COMPL} = 0 to +10V)

Applying the ADC1130, ADC1131

APPLICATIONS

Strain Measurement: The 2B30 is shown in Figure 5 in a strain measurement system. A single active gage (120Ω , $GF = 2$) is used in a bridge configuration to detect small changes in gage resistance caused by strain. The temperature compensation is provided by an equivalent dummy gage and two high precision 120Ω resistors complete the bridge. The 2B35 adjustable power supply is set to a low +3V excitation voltage to avoid the self-heating error effects of the gage and bridge elements. System calibration produces a 1V output for an input of 1000 microstrains. The filter cutoff frequency is set at 100Hz.

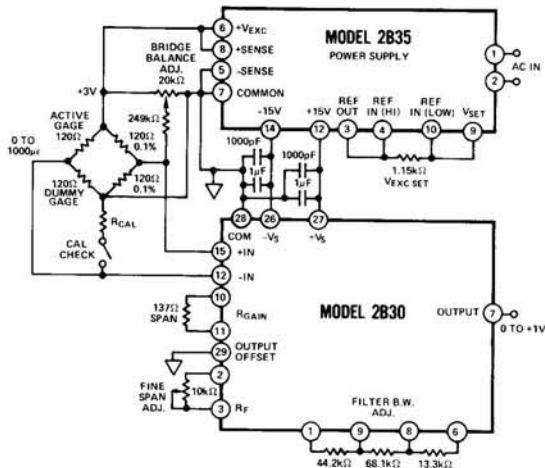


Figure 5. Interfacing Half-Bridge Strain Gage Circuit

Pressure Transducer Interface: A strain gage type pressure transducer (BLH Electronics, DHF Series) is interfaced by the 2B31 in Figure 6. The 2B31 supplies regulated excitation (+10V) to the transducer and operates at a gain of 333.3 to achieve 0-10V output for 0-10,000 p.s.i. at the pressure transducer. Bridge Balance potentiometer is used to cancel out any offset which may be present and the Fine Span potentiometer adjustment accurately sets the full scale output. Depressing the calibration check pushbutton switch shunts a system calibration resistor (R_{CAL}) across the transducer bridge to give an instant check on system calibration.

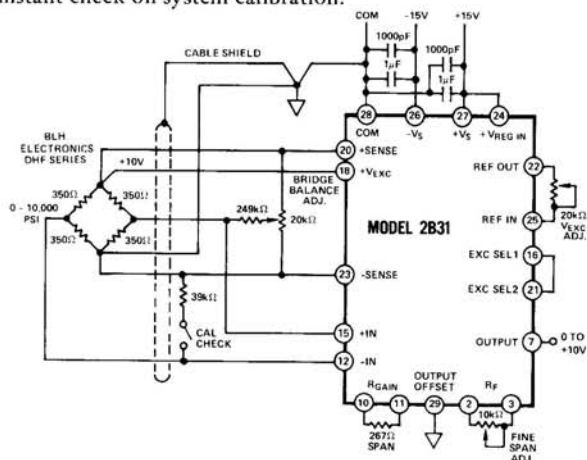


Figure 6. Pressure Transducer Interface Application

Platinum RTD Temperature Measurement: In Figure 7 model 2B31 provides complete convenient signal conditioning in a

wide range (-100°C to $+600^{\circ}\text{C}$) RTD temperature measurement system. YSI - Sostman four-wire, 100Ω platinum RTD (PT139AX) is used. The four wire sensor configuration, combined with a constant current excitation and a high input impedance offered by the 2B31, eliminates measurement errors resulting from voltage drops in the lead wires. Offsetting may be provided via the 2B31's offset terminal. The gain is set by the gain resistor for a +10V output at $+600^{\circ}\text{C}$. This application requires a stable power supply.

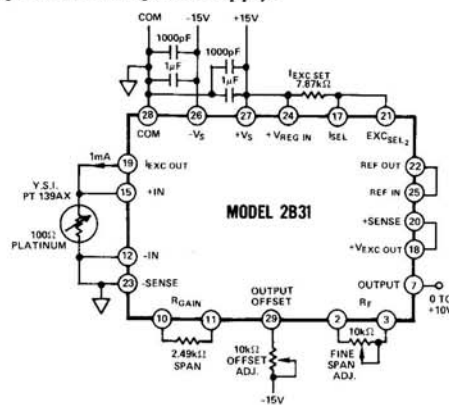


Figure 7. Platinum RTD Temperature Measurement

Interfacing Three-Wire Sensors: A bridge configuration is particularly useful to provide offset in interfacing to a platinum RTD and to detect small, fractional sensor resistance changes. Lead compensation is employed, as shown in Figure 8, to maintain high measurement accuracy when the lead lengths are so long that thermal gradients along the RTD leg may cause changes in line resistance. The two completion resistors (R_1 , R_2) in the bridge should have a good ratio tracking ($\pm 5\text{ppm}/^{\circ}\text{C}$) to eliminate bridge error due to drift. The single resistor (R_3) in series with the platinum sensor must, however, be of very high absolute stability. The adjustable excitation in the 2B31 controls the power dissipated by the RTD itself to avoid self-heating errors.

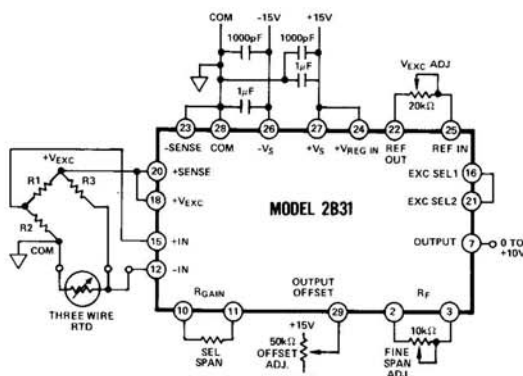


Figure 8. Three-Wire RTD Interface

Linearizing Transducer Output: To maximize overall system linearity and accuracy, some strain gage-type and RTD transducer analog outputs may require linearization. A simple circuit may be used with the 2B31 to correct for the curvature in the input signal as shown in Figure 9. The addition of feedback in the excitation stage will allow for the correction of

nonlinearity by the addition of two components. The sense of the feedback is determined by whether the nonlinearity is concave upward or concave downward (jumper A to pin 21, or to pin 25). The magnitude of the correction is determined by the resistor, R_{SEL} , and the *linearity adjust* pot provides a fine trim.

If an RTD is to be used, the adjustment can be made efficiently, without actually changing the temperature, by simulating the RTD with a precision resistance decade. The offset is adjusted at the low end of the resistance range, the fine span is adjusted at about one third of the range, and the linearity is adjusted at a resistance corresponding to full-scale temperature. One or two iterations of the adjustments will probably be found necessary because of the interaction of linearity error and scale-factor error. This circuit's applications are not restricted to RTD's; it will work in most cases where bridges are used – e.g., load cells and pressure transducers.

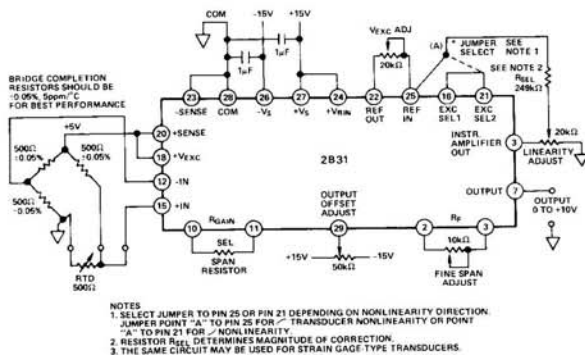


Figure 9. Transducer Nonlinearity Correction

PERFORMANCE CHARACTERISTICS

Input Offset Voltage Drift: Models 2B30/2B31 are available in three drift selections: ± 0.5 , ± 1 and $\pm 3\mu V/^{\circ}C$ (max, RTI, $G = 1000V/V$). Total input drift is composed of two sources (input and output stage drifts) and is gain dependent. Figure 10 is a graph of the worst case total voltage offset drift vs. gain for all versions.

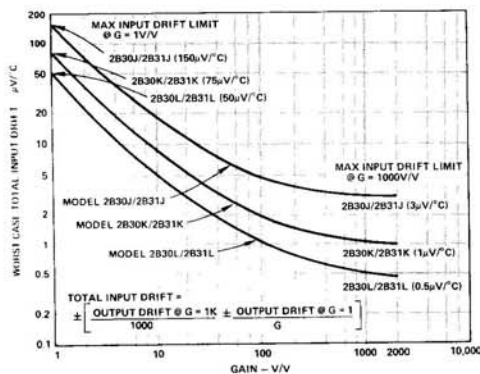


Figure 10. Total Input Offset Drift (Worst Case) vs. Gain

Gain Nonlinearity and Noise: Nonlinearity is specified as a percent of full scale (10V), e.g. 0.25mV RTO for 0.0025%. Three maximum nonlinearity selections offered are: $\pm 0.0025\%$, $\pm 0.005\%$ and $\pm 0.01\%$ ($G = 1$ to $2000V/V$). Models 2B30/2B31

offer also an excellent voltage noise performance by guaranteeing maximum RTI noise of $1\mu V$ p-p ($G = 1000V/V$, $R_S \leq 5k\Omega$) with noise bandwidth reduced to 2Hz by the LFP.

Common Mode Rejection: CMR is rated at $\pm 10V$ CMV and $1k\Omega$ source imbalance. The CMR improves with increasing gain. As a function of frequency, the CMR performance is enhanced by the incorporation of low pass filtering, adding to the 90dB minimum rejection ratio of the instrumentation amplifier. The effective CMR at 60Hz at the output of the filter ($f_c = 2Hz$) is 140dB min. Figure 11 illustrates a typical CMR vs. Frequency and Gain.

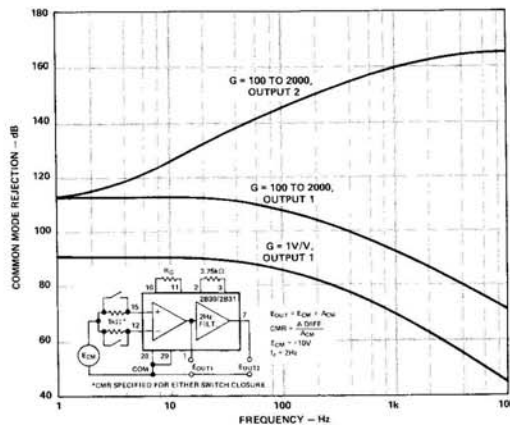


Figure 11. Common-Mode Rejection vs. Frequency and Gain

Low Pass Filter: The three pole Bessel-type active filter attenuates unwanted high-frequency components of the input signal above its cutoff frequency ($-3dB$) with 60dB/decade roll-off. With a 2Hz filter, attenuation of 70dB at 60Hz is obtained, settling time is 600ms to 0.1% of final value with less than 1% overshoot response to step inputs. Figure 12 shows the filter response.

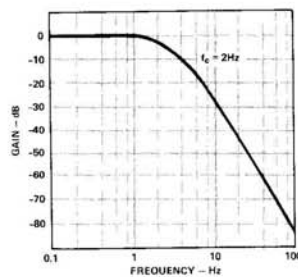


Figure 12. Filter Amplitude Response vs. Frequency

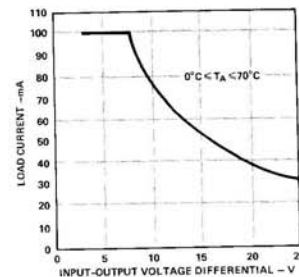


Figure 13. Maximum Load Current vs. Regulator Input-Output Voltage Differential

Bridge Excitation (2B31): The adjustable bridge excitation is specified to operate over a wide regulator input voltage range (+9.5V to +28V). However, the maximum load current is a function of the regulator circuit input-output differential voltage, as shown in Figure 13. Voltage output is short circuit protected and its temperature coefficient is $\pm 0.015\% V_{OUT}/^{\circ}C$ max ($\pm 0.003\%/^{\circ}C$ typ). Output temperature stability is directly dependent on a temperature coefficient of a reference and for higher stability requirements, a precision external reference may be used.