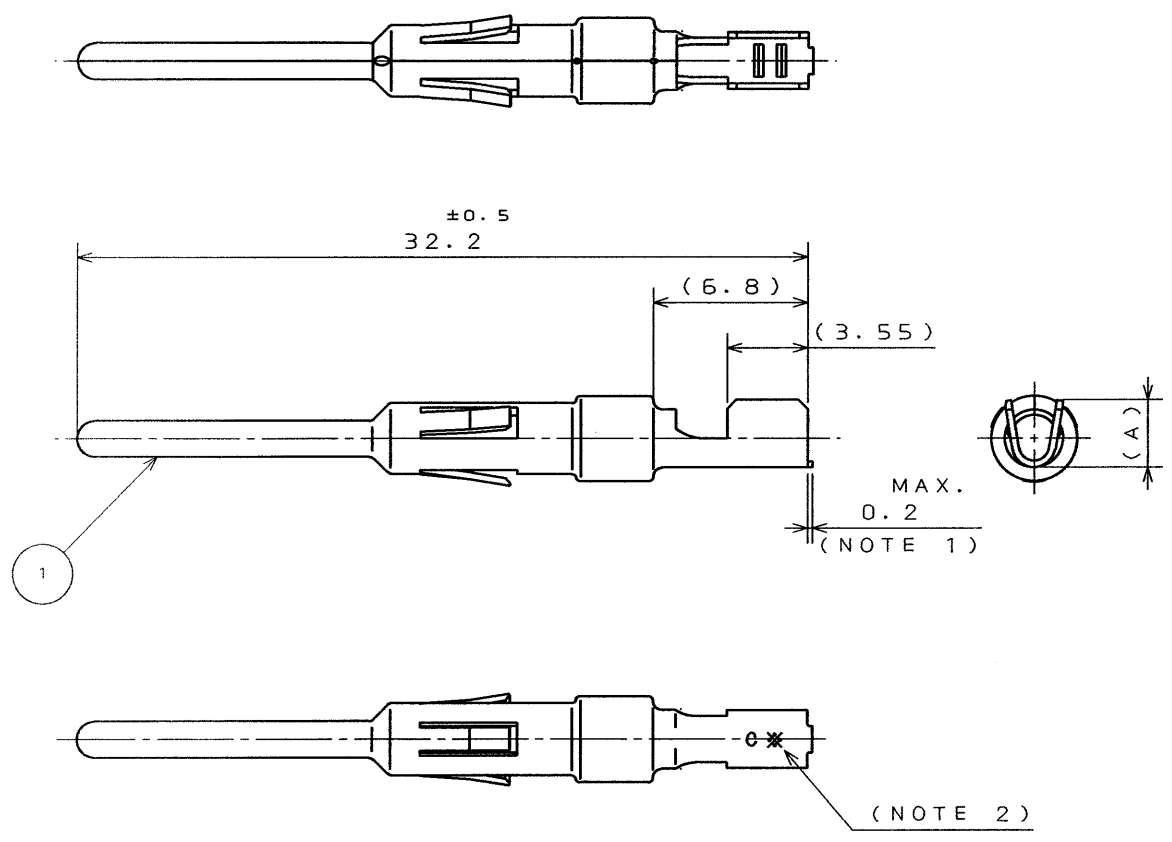


SYM.	DCN NO.	DESCRIPTION	DATE	DRAWN	CHECKED	APP'D	APP'D
------	---------	-------------	------	-------	---------	-------	-------



NOTE 1. NO PLATING ON THE SHEARED EDGES OF CONTACT.
 NOTE 2. CRIMP TYPE ARE MARKED AS INDICATED.
 NOTE 3. APPLICABLE WIRE SIZE IS MENTIONED BELOW.

TABLE 1

CRIMP TYPE	APPLICABLE WIRE		DIMENSIONS
	WIRE SIZE	INSULATION OUTER DIA.	A
C 1	AWG #14~16 (1.25 mm~2 mm)	φ 3.8 MAX.	3.7
C 2	AWG #16~20 (1.25 mm~0.5 mm)	φ 3.8 MAX.	3
C 3	AWG #20~24 (0.5 mm~0.2 mm)	φ 3.8 MAX.	2.2

1	#16 PIN CONTACT	1	COPPER ALLOY	SILVER PLATING	
ITEM	DESCRIPTION	Q'TY	MATERIAL	FINISH	REMARKS
UNLESS OTHERWISE SPECIFIED: T700142		DATE	TITLE		JAE-CONNECTOR.COM JAPAN AVIATION ELECTRONICS INDUSTRY, LTD. Reference Only MUSASHINO, AKISHIMA-SHI TOKYO, JAPAN DWG. NO. SJ025424-E
DIMENSIONS ARE IN MILLIMETERS TOLERANCES ON : (INCHES) FRACTIONS DECIMALS ANGLES		21. Apr. '95	ST-JL05-16P-C*		
		M. OOWA	(#16 PIN CONTACT) (INDIVIDUAL)		
		S. NANA0	SERIES SCALE		
		APP'D	JL05	3/1	
		APP'D			