

**PLEASE CHECK WWW.MOLEX.COM FOR LATEST PART INFORMATION**

**Part Number:** **0476322000**  
**Status:** **Active**  
**Overview:** high definition multimedia interface hdmi  
**Description:** 0.50mm (.020") Pitch HDMI\* Receptacle, Vertical, SMT, with Flange and Pick-and-Place Cover, 0.30µm (12µ") Gold (Au) Plating, 19 Circuits, TrayPackaging, Lead free

**Documents:**

[3D Model](#) [Product Specification PS-47632-001 \(PDF\)](#)  
[Drawing \(PDF\)](#) [RoHS Certificate of Compliance \(PDF\)](#)

**General**

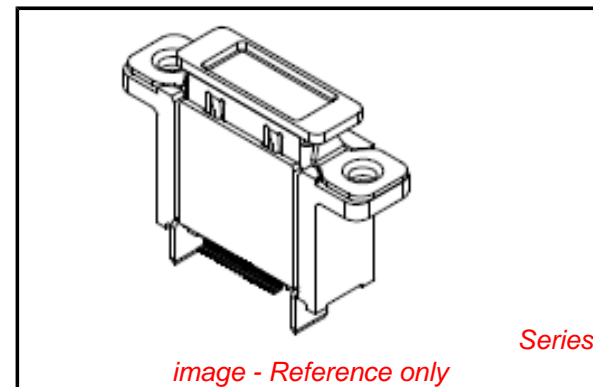
Product Family	I/O Connectors
Series	<u>47632</u>
Application	Wire-to-Board
Comments	With Flange
Component Type	Receptacle
Overview	<u>high definition multimedia interface hdmi</u>
Product Name	HDMI
Type	N/A

**Physical**

Boot Color	N/A
Circuits (Loaded)	19
Circuits (maximum)	19
Color - Resin	Black
Gender	Male
Keying to Mating Part	Yes
Lock to Mating Part	Yes
Material - Metal	Copper Alloy
Material - Plating Mating	Gold
Material - Plating Termination	Tin-Bismuth
Material - Resin	High Temperature Thermoplastic
Number of Rows	2
Orientation	Vertical
PCB Locator	Yes
PCB Retention	Yes
Packaging Type	Tray
Panel Mount	With Flange
Pitch - Mating Interface (in)	0.020 In
Pitch - Mating Interface (mm)	0.50 mm
Pitch - Term. Interface (in)	0.020 In
Pitch - Term. Interface (mm)	0.50 mm
Plating min: Mating (µin)	12
Plating min: Mating (µm)	0.30
Plating min: Termination (µin)	0.025
Plating min: Termination (µm)	1
Polarized to Mating Part	Yes
Polarized to PCB	Yes
Ports	1
Temperature Range - Operating	-20°C to +85°C
Termination Interface: Style	Surface Mount
Waterproof / Dustproof	No
Wire Size AWG	N/A

**Electrical**

Current - Maximum per Contact	0.5A
-------------------------------	------



*image - Reference only*

**EU RoHS**

**ELV and RoHS  
Compliant**  
**REACH SVHC  
Not Reviewed**  
**Halogen-Free  
Status**

**China RoHS**



**Need more information on product  
environmental compliance?**

Email [productcompliance@molex.com](mailto:productcompliance@molex.com)  
For a multiple part number RoHS Certificate of Compliance, [click here](#)

Please visit the [Contact Us](#) section for any non-product compliance questions.

**Search Parts in this Series**  
47632Series

Voltage - Maximum

40V DC

**Material Info**

**Reference - Drawing Numbers**

Packaging Specification

PK-47632-002

Product Specification

PS-47632-001

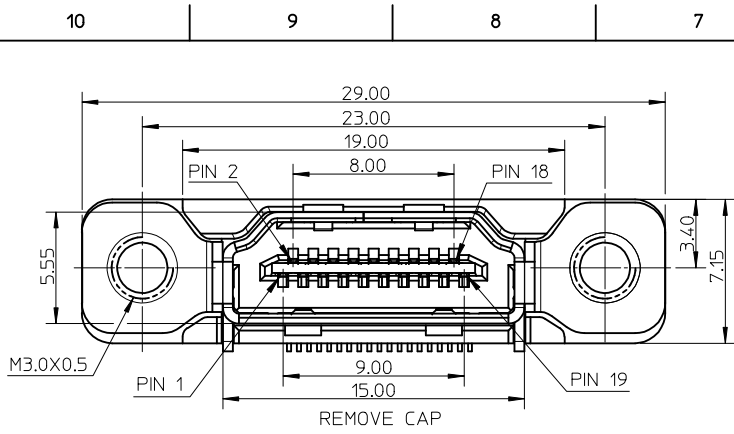
Sales Drawing

SD-47632-200

\* High Definition Multimedia Interface and HDMI are trademarks of HDMI Licensing, LLC.

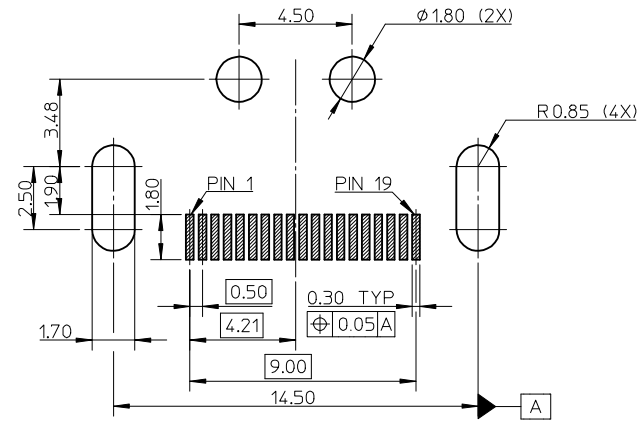
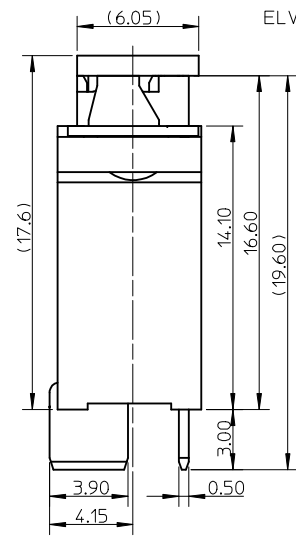
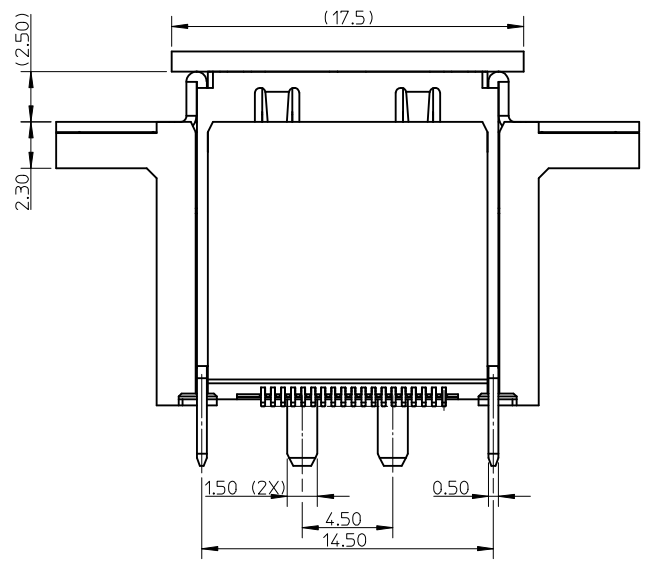
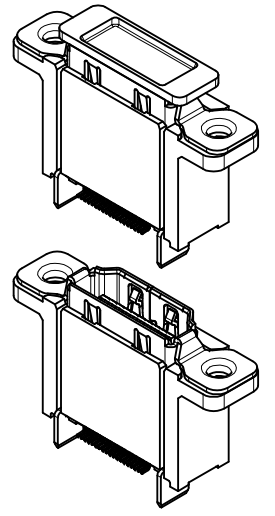
This document was generated on 05/19/2010

**PLEASE CHECK [WWW.MOLEX.COM](http://WWW.MOLEX.COM) FOR LATEST PART INFORMATION**



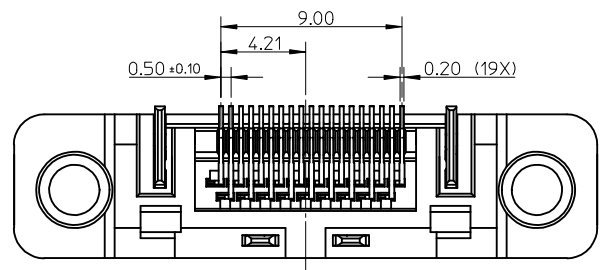
NOTES:

1. MATERIAL:  
HOUSING/COVER: HIGH TEMPERATURE THERMAL PLASTIC. COLOR: BLACK.  
SHELL: COPPER ALLOY.  
TERMINAL: COPPER ALLOY.
2. PLATING:  
TERMINAL:  
CONTACT AREA: PLATING SPEC REFER TO REMARK IN CHART.  
SOLDER AREA: 1 MICROMETER MIN. TIN-BISMUTH ALLOY PLATED.  
UNDER PLATE: 1.27 MICROMETER MIN. NICKEL.  
SHELL: 3 MICROMETER MIN. MATTE TIN PLATE OVERALL.
3. COPLANARITY: 0.10mm MAX .
4. PRODUCT SPECIFICATION REFER TO PS-47632-001.
5. PACKAGE SPECIFICATION REFER TO PK-47632-002.
6. PRODUCT COMPLIANT TO ROHS DIRECTIVE 2002/95/EC AND ELV DIRECTIVE 2000/53/EC.



RECOMMENDED PCB LAYOUT  
CONNECTOR SIDE  
THICKNESS=1.60mm  
(GENERAL TOLERANCE: ±0.05)

P/N	CONTACT PLATING SPEC
47632-2000	GOLD 0.3 MICROMETER MIN.
47632-2100	GOLD FLASH



REV	DESCRIPTION
1	REVISED
2	EC NO: SH2009-0610
3	DRWN:XOZHANG 2009/03/27
4	CHKD:XJISONG 2009/03/31
5	APPR:HWANG 2009/05/25

QUALITY SYMBOLS	GENERAL TOLERANCES (UNLESS SPECIFIED)	
	mm	INCH
▽=0	4 PLACES ± ---	± ---
▽=0	3 PLACES ± ---	± ---
	2 PLACES ± 0.15	± ---
	1 PLACE ± 0.25	± ---
	ANGULAR ± 1 °	
	DRAFT WHERE APPLICABLE MUST REMAIN WITHIN DIMENSIONS	

DIMENSION STYLE		SCALE	DESIGN UNITS
MM ONLY		1:1	METRIC
DRAWN BY	DATE	TITLE	
CHEN BO	2007/10/18	HDMI RECEPTACLE VERTICAL SMT TYPE WITH FLANGE	
CHECKED BY	DATE	MOLEX INCORPORATED	
JOHNSON	2007/10/18	SD-47632-200	
APPROVED BY	DATE	SHEET NO.	
HARVEY	2007/10/18	1 OF 1	
MATERIAL NO.	DOCUMENT NO.	THIS DRAWING CONTAINS INFORMATION THAT IS PROPRIETARY TO MOLEX INCORPORATED AND SHOULD NOT BE USED WITHOUT WRITTEN PERMISSION	
SEE CHART			

THIRD ANGLE PROJECTION
MOLEX INCORPORATED
SD-47632-200
1 OF 1
THIS DRAWING CONTAINS INFORMATION THAT IS PROPRIETARY TO MOLEX INCORPORATED AND SHOULD NOT BE USED WITHOUT WRITTEN PERMISSION