

**PLEASE CHECK WWW.MOLEX.COM FOR LATEST PART INFORMATION**

**Part Number:** **0476301010**  
**Status:** **Active**  
**Overview:** high definition multimedia interface hdmi  
**Description:** 0.50mm (.020") Pitch HDMI\* Receptacle, Right Angle, Mid-Mount, 0.76µm (30µ") Gold (Au) Plating, Shell Nickel (Ni) Plated, High Temperature Housing, Tape and Reel Package, 19 Circuits, Halogen Free, Lead Free

**Documents:**

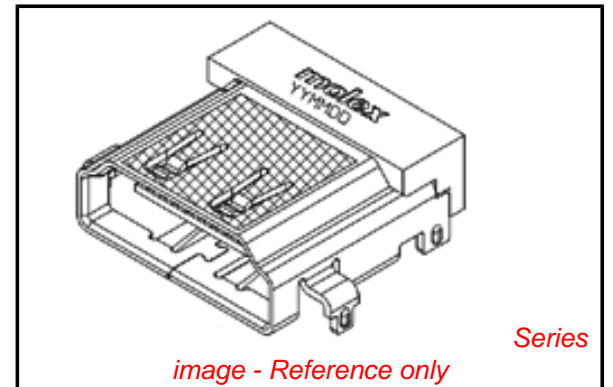
[3D Model](#) [Product Specification PS-47152-001 \(PDF\)](#)  
[Drawing \(PDF\)](#) [RoHS Certificate of Compliance \(PDF\)](#)

**General**

Product Family	I/O Connectors
Series	<a href="#">47630</a>
Application	Wire-to-Board
Comments	Halogen-free
Component Type	Receptacle
Overview	<a href="#">high definition multimedia interface hdmi</a>
Product Name	HDMI
Type	N/A

**Physical**

Boot Color	N/A
Circuits (Loaded)	19
Circuits (maximum)	19
Color - Resin	Black
Durability (mating cycles max)	10,000
Gender	Male
Keying to Mating Part	Yes
Lock to Mating Part	Yes
Material - Metal	Copper Alloy
Material - Plating Mating	Gold
Material - Plating Termination	Tin-Bismuth
Material - Resin	High Temperature Thermoplastic
Number of Rows	2
Orientation	Right Angle
PCB Locator	Yes
PCB Retention	Yes
Packaging Type	Embossed Tape on Reel
Panel Mount	N/A
Pitch - Mating Interface (in)	0.020 In
Pitch - Mating Interface (mm)	0.50 mm
Pitch - Term. Interface (in)	0.020 In
Pitch - Term. Interface (mm)	0.50 mm
Plating min: Mating (µin)	30
Plating min: Mating (µm)	0.76
Plating min: Termination (µin)	40
Plating min: Termination (µm)	1
Polarized to Mating Part	Yes
Polarized to PCB	Yes
Ports	1
Surface Mount Compatible (SMC)	Yes
Temperature Range - Operating	-20°C to +85°C
Termination Interface: Style	Through Hole
Waterproof / Dustproof	No
Wire Size AWG	N/A



**EU RoHS**

**ELV and RoHS  
Compliant**  
**REACH SVHC  
Not Reviewed**  
**Halogen-Free  
Status  
Not Reviewed**

**China RoHS**



**Need more information on product  
environmental compliance?**

Email [productcompliance@molex.com](mailto:productcompliance@molex.com)  
 For a multiple part number RoHS Certificate of Compliance, [click here](#)

Please visit the [Contact Us](#) section for any non-product compliance questions.

**Search Parts in this Series**

[47630Series](#)

**Mates With**

[88768](#) HDMI cable assembly, [88764](#) HDMI Adapter, [88767](#) HDMIAdapter

**Electrical**

Current - Maximum per Contact	0.5A
Shield Type	Full Shield
Shielded	Yes
Voltage - Maximum	40V DC

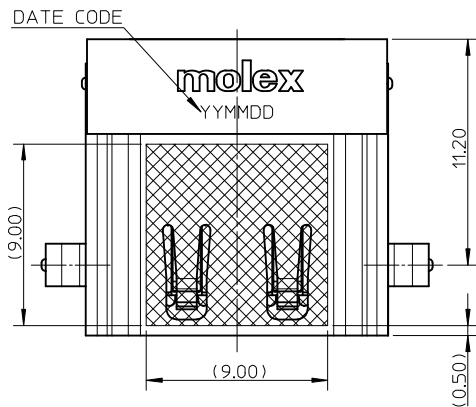
**Material Info****Reference - Drawing Numbers**

Packaging Specification	PK-47630-001
Product Specification	PS-47152-001
Sales Drawing	SD-47630-100

\* High Definition Multimedia Interface and HDMI are trademarks of HDMI Licensing, LLC.

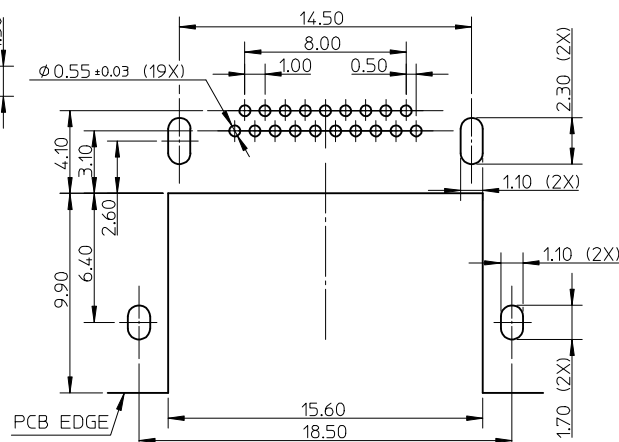
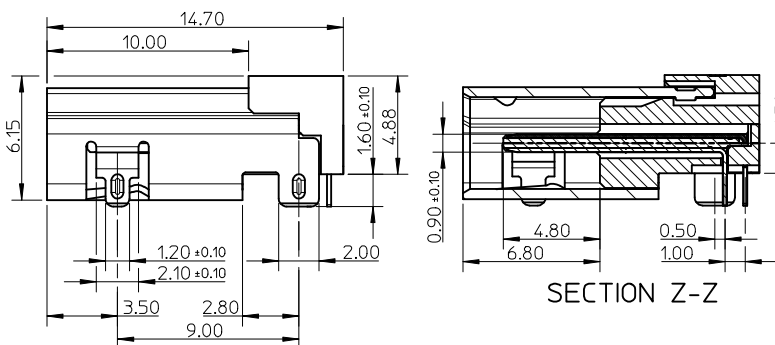
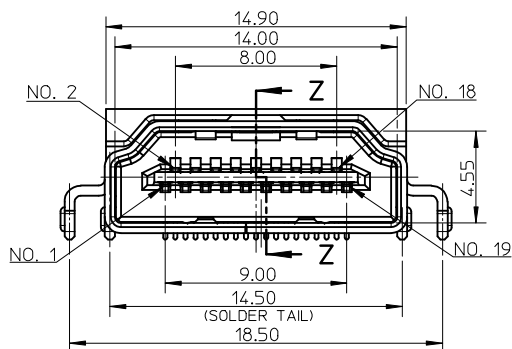
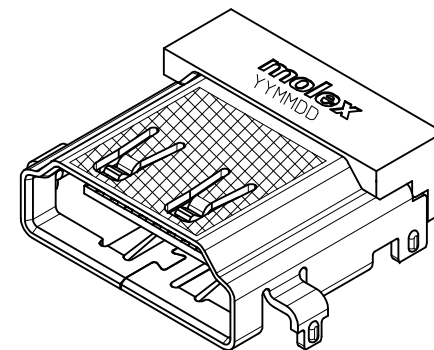
This document was generated on 05/19/2010

**PLEASE CHECK [WWW.MOLEX.COM](http://WWW.MOLEX.COM) FOR LATEST PART INFORMATION**

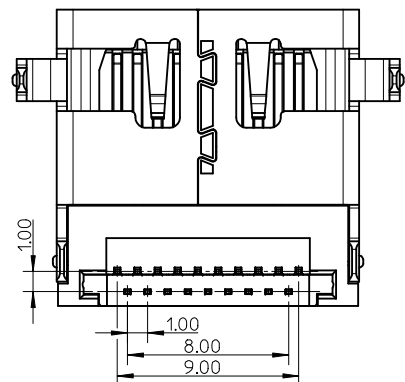


NOTES:

- MATERIAL:  
HOUSING/COVER: HIGH TEMPERATURE THERMAL PLASTIC, UL94V-0. COLOR: BLACK.  
SHELL: COPPER ALLOY.  
TERMINAL: COPPER ALLOY.
- PLATING:  
TERMINAL:  
CONTACT AREA: SEE TABLE.  
SOLDER AREA: 1 MICROMETER MIN. TIN-BISMUTH ALLOY PLATED.  
UNDER PLATE: 1 MICROMETER MIN. NICKEL.  
SHELL: 1.27 MICROMETER MIN. SOLDERABLE NICKEL PLATE OVERALL.
- PRODUCT SPECIFICATION REFER TO PS-47152-001.
- PACKAGE SPECIFICATION REFER TO PK-47630-001.
- PRODUCT COMPLIANT TO RoHS DIRECTIVE 2002/95/EC AND ELV DIRECTIVE 2000/53/EC.



47630-1012	GOLD FLASH	HALOGEN FREE
47630-1011	0.25 MICROMETER MIN. GOLD PLATING	
47630-1010	0.76 MICROMETER MIN. GOLD PLATING	HALOGEN
47630-1002	GOLD FLASH	
47630-1001	0.25 MICROMETER MIN. GOLD PLATING	
47630-1000	0.76 MICROMETER MIN. GOLD PLATING	DESCRIPTION
P/N	CONTACT AREA PLATING	



<b>ADD PART NUMBER</b> EC NO: SHZ009-0698 DRWN:XZ/HANG 2009/05/13 CHKD:XJ/SONG 2009/05/13 APPR:HW/HANG 2009/07/19	<b>QUALITY SYMBOLS</b> ▽=0 ◻=0	<b>GENERAL TOLERANCES (UNLESS SPECIFIED)</b>		<b>DIMENSION STYLE</b> MM ONLY	<b>SCALE</b> 4:1	<b>DESIGN UNITS</b> METRIC	THIRD ANGLE PROJECTION	
		mm	INCH	DRAWN BY CHEN BO	DATE 2007/10/15	<b>TITLE</b> HDMI RECEPTACLE RIGHT ANGLE MID MOUNT TYPE		
		4 PLACES ± --- ± ---	3 PLACES ± --- ± ---	CHECKED BY JOHNSON	DATE 2007/10/15	MOLEX INCORPORATED		
		2 PLACES ± 0.20 ± ---	1 PLACE ± 0.30 ± ---	APPROVED BY HARVEY	DATE 2007/10/15	MATERIAL NO. SEE TABLE	DOCUMENT NO. SD-47630-100	SHEET NO. 1 OF 1
ANGULAR ± 1 °		DRAFT WHERE APPLICABLE MUST REMAIN WITHIN DIMENSIONS		THIS DRAWING CONTAINS INFORMATION THAT IS PROPRIETARY TO MOLEX INCORPORATED AND SHOULD NOT BE USED WITHOUT WRITTEN PERMISSION				