

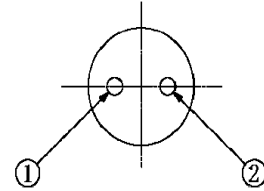
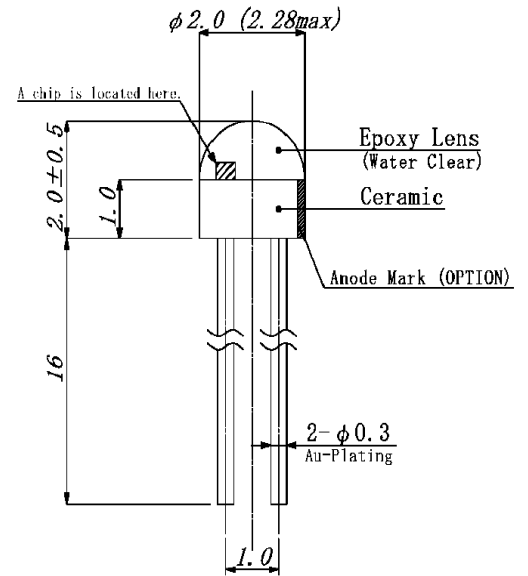
## MT1058A-UY

### Features

Wide Viewing Angle  
Compact

### Applications

Indicator  
Light Source for Sensor  
Optical Switches



① Cathode      ② Anode

### Maximum Ratings (Ta=25°C)

Characteristic	Symbol	Max.	Test Condition	Unit
Forward Current	I <sub>F</sub>	30	–	mA
Pulsed Forward Current	I <sub>FP</sub>	.30	tw=10μ S, T=10mS	A
Reverse Voltage	V <sub>R</sub>	10	–	V
Power Dissipation	P <sub>D</sub>	80.00	–	mW
Operating Temperature	T <sub>opr</sub>	-20 ~ +80	–	°C
Storage Temperature	T <sub>stg</sub>	-30 ~+100	–	°C
Junction Temperature	T <sub>j</sub>	100	–	°C
Soldering Temperature	T <sub>sol</sub>	260	for 5 sec. max	°C

### Opto-Electrical Characteristics (Ta=25°C)

Characteristic	Symbol	Test Condition	Min	Typ	Max	Unit
Forward Voltage	V <sub>F</sub>	I <sub>F</sub> =20mA	–	2.10	2.40	V
Reverse Current	I <sub>R</sub>	V <sub>R</sub> =10V	–	–	100	μA
Power Output	PO	I <sub>F</sub> =20mA	–	.10	–	mW
Luminous Intensity	I <sub>v</sub>	I <sub>F</sub> =20mA	–	5.00	–	mcd
Half Intensity Beam Angle	θ	–	–	± 75°	–	deg.
Peak Wavelength	λ <sub>p</sub>	I <sub>F</sub> =20mA	–	585	–	nm
Dominant Wavelength	λ <sub>d</sub>	I <sub>F</sub> =20mA	–	580	–	nm
Spectral Line Half Width	Δλ	I <sub>F</sub> =20mA	–	32	–	nm

### Company Headquarters

120 Broadway  
Menands, New York 12204  
Toll Free: 800.984.5337  
Fax: 518.432.7454

### West Coast Sales Office

950 South Coast Drive, Suite 265  
Costa Mesa, California 92626  
Toll Free: 800.984.5337  
Fax: 714.850.9314

## MT1058A-UY Graphs

