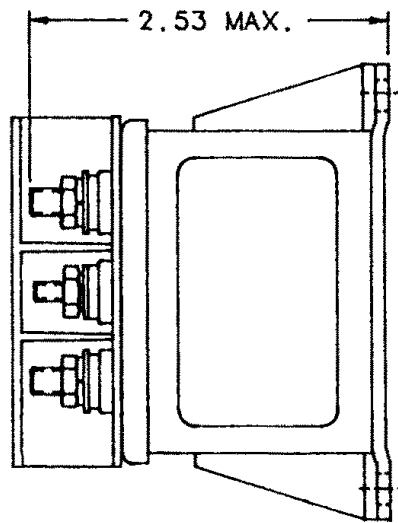
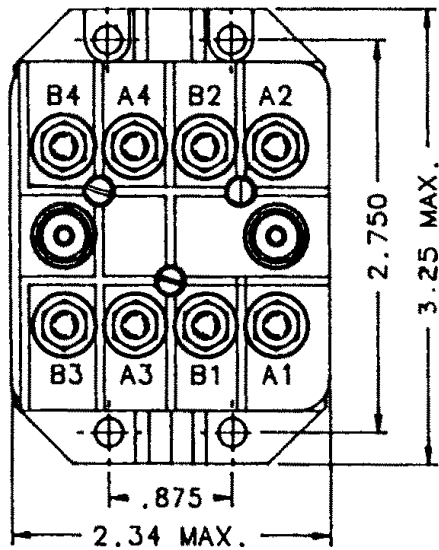


**DH-7PF 4PST 2 N.O. & 2 N.C., 50 Amps,
28 VDC or 115 VAC, 400 Hz**

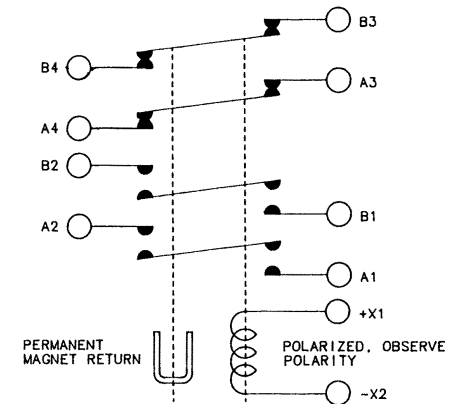


Features:

- 4PST Main Contacts
- Hermetically Sealed
- 28 VDC or 115 VAC, 400 Hz
- 50 Amps
- High Reliability
- Meets many requirements of MIL-R-6106
- Light Weight Construction



CONTACTOR CONFIGURATION



Notes:

Dimensions for this product are expressed in inches.
Multiply values by 25.4 for millimeters.

PRODUCT SPECIFICATIONS	
Construction	Hermetically Sealed
Main Contacts:	
Configuration	4PST 2 N.O. & 2 N.C.
Voltage (Nominal)	2 Poles 28 VDC & 2 Poles 115V, 400 Hz
Current (Resistive)	50 Amps
Coil Data:	
Duty Cycle	Continuous
Voltage (Nominal)	28 VDC
Pick-Up Voltage	18 VDC Maximum
Drop-Out Voltage	1.5 - 7.0 Volts
Coil Current @ 28 VDC & +25°C	175 Milliamperes Maximum
Operating Temperature	-55°C to +71°C
Life:	
Electrical	50,000 Cycles
Mechanical	100,000 Cycles
Weight Maximum	15 Oz.

For factory-direct application assistance, contact the HARTMAN product team at (419) 521-9500, Fax (419) 526-2749.

© 2004 by Tyco Electronics Corporation. All Rights Reserved.
HARTMAN and TYCO are trademarks.