

**PLEASE CHECK WWW.MOLEX.COM FOR LATEST PART INFORMATION**

**Part Number:** [0358962010](#)  
**Status:** **Active**  
**Description:** 1.02/2.28mm (.040/.090") Tab, Hybrid Wire-to-Wire Housing, Female, 20 Circuits

**Documents:**

[3D Model](#) [RoHS Certificate of Compliance \(PDF\)](#)  
[Drawing \(PDF\)](#)

**General**

Product Family	Crimp Housings
Series	<a href="#">35896</a>
Product Name	N/A

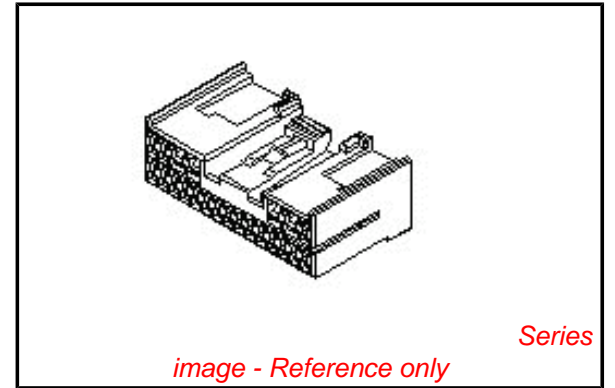
**Physical**

Circuits (maximum)	20
Color - Resin	Natural, Yellow
Gender	Female
Glow-Wire Compliant	No
Material - Resin	Polyester
Number of Rows	2
Packaging Type	Bag
Panel Mount	Yes
Pitch - Mating Interface (in)	0.098 In
Pitch - Mating Interface (mm)	2.50 mm
Stackable	No
Temperature Range - Operating	-40°C to +80°C

**Material Info**

**Reference - Drawing Numbers**

Sales Drawing	SD-35896-008
---------------	--------------



*image - Reference only*

**EU RoHS**

**ELV and RoHS  
Compliant**  
**REACH SVHC**  
 Not Reviewed  
**Halogen-Free  
Status**

**China RoHS**



**Need more information on product  
environmental compliance?**

Email [productcompliance@molex.com](mailto:productcompliance@molex.com)  
 For a multiple part number RoHS Certificate of Compliance, [click here](#)

Please visit the [Contact Us](#) section for any non-product compliance questions.

**Search Parts in this Series**

[35896Series](#)

**Mates With**

[35897](#)

**Use With**

[50654](#) , [50660](#)

DO NOT SCALE DRAWING DIMENSION IN METRIC

DWG. NO. SD-35896-008

SIMILAR ITEM

PROJECT NO.

C

B

8

7

6

5

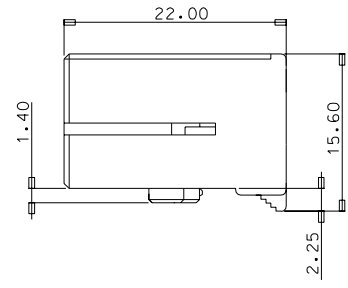
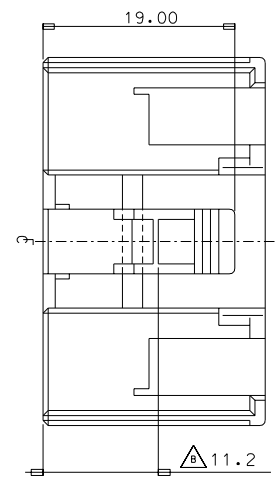
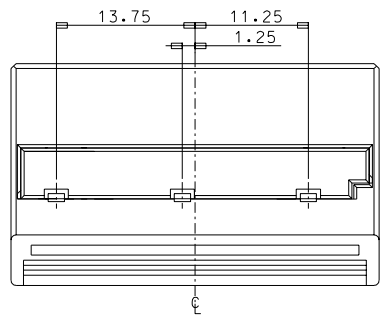
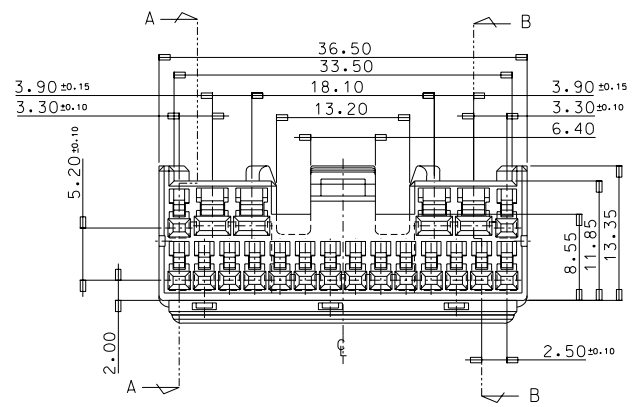
4

3

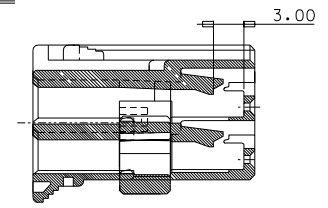
2

1

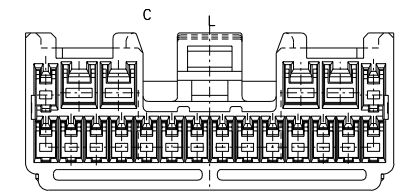
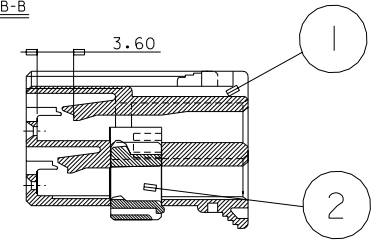
NO.	PART NO.	PART NAME	MATERIAL	REMARK
1	35896-2090	.040/090 F/HSG 20P	POLYESTER	WHITE
2	35896-2083	.040/090 FEMALE TPA 20P	POLYESTER	YELLOW



SECTION A-A



SECTION B-B



NOTE  
 1. MATERIAL & FINISH: SEE TABLE  
 2. APPLICATION: .040/090 MALE HOUSING ASS'Y 20P(ENG. NO.:35897-2010)

RELEASE TO MANUFACTURING EC NO.: KOR2002-0139 DRWN: H.C.RHO 02/06/25 CHK: B.K.CHOI 02/06/25 APPR: C.W.LEE 02/06/25	QUALITY SYMBOLS MAJOR = CRITICAL =	GENERAL TOLERANCES: (UNLESS SPECIFIED)		SCALE 2:1	DESIGN UNITS <input checked="" type="checkbox"/> mm <input type="checkbox"/> INCH	THIRD ANGLE PROJECTION	DIMENSIONS: <input type="checkbox"/> mm <input type="checkbox"/> INCH <input checked="" type="checkbox"/> mm ONLY		SHT	REV
		4 PLACES ±0.	±.	DRAWN BY & DATE	TITLE: .040/090 FEMALE HOUSING ASS'Y 20P					
		3 PLACES ±0.	±.	CHECKED BY & DATE						
		2 PLACES ±0.2	±.	APPROVED BY & DATE	MOLEX INCORPORATED					
1 PLACE ±0.3	±.	CAD FILENAME								
DRAFT WHERE APPLICABLE MUST REMAIN WITHIN DIMENSIONS		ANGULAR: ± 1 °		MATERIAL NO. SEE CHART	DRAWING NO. SD-35896-008	SHEET NO. 1 OF 1		SIZE B		
THIS DRAWING CONTAINS INFORMATION THAT IS PROPRIETARY TO MOLEX INCORPORATED AND SHOULD NOT BE USED WITHOUT WRITTEN PERMISSION.								MX-A3		

8

7

6

5

4

3

2

MX-A3