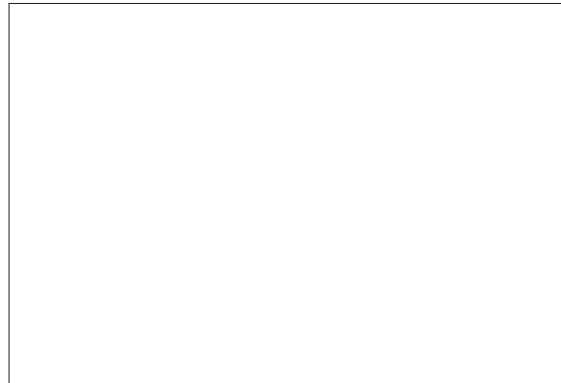


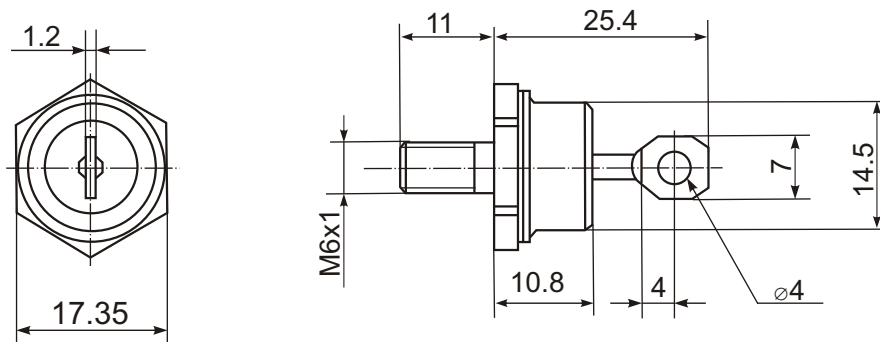
# SMD-40



## Rectifier Diode



Type	$V_{RRM}$	$I_{FAVM} (T_c, ^\circ C)$	$I_{FRMS}$	$I_{FSM}$	$i^2t$	$V_{FM}$	$I_{FM}$	$V_{FO}$	$r_F$	$T_{VJM}$	$R_{thJC}$
	V	A	A	A	$kA^2s$	V	A	V	$m\Omega$	$^\circ C$	K/W
SMD-40	100-1200	40 (140)	62	570	1.6	1.30	220	0.70	4.3	150	1.0



SMD-40



SMD-40R



### Features:

- Hermetic metal case with ceramic insulator
- Capacity of supporting high surge current
- International standard case

### Typical Applications:

- AC/DC converters
- DC power supplies
- Machine tool controls