

AC Power Line Choke

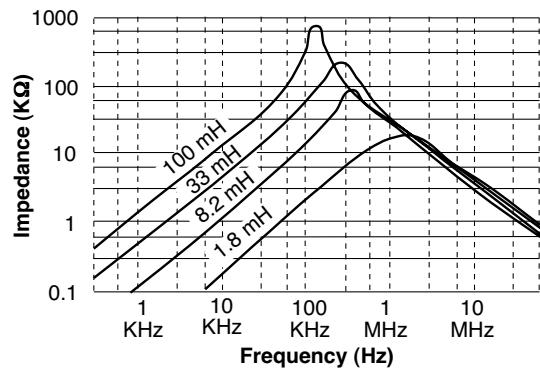
EPZ3041V-XXX

- Used as AC Power Line Filters in CTV, VTR, Audios, PC's, Facsimilies and Power Supply Applications
- UL940-V Recognized Materials
- Temperature Rise : 45°C Max.
- UL1446 Insulating System
- 2000 Vrms Isolation

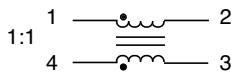
Electrical Parameters @ 25° C

Part Number	Inductance (mH Min.) [Pins 1-2, 4-3]	Current Rating (A rms Max.)
EPZ3041V-222	2.2	3.0
EPZ3041V-272	2.7	2.7
EPZ3041V-452	4.5	2.5
EPZ3041V-562	5.6	2.2
EPZ3041V-682	6.8	2.0
EPZ3041V-822	8.2	1.8
EPZ3041V-123	12	1.6
EPZ3041V-153	15	1.3
EPZ3041V-183	18	1.2
EPZ3041V-273	27	1.0
EPZ3041V-333	33	0.8
EPZ3041V-563	56	0.7
EPZ3041V-683	68	0.6

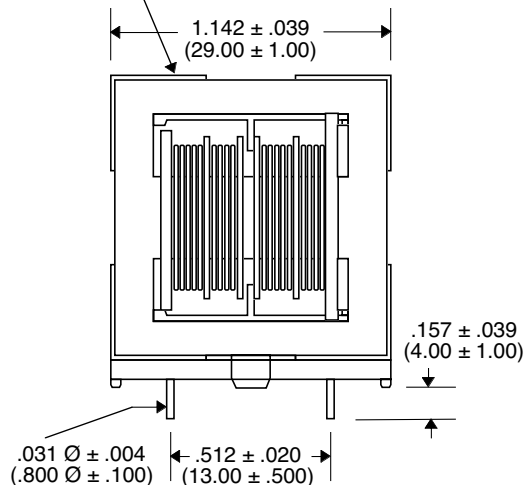
Impedance Characteristics



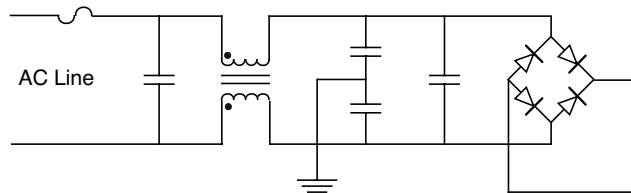
Schematic



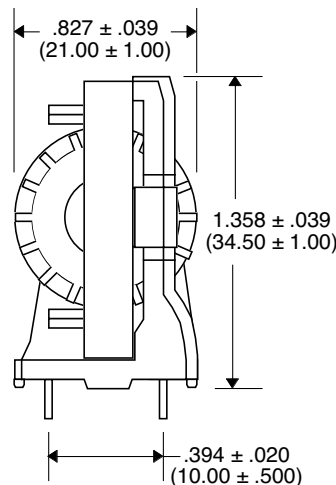
Marking :
PCA
EPZ3041V-XXX
D.C.



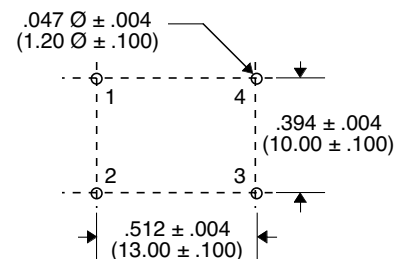
Circuit Sample



Package



Recommended PWB Piercing Plan



Unless Otherwise Specified Dimensions are in Inches /mm ±.010 /.25