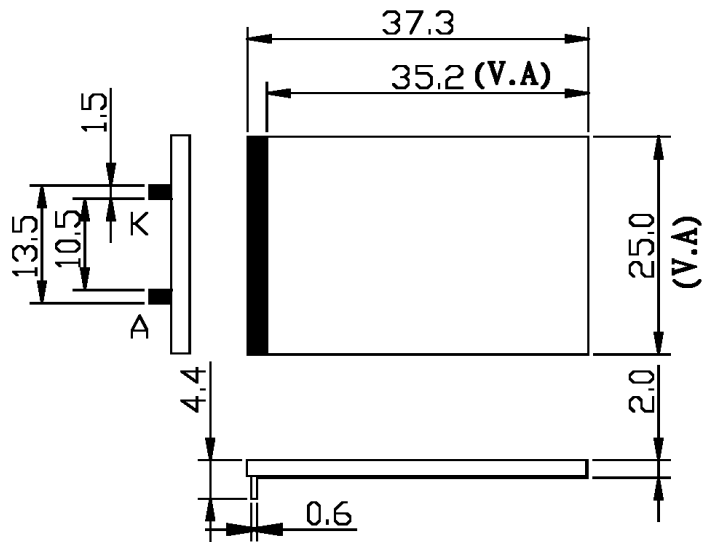
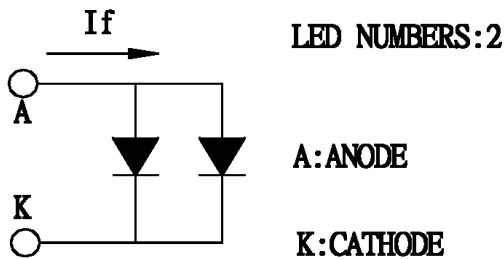


**Features**

Design flexibility – Available in a variety sizes and colors to suit most any application.  
 Durable Acrylic Panel – Offers sturdy mechanical support and device stability.  
 Long lifetimes – Typically 100k hours.  
 Low power consumption – Uses far less power than standard incandescent EL or CCFL light sources.

**Applications**

Backlighting LCD Displays; Panels and Symbols  
 Illumination of Large Surface Areas



**Electrical and Optical Characteristics (Ta=25°C)**

Part Number	PWL nm λP	Material	View Angle 2θ <sub>1/2</sub>	Luminous Intensity I <sub>v</sub>				Forward Voltage V <sub>F</sub>			
				min.	typ.	max.	IF@	min.	typ.	max.	IF@
MTBL2316-G	574	InGaAlP	-	-	50.00	-	20mA	-	3.90	-	20mA
-	nm	-	deg	mcd				-	V		-