

PLEASE CHECK WWW.MOLEX.COM FOR LATEST PART INFORMATION

Part Number: [0705530001](#)
Status: **Active**
Overview: [cgrid_sl_products](#)
Description: 2.54mm (.100") Pitch SL™ Header, Low Profile, Single Row, Right Angle, .120" Pocket, Shrouded, 2 Circuits, 0.38µm (15µ") Gold (Au) Selective Plating, Tin (Sn) PC Tail Plating

Documents:

| | |
|---|--|
| 3D Model | Product Specification PS-70400 (PDF) |
| Drawing (PDF) | Product Specification PS-70541 (PDF) |
| Packaging Specification (PDF) | RoHS Certificate of Compliance (PDF) |

Agency Certification

| | |
|-----|---------|
| CSA | LR19980 |
| UL | E29179 |

General

| | |
|----------------|-----------------------------------|
| Product Family | PCB Headers |
| Series | 70553 |
| Application | Wire-to-Board |
| Overview | cgrid_sl_products |
| Product Name | SL™ |

Physical

| | |
|--------------------------------|--------------------------------|
| Breakaway | No |
| Circuits (Loaded) | 2 |
| Circuits (maximum) | 2 |
| Color - Resin | Black |
| Durability (mating cycles max) | 50 |
| Flammability | 94V-0 |
| Glow-Wire Compliant | No |
| Guide to Mating Part | Yes |
| Lock to Mating Part | Yes |
| Material - Metal | Brass, Phosphor Bronze |
| Material - Plating Mating | Gold |
| Material - Plating Termination | Tin |
| Material - Resin | High Temperature Thermoplastic |
| Number of Rows | 1 |
| Orientation | Right Angle |
| PC Tail Length (in) | 0.130 In |
| PC Tail Length (mm) | 3.30 mm |
| PCB Locator | No |
| PCB Retention | None |
| PCB Thickness Recommended (in) | 0.062 In |
| PCB Thickness Recommended (mm) | 1.60 mm |
| Packaging Type | Tube |
| Pitch - Mating Interface (in) | 0.100 In |
| Pitch - Mating Interface (mm) | 2.54 mm |
| Plating min: Mating (µin) | 15 |
| Plating min: Mating (µm) | 0.375 |
| Plating min: Termination (µin) | 75 |
| Plating min: Termination (µm) | 1.875 |
| Polarized to Mating Part | Yes |
| Shrouded | Fully |
| Stackable | No |
| Temperature Range - Operating | -40°C to +105°C |

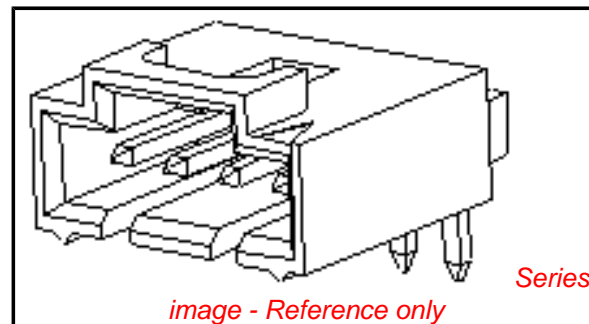


image - Reference only

EU RoHS

ELV and RoHS Compliant

REACH SVHC

Not Reviewed

Halogen-Free

Status

Not Halogen-Free

China RoHS



Need more information on product environmental compliance?

Email productcompliance@molex.com
 For a multiple part number RoHS Certificate of Compliance, [click here](#)

Please visit the [Contact Us](#) section for any non-product compliance questions.

Search Parts in this Series

[70553Series](#)

Mates With

[70066n](#) , [70066g](#) , [70430g](#) , [70400g Housing](#)

Termination Interface: Style

Through Hole

Electrical

Current - Maximum per Contact

3A

Voltage - Maximum

250V

Solder Process Data

Duration at Max. Process Temperature (seconds)

3

Lead-free Process Capability

Wave Capable (TH only)

Max. Cycles at Max. Process Temperature

1

Process Temperature max. C

260

Material Info

Reference - Drawing Numbers

Packaging Specification

PK-70873-0015

Product Specification

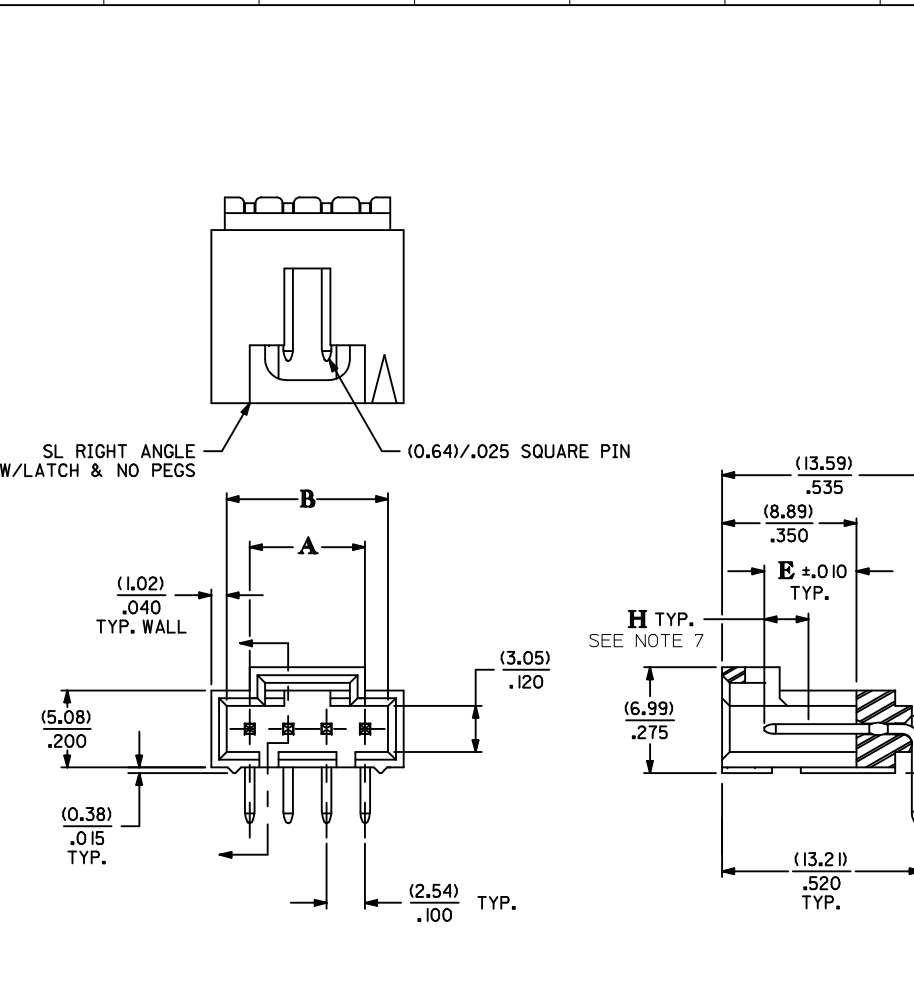
PS-70400, PS-70541

Sales Drawing

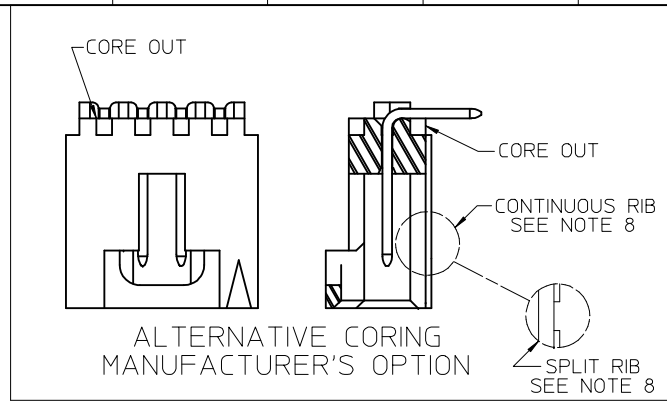
SDA-70553-****

This document was generated on 05/27/2010

PLEASE CHECK WWW.MOLEX.COM FOR LATEST PART INFORMATION



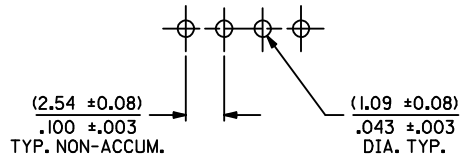
SL RIGHT ANGLE W/LATCH & NO PEGS (0.64)/.025 SQUARE PIN



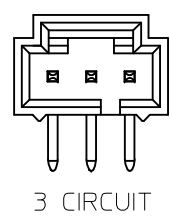
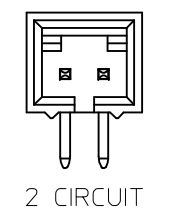
ALTERNATIVE CORING MANUFACTURER'S OPTION

| CKT. SIZE | DIM. "A" | | DIM. "B" | |
|-----------|----------|-------|----------|-------|
| | MM | IN. | MM | IN. |
| 2 | 2.54 | .100 | 5.33 | .210 |
| 3 | 5.08 | .200 | 8.13 | .320 |
| 4 | 7.62 | .300 | 10.67 | .420 |
| 5 | 10.16 | .400 | 13.21 | .520 |
| 6 | 12.70 | .500 | 15.75 | .620 |
| 7 | 15.24 | .600 | 18.29 | .720 |
| 8 | 17.78 | .700 | 20.83 | .820 |
| 9 | 20.32 | .800 | 23.37 | .920 |
| 10 | 22.86 | .900 | 25.91 | 1.020 |
| 11 | 25.40 | 1.000 | 28.45 | 1.120 |
| 12 | 27.94 | 1.100 | 30.99 | 1.220 |
| 13 | 30.48 | 1.200 | 33.53 | 1.320 |
| 14 | 33.02 | 1.300 | 36.07 | 1.420 |
| 15 | 35.56 | 1.400 | 38.61 | 1.520 |
| 16 | 38.10 | 1.500 | 41.15 | 1.620 |
| 17 | 40.64 | 1.600 | 43.69 | 1.720 |
| 18 | 43.18 | 1.700 | 46.23 | 1.820 |
| 19 | 45.72 | 1.800 | 48.77 | 1.920 |
| 20 | 48.26 | 1.900 | 51.31 | 2.020 |
| 21 | 50.80 | 2.000 | 53.85 | 2.120 |
| 22 | 53.34 | 2.100 | 56.39 | 2.220 |
| 23 | 55.88 | 2.200 | 58.93 | 2.320 |
| 24 | 58.42 | 2.300 | 61.47 | 2.420 |
| 25 | 60.96 | 2.400 | 64.01 | 2.520 |

- NOTES:
- HEADER MATERIAL: GLASS FILLED POLYESTER, UL 94V-0, COLOR: BLACK
PIN MATERIAL: PHOSPHOR BRONZE
 - FINISH:
TIN: 3.81 MICROMETERS/150 MICROINCHES MINIMUM TIN PLATE OVERALL
OVER NICKEL UNDERPLATE OVERALL
15 GOLD: 0.38 MICROMETERS/15 MICROINCHES MINIMUM GOLD PLATE IN CONTACT AREA
1.91 MICROMETERS/75 MICROINCHES MINIMUM TIN PLATE IN TAIL AREA
OVER NICKEL UNDERPLATE OVERALL
30 GOLD: 0.76 MICROMETERS/30 MICROINCHES MINIMUM GOLD PLATE IN CONTACT AREA
1.91 MICROMETERS/75 MICROINCHES MINIMUM TIN PLATE IN TAIL AREA
OVER NICKEL UNDERPLATE OVERALL
 - HEADER TO BE USED WITH OPTION "G" 70400 AND 70430 SERIES SL CONNECTORS
 - REFER TO MOLEX PRODUCT SPECIFICATION PS-70541 & PS-70400
 - STANDARD PACKAGING IN TUBES PER PK-70873-0015 OR OPTIONAL PACKAGING IN BAGS PER PK-70873-0535. OPTION PACK NOT AVAILABLE FOR ALL CKT SIZES.
 - DIMENSIONS WITHOUT TOLERANCE ARE SHOWN FOR REFERENCE ONLY.
 - MEASURE POINT FOR PLATING THICKNESS
 - ALTERNATIVE RIB, MAY BE SPLIT OR CONTINUOUS. EITHER OPTION DOES NOT IMPACT FUNCTION OF THE ASSEMBLY.



RECOMMENDED PC BOARD LAYOUT (FOR USE WITH (1.57)/.062 THICK BOARD)



| | | | | | | | | |
|---|--------------------------------------|---------------------------------------|-----------------------|--------------------------------|--------------------|---|----------------------|------------------------|
| ADD RIB NOTE 8 EC NO: UCP2010-0787 DRWINHIS BARRA 2009/09/24 CHKD:MORGAN 2009/10/02 APPR:SMILLER 2009/10/05 | QUALITY SYMBOLS ▽=0 ▽=0 ▽=0 | GENERAL TOLERANCES (UNLESS SPECIFIED) | | DIMENSION STYLE MM/IN | | SCALE 4:1 | DESIGN UNITS INCH | THIRD ANGLE PROJECTION |
| | | 4 PLACES ± --- ± --- | 3 PLACES ± --- ± .005 | DRAWN BY AAB | DATE 1993/05/13 | TITLE SALES ASSY, SL RIGHT ANGLE HDR W/LATCH (2.54)/.100 CENTERS | | |
| | | 2 PLACES ± 0.13 ± .010 | 1 PLACE ± 0.25 ± --- | CHECKED BY AAB | DATE 1993/05/13 | MOLEX INCORPORATED | | |
| | | ANGULAR ±1/2° | | APPROVED BY WAZ | DATE 1993/05/13 | MOLEX INCORPORATED | | |
| DRAFT WHERE APPLICABLE MUST REMAIN WITHIN DIMENSIONS | | MATERIAL NO. SEE TABLE | | DOCUMENT NO. SDA-70553-**** | | SHEET NO. 1 OF 3 | | |
| THIS DRAWING CONTAINS INFORMATION THAT IS PROPRIETARY TO MOLEX INCORPORATED AND SHOULD NOT BE USED WITHOUT WRITTEN PERMISSION | | | | | | | | |

| CIRCUIT SIZE | ENGINEERING NUMBER A-70553 | MANUFACTURE RELEASE STATUS | D REF. | E ± .010 | PLATING TYPE | CONNECTOR END PLATING | | P.C. BOARD END PLATING | | SEE PACK INFORMA. DRAWING PK-70873 |
|--------------|-------------------------------|----------------------------------|----------------|----------------|--------------|-----------------------|----------------|------------------------|----------------|---|
| | | | | | | TYPE | H MEAS. | TYPE | K MEAS. | |
| 2-10 | -0001-0009 | R.F.M. | (3.30) .130 | (6.10) .240 | 15 GOLD | GOLD | (2.54) .100 | TIN | (1.27) .050 | -0015 (TUBES) |
| 11-25 | -0010-0024 | R.F.M. | (3.30) .130 | (6.10) .240 | TIN | TIN | (2.54) .100 | TIN | (1.27) .050 | -0015 (TUBES) |
| 2-10 | -0036-0044 | R.F.M. | (3.30) .130 | (6.10) .240 | 30 GOLD | GOLD | (2.54) .100 | TIN | (1.27) .050 | -0015 (TUBES) |
| 11-25 | -0045-0059 | R.F.M. | (2.67) .105 | (6.10) .240 | 15 GOLD | GOLD | (2.54) .100 | TIN | (1.27) .050 | -0015 (TUBES) |
| 2-10 | -0106-0114 | R.F.M. | | | | | | | | |
| 11-25 | -0115-0129 | R.F.M. | | | | | | | | |
| 2-10 | -0141-0149 | R.F.M. | | | | | | | | |
| 11-25 | -0150-0159 | R.F.M. | | | | | | | | |
| 2-10 | | | | | | | | | | |
| 11-25 | | | | | | | | | | |

| CIRCUIT SIZE | ASSEMBLY ITEM NUMBER | ASSEMBLY ITEM NUMBER | ASSEMBLY ITEM NUMBER | ASSEMBLY ITEM NUMBER | ASSEMBLY ITEM NUMBER | ASSEMBLY ITEM NUMBER |
|--------------|----------------------|----------------------|----------------------|----------------------|----------------------|----------------------|
| 2 | 70553-0001 | 70553-0036 | 70553-0106 | 70553-0141 | | |
| 3 | 70553-0002 | 70553-0037 | 70553-0107 | 70553-0142 | | |
| 4 | 70553-0003 | 70553-0038 | 70553-0108 | 70553-0143 | | |
| 5 | 70553-0004 | 70553-0039 | 70553-0109 | 70553-0144 | | |
| 6 | 70553-0005 | 70553-0040 | 70553-0110 | 70553-0145 | | |
| 7 | 70553-0006 | 70553-0041 | 70553-0111 | 70553-0146 | | |
| 8 | 70553-0007 | 70553-0042 | 70553-0112 | 70553-0147 | | |
| 9 | 70553-0008 | 70553-0043 | 70553-0113 | 70553-0148 | | |
| 10 | 70553-0009 | 70553-0044 | 70553-0114 | 70553-0149 | | |
| 11 | 70553-0010 | 70553-0045 | 70553-0115 | 70553-0150 | | |
| 12 | 70553-0011 | 70553-0046 | 70553-0116 | 70553-0151 | | |
| 13 | 70553-0012 | 70553-0047 | 70553-0117 | 70553-0152 | | |
| 14 | 70553-0013 | 70553-0048 | 70553-0118 | 70553-0153 | | |
| 15 | 70553-0014 | 70553-0049 | 70553-0119 | 70553-0154 | | |
| 16 | 70553-0015 | 70553-0050 | 70553-0120 | 70553-0155 | | |
| 17 | 70553-0016 | 70553-0051 | 70553-0121 | 70553-0156 | | |
| 18 | 70553-0017 | 70553-0052 | 70553-0122 | 70553-0157 | | |
| 19 | 70553-0018 | 70553-0053 | 70553-0123 | 70553-0158 | | |
| 20 | 70553-0019 | 70553-0054 | 70553-0124 | 70553-0159 | | |
| 21 | 70553-0020 | 70553-0055 | 70553-0125 | 70553-0160 | | |
| 22 | 70553-0021 | 70553-0056 | 70553-0126 | 70553-0161 | | |
| 23 | 70553-0022 | 70553-0057 | 70553-0127 | 70553-0162 | | |
| 24 | 70553-0023 | 70553-0058 | 70553-0128 | 70553-0163 | | |
| 25 | 70553-0024 | 70553-0059 | 70553-0129 | 70553-0164 | | |

X IN COLUMN UNDER *ASSEMBLY ITEM NUMBER * HEADING DENOTES TOOLING NOT AVAILABLE

| UPDATE REV LEVEL EC NO: UCP2010-0787 DRWINSI BARRA 2009/09/24 CHKD:MORGAN 2009/10/02 APPR:SMILLER 2009/10/05 | QUALITY SYMBOLS | GENERAL TOLERANCES (UNLESS SPECIFIED) | | DIMENSION STYLE MM/IN | | SCALE 4:1 | DESIGN UNITS INCH | THIRD ANGLE PROJECTION | | | | | | | | | | | | | | | | | |
|---|---------------------|---|--------|--|----|--------------------|----------------------|------------------------|--------|---------|----------|--------|---------|----------|--------|---------|---------|--------|---------|---------------------------------|--|-----------------------------------|--|------------------------------------|--|
| | | <table border="1"> <tr><th></th><th>mm</th><th>INCH</th></tr> <tr><td>4 PLACES</td><td>± .005</td><td>± .0005</td></tr> <tr><td>3 PLACES</td><td>± .010</td><td>± .0010</td></tr> <tr><td>2 PLACES</td><td>± .015</td><td>± .0015</td></tr> <tr><td>1 PLACE</td><td>± .025</td><td>± .0025</td></tr> </table> | | | mm | INCH | 4 PLACES | | ± .005 | ± .0005 | 3 PLACES | ± .010 | ± .0010 | 2 PLACES | ± .015 | ± .0015 | 1 PLACE | ± .025 | ± .0025 | DRAWN BY DATE AAB 1993/05/13 | | CHECKED BY DATE AAB 1993/05/13 | | APPROVED BY DATE WAZ 1993/05/13 | |
| | | | mm | INCH | | | | | | | | | | | | | | | | | | | | | |
| | | 4 PLACES | ± .005 | ± .0005 | | | | | | | | | | | | | | | | | | | | | |
| 3 PLACES | ± .010 | ± .0010 | | | | | | | | | | | | | | | | | | | | | | | |
| 2 PLACES | ± .015 | ± .0015 | | | | | | | | | | | | | | | | | | | | | | | |
| 1 PLACE | ± .025 | ± .0025 | | | | | | | | | | | | | | | | | | | | | | | |
| ANGULAR ±1/2° | | MATERIAL NO. | | DOCUMENT NO. | | SHEET NO. | | | | | | | | | | | | | | | | | | | |
| DRAFT WHERE APPLICABLE MUST REMAIN WITHIN DIMENSIONS | | SEE TABLE | | SALES ASSY, SL RIGHT ANGLE HDR W/LATCH (2.54) .100 CENTERS | | MOLEX INCORPORATED | | | | | | | | | | | | | | | | | | | |
| | | SIZE | | THIS DRAWING CONTAINS INFORMATION THAT IS PROPRIETARY TO MOLEX INCORPORATED AND SHOULD NOT BE USED WITHOUT WRITTEN PERMISSION | | SDA-70553-**** | | 2 OF 3 | | | | | | | | | | | | | | | | | |

| 13 | | 12 | | 11 | | 10 | | 9 | | 8 | | 7 | | 6 | | 5 | | 4 | | 3 | | 2 | | 1 | |
|--------------|-------------------------------|----------------------------------|--|----------------|----------------|--------------|-----------------------|----------------|--|------------------------|----------------|---|---|---|--|---|--|---|--|---|--|---|--|---|--|
| CIRCUIT SIZE | ENGINEERING NUMBER A-70553 | MANUFACTURE RELEASE STATUS | | D | E | PLATING TYPE | CONNECTOR END PLATING | | | P.C. BOARD END PLATING | | | SEE PACK INFORMA. DRAWING PK-70873 | | | | | | | | | | | | |
| | | | | | | | TYPE | H MEAS. | | TYPE | K MEAS. | | | | | | | | | | | | | | |
| 2-10 | -5001-5009 | | | (3.30) .130 | (6.10) .240 | 15 GOLD | GOLD | (2.54) .100 | | TIN | (1.27) .050 | | -0535 (BAGS) | | | | | | | | | | | | |
| 2-10 | -5036-5044 | R.F.M. | | (3.30) .130 | (6.10) .240 | TIN | TIN | (2.54) .100 | | TIN | (1.27) .050 | | -0535 (BAGS) | | | | | | | | | | | | |
| 2-10 | -6001-6009 | R.F.M. | | (3.30) .130 | (6.10) .240 | 15 GOLD | GOLD | (2.54) .100 | | TIN | (1.27) .050 | | -0015 (TUBES) | | | | | | | | | | | | |
| 2-10 | | | | | | | | | | | | | | | | | | | | | | | | | |

| CIRCUIT SIZE | ASSEMBLY ITEM NUMBER | | ASSEMBLY ITEM NUMBER | | ASSEMBLY ITEM NUMBER | | ASSEMBLY ITEM NUMBER | | ASSEMBLY ITEM NUMBER | | ASSEMBLY ITEM NUMBER | |
|--------------|----------------------|------------|----------------------|------------|----------------------|------------|----------------------|--|----------------------|--|----------------------|--|
| 2 | X | 70553-5001 | | 70553-5036 | | | | | | | | |
| 3 | X | 70553-5002 | X | 70553-5037 | | 70553-6002 | | | | | | |
| 4 | X | 70553-5003 | | 70553-5038 | | | | | | | | |
| 5 | X | 70553-5004 | X | 70553-5039 | | | | | | | | |
| 6 | X | 70553-5005 | X | 70553-5040 | | | | | | | | |
| 7 | X | 70553-5006 | X | 70553-5041 | | | | | | | | |
| 8 | X | 70553-5007 | X | 70553-5042 | | | | | | | | |
| 9 | X | 70553-5008 | X | 70553-5043 | | | | | | | | |
| 10 | X | 70553-5009 | X | 70553-5044 | | | | | | | | |
| | | | | | | | | | | | | |
| | | | | | | | | | | | | |
| | | | | | | | | | | | | |
| | | | | | | | | | | | | |
| | | | | | | | | | | | | |
| | | | | | | | | | | | | |
| | | | | | | | | | | | | |
| | | | | | | | | | | | | |
| | | | | | | | | | | | | |
| | | | | | | | | | | | | |
| | | | | | | | | | | | | |
| | | | | | | | | | | | | |
| | | | | | | | | | | | | |

"X" IN COLUMN UNDER "ASSEMBLY ITEM NUMBER " HEADING DENOTES TOOLING NOT AVAILABLE

| | | | | | | | |
|---|----------------------|---------------------------------------|------------------|----------------|---|------------------------|--|
| UPDATE REV LEVEL EC NO: UCP2010-0787 DRWN:SI BARRA 2009/09/24 CHKD:J MORGAN 2009/10/02 APPR:SMILLER 2009/10/05 | QUALITY SYMBOLS | GENERAL TOLERANCES (UNLESS SPECIFIED) | DIMENSION STYLE | SCALE | DESIGN UNITS | THIRD ANGLE PROJECTION | |
| | ▽=0 | mm INCH | MM/IN | 4:1 | INCH | | |
| | ▽=0 | 4 PLACES ± --- ± --- | DRAWN BY DATE | AAB 1993/05/13 | TITLE | | SALES ASSY, SL RIGHT ANGLE HDR W/LATCH (2.54)/.100 CENTERS |
| | ▽=0 | 3 PLACES ± --- ± .005 | CHECKED BY DATE | AAB 1993/05/13 | MOLEX INCORPORATED | | |
| | ▽=0 | 2 PLACES ± 0.13 ± .010 | APPROVED BY DATE | WAZ 1993/05/13 | MATERIAL NO. | | DOCUMENT NO. |
| | 1 PLACE ± 0.25 ± --- | ANGULAR ± 1/2° | | SEE TABLE | | SHEET NO. | |
| DRAFT WHERE APPLICABLE MUST REMAIN WITHIN DIMENSIONS | | | SIZE | | THIS DRAWING CONTAINS INFORMATION THAT IS PROPRIETARY TO MOLEX INCORPORATED AND SHOULD NOT BE USED WITHOUT WRITTEN PERMISSION | | |