

---

## Features

- EE Programmable 524,288 x 1- and 1,048,576 x 1-bit Serial Memories Designed to Store Configuration Programs for Field Programmable Gate Arrays (FPGAs)
- In-System Programmable via 2-wire Bus
- Simple Interface to SRAM FPGAs
- Compatible with Atmel AT6000, AT40K and AT94K Devices, Altera FLEX<sup>®</sup>, APEX<sup>™</sup> Devices, Lucent ORCA<sup>®</sup> FPGAs, Xilinx XC3000<sup>™</sup>, XC4000<sup>™</sup>, XC5200<sup>™</sup>, Spartan<sup>®</sup>, Virtex<sup>™</sup> FPGAs
- Cascadable Read Back to Support Additional Configurations or Higher-density Arrays
- Low-power CMOS EEPROM Process
- Programmable Reset Polarity
- Available in 6 mm x 6 mm x 1 mm 8-lead LAP (Pin-compatible with 8-lead SOIC/VOIC Packages), 8-lead PDIP and 20-lead PLCC Packages (Pin Compatible Across Product Family)
- Emulation of Atmel's AT24CXXX Serial EEPROMs
- Available in 3.3V ± 10% LV and 5V ± 5% C Versions
- System-friendly READY Pin
- Low-power Standby Mode

## Description

The AT17C512/010 and AT17LV512/010 (high-density AT17 Series) FPGA Configuration EEPROMs (Configurators) provide an easy-to-use, cost-effective configuration memory for programming Field Programmable Gate Arrays. The AT17 Series is packaged in the 8-lead LAP, 8-lead PDIP and the popular 20-lead PLCC. The AT17 Series uses a simple serial-access procedure to configure one or more FPGA devices. The user can select the polarity of the reset function by programming four EEPROM bytes. These devices support a write protection mode and a system-friendly READY pin, which signifies a "good" power level to the FPGA and can be used to ensure reliable system power-up.

The AT17 Series Configurators can be programmed with industry-standard programmers, Atmel's ATDH2200E Programming Kit or Atmel's ATDH2225 ISP Cable.



---

## FPGA Configuration EEPROM Memory

512-kilobit and

1-megabit

---

**AT17C512**

**AT17LV512**

**AT17C010**

**AT17LV010**









## Pin Description

8 PDIP/ LAP Pin	20 PLCC Pin	Name	I/O	Description
1	2	DATA	I/O	Three-state DATA output for configuration. Open-collector bi-directional pin for programming.
2	4	CLK	I	Clock input. Used to increment the internal address and bit counter for reading and programming.
	5	WP1 <sup>(1)</sup>	I	WRITE PROTECT (1). Used to protect portions of memory during programming. Disabled by default due to internal pull-down resistor. This input pin is not used during FPGA loading operations.
3	6	$\overline{\text{RESET/OE}}$	I	Output Enable (active High) and RESET (active Low) when $\overline{\text{SER\_EN}}$ is High. A Low level on $\overline{\text{RESET/OE}}$ resets both the address and bit counters. A High level (with $\overline{\text{CE}}$ Low) enables the data output driver. The logic polarity of this input is programmable as either $\overline{\text{RESET/OE}}$ or $\overline{\text{RESET/OE}}$ . For most applications, RESET should be programmed active Low. This document describes the pin as $\overline{\text{RESET/OE}}$ .
	7	WP2 <sup>(1)</sup>	I	WRITE PROTECT (2). Used to protect portions of memory during programming. Disabled by default due to internal pull-down resistor. This input pin is not used during FPGA loading operations.
4	8	$\overline{\text{CE}}$	I	Chip Enable input (active Low). A Low level (with OE High) allows DCLK to increment the address counter and enables the data output driver. A High level on $\overline{\text{CE}}$ disables both the address and bit counters and forces the device into a low-power standby mode. Note that this pin will <i>not</i> enable/disable the device in the 2-wire Serial Programming mode ( $\overline{\text{SER\_EN}}$ Low).
5	10	GND		Ground pin. A 0.2 $\mu\text{F}$ decoupling capacitor between $V_{\text{CC}}$ and GND is recommended.
6	14	$\overline{\text{CEO}}$	O	Chip Enable Output (active Low). This output goes Low when the address counter has reached its maximum value. In a daisy chain of AT17 Series devices, the $\overline{\text{CEO}}$ pin of one device must be connected to the $\overline{\text{CE}}$ input of the next device in the chain. It will stay Low as long as $\overline{\text{CE}}$ is low and OE is High. It will then follow CE until OE goes Low; thereafter, $\overline{\text{CEO}}$ will stay High until the entire EEPROM is read again.
		A2	I	Device selection input, A2. This is used to enable (or select) the device during programming (i.e., when $\overline{\text{SER\_EN}}$ is Low). A2 has an internal pulldown resistor.
	15	READY <sup>(1)</sup>	O	Open collector reset state indicator. Driven Low during power-up reset, released (tri-stated) when power-up is complete. (Recommend a 4.7 k $\Omega$ pull-up on this pin if used).
7	17	$\overline{\text{SER\_EN}}$	I	Serial enable must be held High during FPGA loading operations. Bringing $\overline{\text{SER\_EN}}$ Low enables the 2-wire Serial Programming Mode. For non-ISP applications, $\overline{\text{SER\_EN}}$ should be tied to $V_{\text{CC}}$ .
8	20	$V_{\text{CC}}$		+3.3V/+5V power supply pin.

Note: 1. This pin is not available on the 8-lead packages.

## FPGA Master Serial Mode Summary

The I/O and logic functions of any SRAM-based FPGA are established by a configuration program. The program is loaded either automatically upon power-up, or on command, depending on the state of the FPGA mode pins. In Master Mode, the FPGA automatically loads the configuration program from an external memory. The AT17 Serial Configuration EEPROM has been designed for compatibility with the Master Serial Mode.

This document discusses the AT40K, AT40KAL and AT94KAL applications, as well as Xilinx applications.

## Control of Configuration

Most connections between the FPGA device and the AT17 Serial EEPROM are simple and self-explanatory:

- The DATA output of the AT17 Series Configurator drives DIN of the FPGA devices.
- The master FPGA CCLK output drives the CLK input of the AT17 Series Configurator.
- The  $\overline{\text{CEO}}$  output of any AT17 Series Configurator drives the  $\overline{\text{CE}}$  input of the next Configurator in a cascade chain of EEPROMs.
- $\overline{\text{SER\_EN}}$  must be connected to  $V_{\text{CC}}$  (except during ISP).
- The READY pin is available as an open-collector indicator of the device's reset status; it is driven Low while the device is in its power-on reset cycle and released (tri-stated) when the cycle is complete.

## Cascading Serial Configuration EEPROMs

For multiple FPGAs configured as a daisy-chain, or for FPGAs requiring larger configuration memories, cascaded Configurators provide additional memory.

As the last bit from the first Configurator is read, the clock signal to the Configurator asserts its  $\overline{\text{CEO}}$  output Low and disables its DATA line driver. The second Configurator recognizes the Low level on its  $\overline{\text{CE}}$  input and enables its DATA output.

After configuration is complete, the address counters of all cascaded Configurators are reset if the  $\overline{\text{RESET/OE}}$  on each Configurator is driven to its active (Low) level.

If the address counters are not to be reset upon completion, then the  $\overline{\text{RESET/OE}}$  input can be tied to its inactive (High) level.

## AT17 Series Reset Polarity

The AT17 Series Configurator allows the user to program the reset polarity as either  $\text{RESET}/\overline{\text{OE}}$  or  $\overline{\text{RESET}}/\text{OE}$ . This feature is supported by industry-standard programmer algorithms.

## Programming Mode

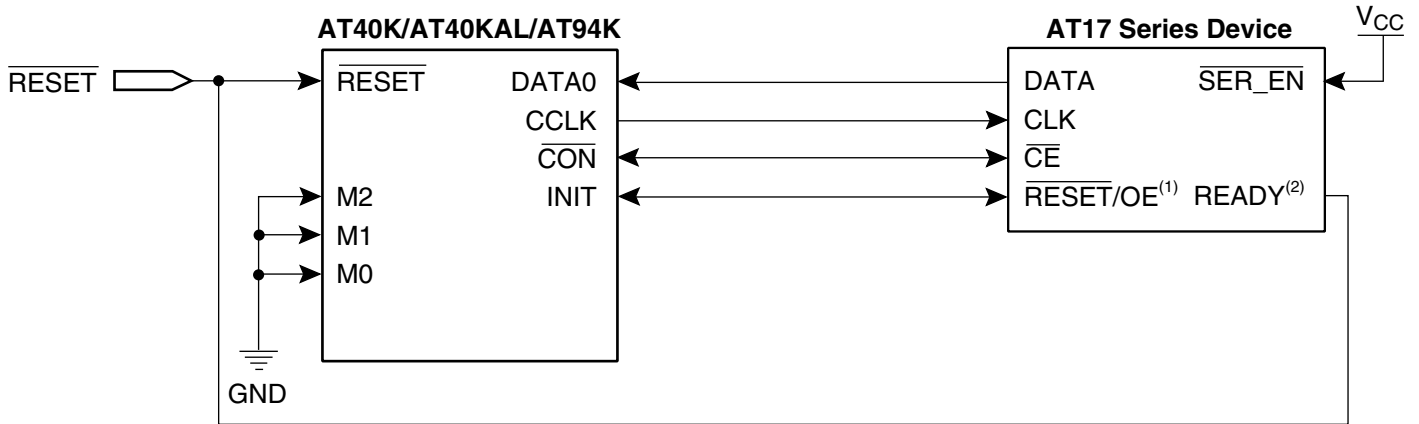
The programming mode is entered by bringing  $\overline{\text{SER\_EN}}$  Low. In this mode the chip can be programmed by the 2-wire serial bus. The programming is done at  $V_{\text{CC}}$  supply only. Programming super voltages are generated inside the chip. The AT17C parts are read/write at 5V nominal. The AT17LV parts are read/write at 3.3V nominal.

## Standby Mode

The AT17C/LV512/010 Series Configurator enters a low-power standby mode whenever  $\overline{\text{CE}}$  is asserted High. In this mode, the Configurator consumes less than 0.5 mA of current at 5V. The output remains in a high-impedance state regardless of the state of the  $\overline{\text{OE}}$  input.

## Example Circuits

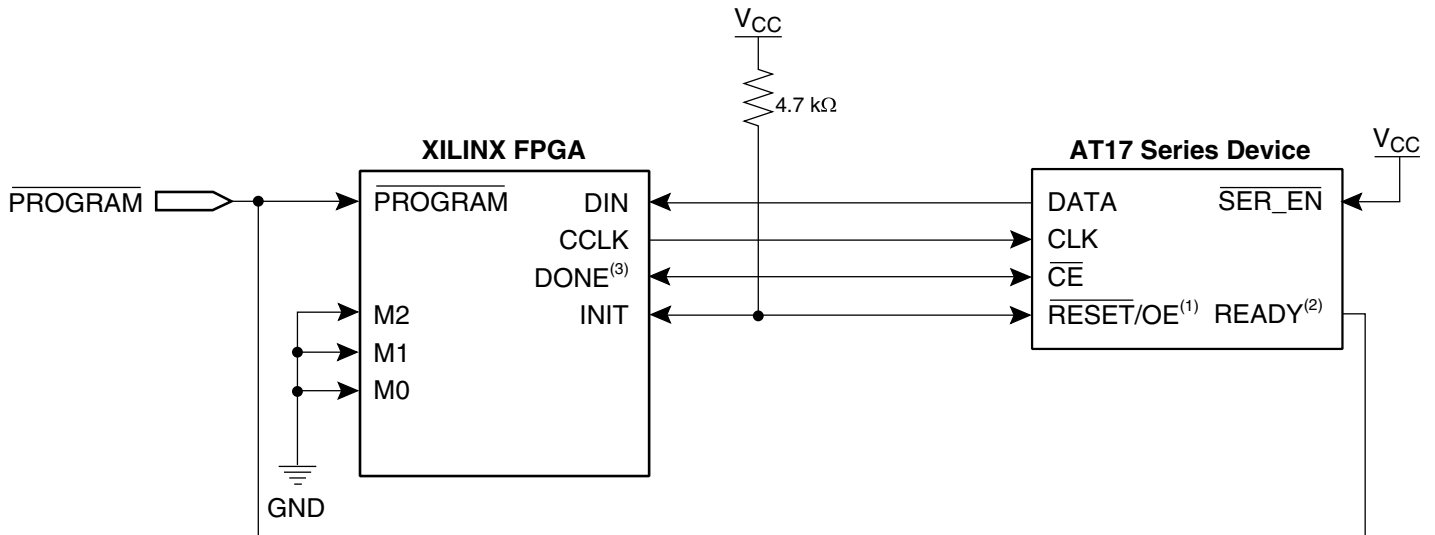
**Figure 1.** AT17 Series Device for Programming PSLI Devices



- Notes:
1. Reset polarity must be set to active Low.
  2. Use of the optional READY pin is not available on the AT17C/LV65/128/256 devices.

The FPGA  $\overline{\text{CON/DONE}}$  output drives the  $\overline{\text{CE}}$  input of the AT17 Series Configurator, while the  $\overline{\text{RESET/OE}}$  input is driven by the FPGA  $\overline{\text{INIT}}$  pin. This connection works under all normal circumstances, even when the user aborts the configuration before  $\overline{\text{CON/DONE}}$  has gone High. A Low level on the  $\overline{\text{RESET/OE}}$  input, during FPGA reset, clears the configurator's internal address pointer so that the reconfiguration starts at the beginning.

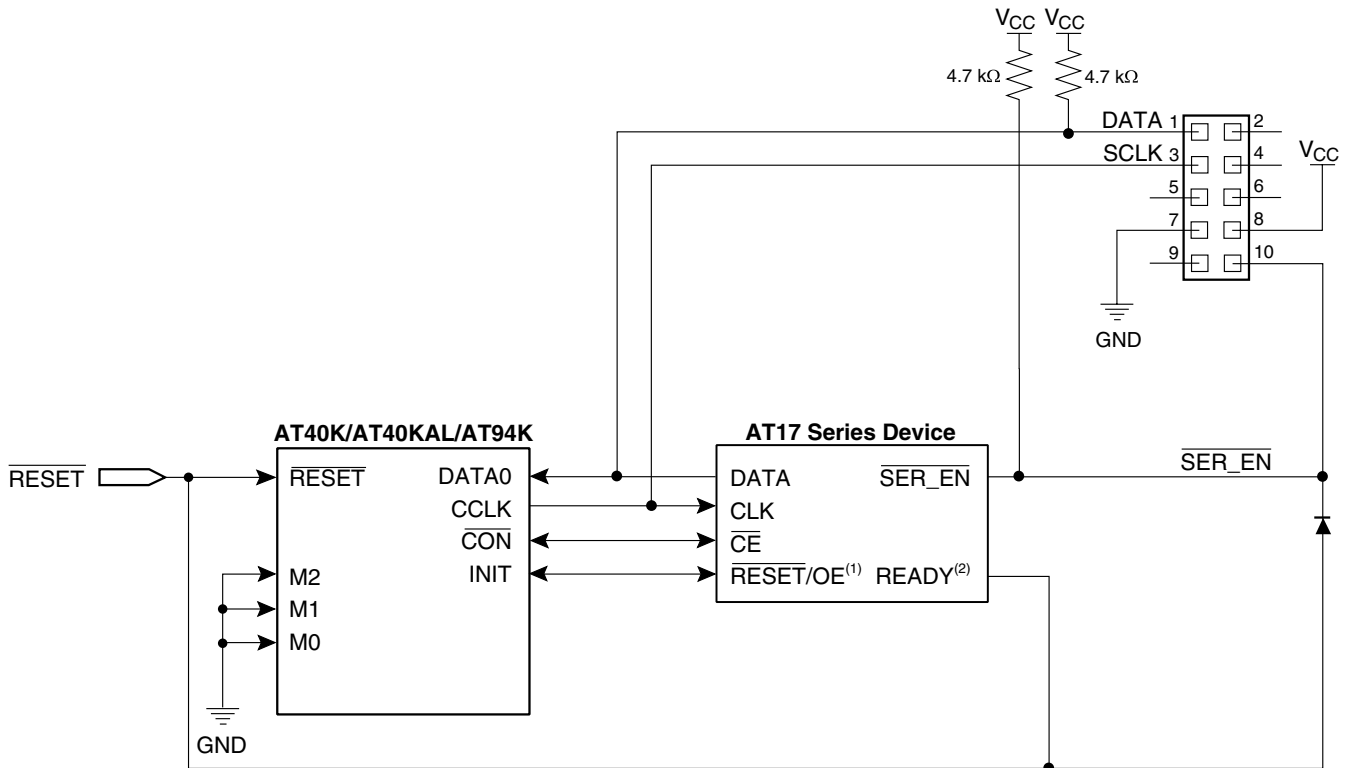
**Figure 2.** Drop-In Replacement of XC17/ATT17 PROMs for Xilinx/Lucent FPGA Applications



- Notes:
1. Reset polarity must be set to active Low.
  2. Use of the optional READY pin is not available on the AT17C/LV65/128/256 devices.
  3. An internal pull-up resistor is enabled here for DONE.

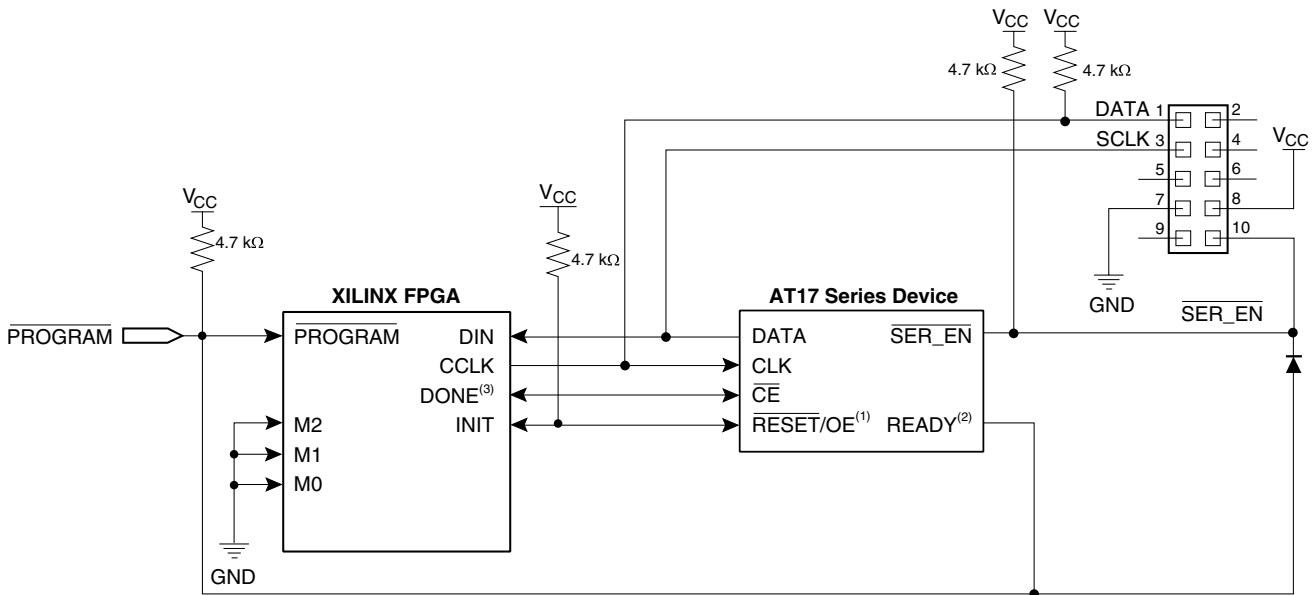
For details of ISP, please refer to the “Programming Specification for Atmel's AT17 and AT17A Series FPGA Configuration EEPROMs”, available on the Atmel web site, at <http://www.atmel.com/atmel/acrobat/doc0437.pdf>.

**Figure 3.** In-System Programming of AT17 Series for PSLI Applications



- Notes:
1. Reset polarity must be set to active Low.
  2. Use of the optional READY pin is not available on the AT17C/LV65/128/256 devices.

**Figure 4.** In-System Programming of AT17 Series for Xilinx/Lucent FPGA Applications



- Notes:
1. Reset polarity must be set to active Low.
  2. Use of the optional READY pin is not available on the AT17C/LV65/128/256 devices.
  3. An internal pull-up resistor is enabled here for DONE.



## Absolute Maximum Ratings\*

Operating Temperature .....	-55°C to +125°C
Storage Temperature .....	-65°C to +150°C
Voltage on Any Pin with Respect to Ground .....	-0.1V to $V_{CC} + 0.5V$
Supply Voltage ( $V_{CC}$ ) .....	-0.5V to +7.0V
Maximum Soldering Temp. (10 sec. @ 1/16 in.).....	260°C
ESD ( $R_{ZAP} = 1.5K, C_{ZAP} = 100 \text{ pF}$ ).....	2000V

\*NOTICE: Stresses beyond those listed under Absolute Maximum Ratings may cause permanent damage to the device. This is a stress rating only and functional operation of the device at these or any other conditions beyond those listed under operating conditions is not implied. Exposure to Absolute Maximum Rating conditions for extended periods of time may affect device reliability.

## Operating Conditions

Symbol	Description		AT17CXXX		AT17LVXXX		Units
			Min	Max	Min	Max	
$V_{CC}$	Commercial	Supply voltage relative to GND -0°C to +70°C	4.75	5.25	3.0	3.6	V
	Industrial	Supply voltage relative to GND -40°C to +85°C	4.5	5.5	3.0	3.6	V
	Military	Supply voltage relative to GND -55°C to +125°C	4.5	5.5	3.0	3.6	V



## DC Characteristics

$V_{CC} = 5V \pm 5\%$  Commercial/ $5V \pm 10\%$  Industrial/Military

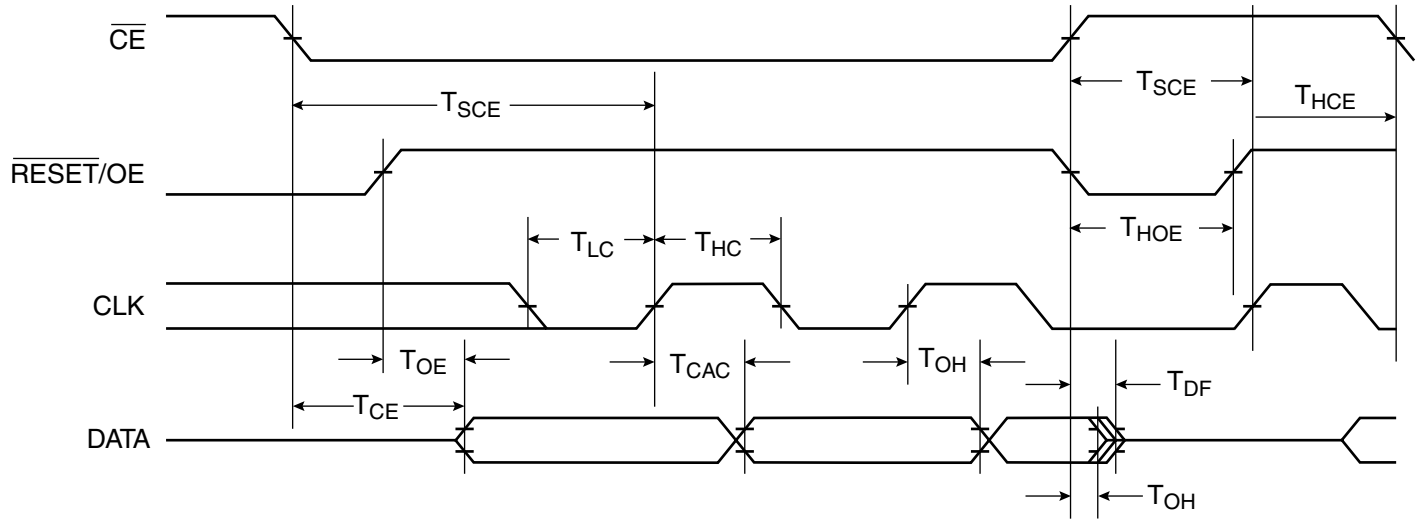
Symbol	Description		Min	Max	Units
$V_{IH}$	High-level Input Voltage		2.0	$V_{CC}$	V
$V_{IL}$	Low-level Input Voltage		0.0	0.8	V
$V_{OH}$	High-level Output Voltage ( $I_{OH} = -4$ mA)	Commercial	3.86		V
$V_{OL}$	Low-level Output Voltage ( $I_{OL} = +4$ mA)			0.32	V
$V_{OH}$	High-level Output Voltage ( $I_{OH} = -4$ mA)	Industrial	3.76		V
$V_{OL}$	Low-level Output Voltage ( $I_{OL} = +4$ mA)			0.37	V
$V_{OH}$	High-level Output Voltage ( $I_{OH} = -4$ mA)	Military	3.7		V
$V_{OL}$	Low-level Output Voltage ( $I_{OL} = +4$ mA)			0.4	V
$I_{CCA}$	Supply Current, Active Mode			10	mA
$I_L$	Input or Output Leakage Current ( $V_{IN} = V_{CC}$ or GND)		-10	10	$\mu$ A
$I_{CCS}$	Supply Current, Standby Mode	Commercial		0.5	mA
		Industrial/Military		0.5	mA

## DC Characteristics

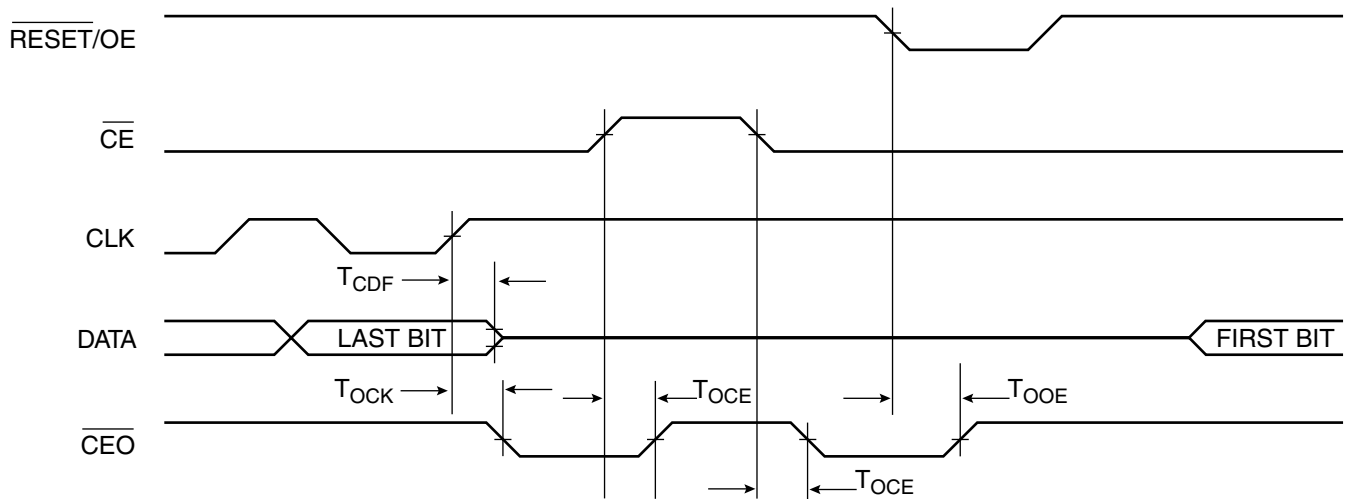
$V_{CC} = 3.3V \pm 10\%$

Symbol	Description		Min	Max	Units
$V_{IH}$	High-level Input Voltage		2.0	$V_{CC}$	V
$V_{IL}$	Low-level Input Voltage		0.0	0.8	V
$V_{OH}$	High-level Output Voltage ( $I_{OH} = -2.5$ mA)	Commercial	2.4		V
$V_{OL}$	Low-level Output Voltage ( $I_{OL} = +3$ mA)			0.4	V
$V_{OH}$	High-level Output Voltage ( $I_{OH} = -2$ mA)	Industrial	2.4		V
$V_{OL}$	Low-level Output Voltage ( $I_{OL} = +3$ mA)			0.4	V
$V_{OH}$	High-level Output Voltage ( $I_{OH} = -2$ mA)	Military	2.4		V
$V_{OL}$	Low-level Output Voltage ( $I_{OL} = +2.5$ mA)			0.4	V
$I_{CCA}$	Supply Current, Active Mode			5	mA
$I_L$	Input or Output Leakage Current ( $V_{IN} = V_{CC}$ or GND)		-10	10	$\mu$ A
$I_{CCS}$	Supply Current, Standby Mode	Commercial		100	$\mu$ A
		Industrial/Military		100	$\mu$ A

## AC Characteristics



## AC Characteristics when Cascading



## AC Characteristics for AT17C512/010

$V_{CC} = 5V \pm 5\%$  Commercial/ $V_{CC} = 5V \pm 10\%$  Industrial/Military

Symbol	Description	Commercial		Industrial/Military <sup>(1)</sup>		Units
		Min	Max	Min	Max	
$T_{OE}^{(2)}$	OE to Data Delay		30		35	ns
$T_{CE}^{(2)}$	$\overline{CE}$ to Data Delay		45		45	ns
$T_{CAC}^{(2)}$	CLK to Data Delay		50		50	ns
$T_{OH}$	Data Hold From $\overline{CE}$ , OE, or CLK	0		0		ns
$T_{DF}^{(3)}$	$\overline{CE}$ or OE to Data Float Delay		50		50	ns
$T_{LC}$	CLK Low Time	20		20		ns
$T_{HC}$	CLK High Time	20		20		ns
$T_{SCE}$	$\overline{CE}$ Setup Time to CLK (to guarantee proper counting)	20		25		ns
$T_{HCE}$	$\overline{CE}$ Hold Time from CLK (to guarantee proper counting)	0		0		ns
$T_{HOE}$	OE High Time (guarantees counter ls reset)	20		20		ns
$F_{MAX}$	MAX Input Clock Frequency	15		15		MHz

- Notes:
1. Preliminary specifications for military operating range only.
  2. AC test load = 50 pF.
  3. Float delays are measured with 5 pF AC loads. Transition is measured  $\pm 200$  mV from steady state active levels.

## AC Characteristics for AT17C512/010 when Cascading

$V_{CC} = 5V \pm 5\%$  Commercial/ $V_{CC} = 5V \pm 10\%$  Industrial/Military

Symbol	Description	Commercial		Industrial/Military <sup>(1)</sup>		Units
		Min	Max	Min	Max	
$T_{CDF}^{(3)}$	CLK to Data Float Delay		50		50	ns
$T_{OCK}^{(2)}$	CLK to $\overline{CEO}$ Delay		35		40	ns
$T_{OCE}^{(2)}$	$\overline{CE}$ to $\overline{CEO}$ Delay		35		35	ns
$T_{OOE}^{(2)}$	$\overline{RESET/OE}$ to $\overline{CEO}$ Delay		30		30	ns
$F_{MAX}$	MAX Input Clock Frequency	12.5		12.5		MHz

- Notes:
1. Preliminary specifications for military operating range only.
  2. AC test load = 50 pF.
  3. Float delays are measured with 5 pF AC loads. Transition is measured  $\pm 200$  mV from steady state active levels.



## AC Characteristics for AT17LV512/010

$V_{CC} = 3.3V \pm 10\%$

Symbol	Description	Commercial		Industrial/Military <sup>(1)</sup>		Units
		Min	Max	Min	Max	
$T_{OE}^{(2)}$	OE to Data Delay		50		55	ns
$T_{CE}^{(2)}$	$\overline{CE}$ to Data Delay		55		60	ns
$T_{CAC}^{(2)}$	CLK to Data Delay		55		60	ns
$T_{OH}$	Data Hold From $\overline{CE}$ , OE, or CLK	0		0		ns
$T_{DF}^{(3)}$	$\overline{CE}$ or OE to Data Float Delay		50		50	ns
$T_{LC}$	CLK Low Time	25		25		ns
$T_{HC}$	CLK High Time	25		25		ns
$T_{SCE}$	$\overline{CE}$ Setup Time to CLK (to guarantee proper counting)	30		35		ns
$T_{HCE}$	$\overline{CE}$ Hold Time from CLK (to guarantee proper counting)	0		0		ns
$T_{HOE}$	OE High Time (guarantees counter is reset)	25		25		ns
$F_{MAX}$	MAX Input Clock Frequency	15		10		MHz

- Notes:
1. Preliminary specifications for military operating range only.
  2. AC test load = 50 pF.
  3. Float delays are measured with 5 pF AC loads. Transition is measured  $\pm 200$  mV from steady state active levels.

## AC Characteristics for AT17LV512/010 when Cascading

$V_{CC} = 3.3V \pm 10\%$

Symbol	Description	Commercial		Industrial/Military <sup>(1)</sup>		Units
		Min	Max	Min	Max	
$T_{CDF}^{(3)}$	CLK to Data Float Delay		50		50	ns
$T_{OCK}^{(2)}$	CLK to $\overline{CEO}$ Delay		50		55	ns
$T_{OCE}^{(2)}$	$\overline{CE}$ to $\overline{CEO}$ Delay		35		40	ns
$T_{OOE}^{(2)}$	$\overline{RESET/OE}$ to $\overline{CEO}$ Delay		35		35	ns
$F_{MAX}$	MAX Input Clock Frequency	12.5		10		MHz

- Notes:
1. Preliminary specifications for military operating range only.
  2. AC test load = 50 pF.
  3. Float delays are measured with 5 pF AC loads. Transition is measured  $\pm 200$  mV from steady state active levels.

**Thermal Resistance Coefficients<sup>(1)</sup>**

Package Type		$\theta_{JC}$ [°C/W]	$\theta_{JA}$ [°C/W] Airflow = 0 ft/min
Leadless Array Package (LAP)	8CN4	45	135.71
Plastic Dual Inline Package (PDIP)	8P3	37	107
Plastic Leaded Chip Carrier (PLCC)	20J	35	90

Note: 1. For more information refer to the “Thermal Characteristics of Atmel’s Packages”, available on the Atmel web site, at <http://www.atmel.com/atmel/acrobat/doc0636.pdf>.



## Ordering Information – 5V Devices

Memory Size	Ordering Code	Package	Operation Range
512-Kbit	AT17C512-10CC AT17C512-10PC AT17C512-10JC	8CN4 8P3 20J	Commercial (0°C to 70°C)
	AT17C512-10CI AT17C512-10PI AT17C512-10JI	8CN4 8P3 20J	Industrial (-40°C to 85°C)
1-Mbit	AT17C010-10CC AT17C010-10PC AT17C010-10JC	8CN4 8P3 20J	Commercial (0°C to 70°C)
	AT17C010-10CI AT17C010-10PI AT17C010-10JI	8CN4 8P3 20J	Industrial (-40°C to 85°C)

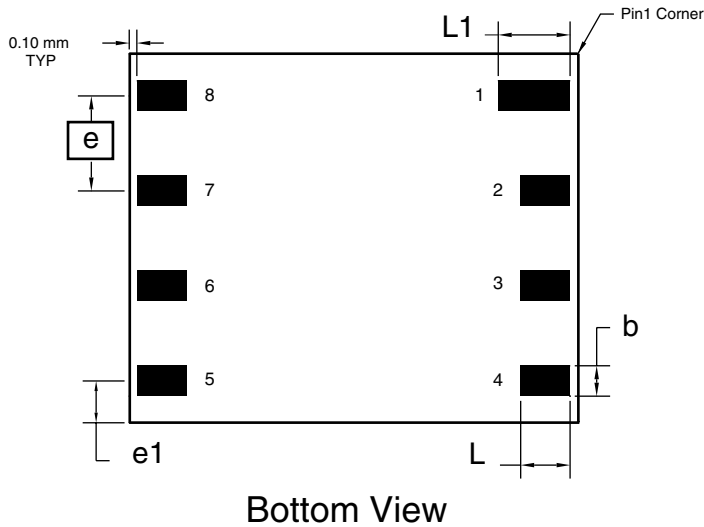
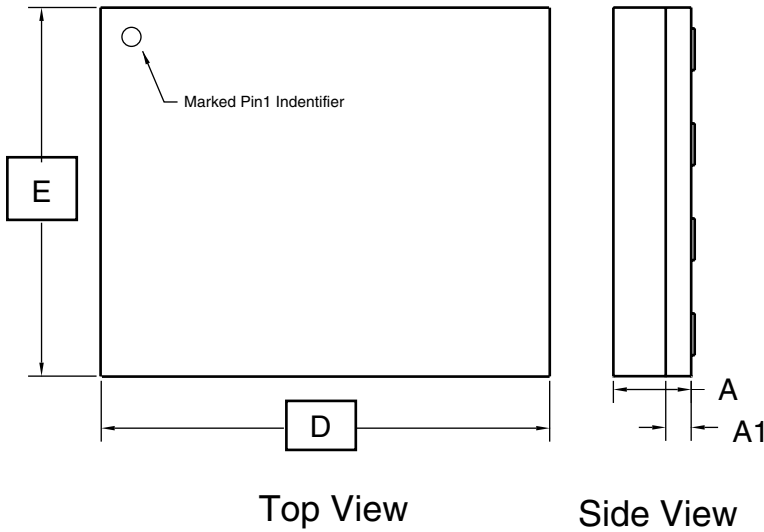
## Ordering Information – 3.3V Devices

Memory Size	Ordering Code	Package	Operation Range
512-Kbit	AT17LV512-10CC AT17LV512-10PC AT17LV512-10JC	8CN4 8P3 20J	Commercial (0°C to 70°C)
	AT17LV512-10CI AT17LV512-10PI AT17LV512-10JI	8CN4 8P3 20J	Industrial (-40°C to 85°C)
1-Mbit	AT17LV010-10CC AT17LV010-10PC AT17LV010-10JC	8CN4 8P3 20J	Commercial (0°C to 70°C)
	AT17LV010-10CI AT17LV010-10PI AT17LV010-10JI	8CN4 8P3 20J	Industrial (-40°C to 85°C)

Package Type	
<b>8CN4</b>	8-lead, 6 mm x 6 mm x 1 mm, Leadless Array Package (LAP) – Pin-compatible with 8-lead SOIC/VOID Packages
<b>8P3</b>	8-lead, 0.300" Wide, Plastic Dual Inline Package (PDIP)
<b>20J</b>	20-lead, Plastic J-leaded Chip Carrier (PLCC)

Packaging Information

8CN4 – LAP



COMMON DIMENSIONS  
(Unit of Measure = mm)

SYMBOL	MIN	NOM	MAX	NOTE
A	0.94	1.04	1.14	
A1	0.30	0.34	0.38	
b	0.45	0.50	0.55	1
D	5.89	5.99	6.09	
E	4.89	5.99	6.09	
e	1.27 BSC			
e1	1.10 REF			
L	0.95	1.00	1.05	1
L1	1.25	1.30	1.35	1

Note: 1. Metal Pad Dimensions.

11/14/01

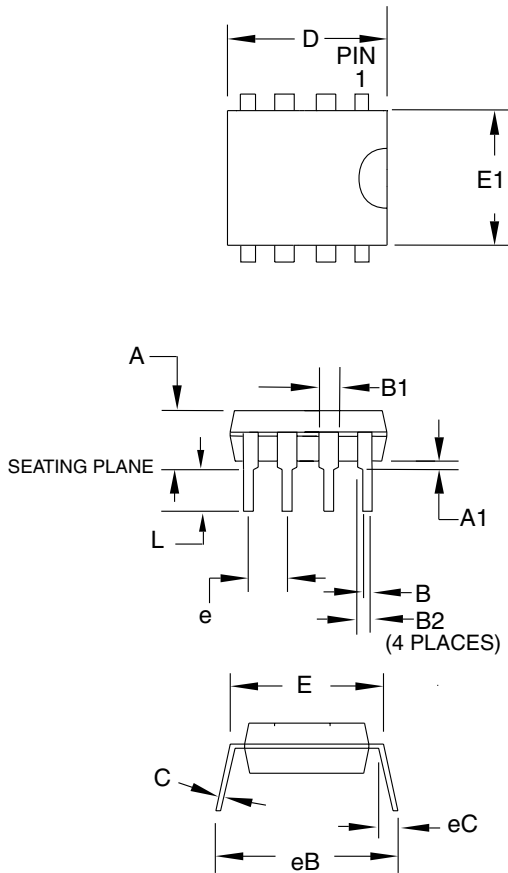
**ATMEL** 1150 E.Cheyenne Mtn Blvd.  
Colorado Springs, CO 80906

**TITLE**  
8CN4, 8-lead (6 x 6 x 1.04 mm Body), Lead Pitch 1.27 mm,  
Leadless Array Package (LAP)

**DRAWING NO.**  
8CN4

**REV.**  
A

### 8P3 – PDIP



**COMMON DIMENSIONS**  
(Unit of Measure = mm)

SYMBOL	MIN	NOM	MAX	NOTE
A	–	–	4.318	
A1	0.381	–	–	
D	9.144	–	9.652	Note 2
E	7.620	–	8.255	
E1	6.096	–	6.604	Note 2
B	0.406	–	0.508	
B1	1.397	–	1.651	
B2	0.762	–	1.143	
L	3.175	–	3.429	
C	0.203	–	0.356	
eB	–	–	10.922	
eC	0.000	–	1.524	
e	2.540 TYP			

- Notes:
1. This package conforms to JEDEC reference MS-001 BA.
  2. Dimensions D and E1 do not include mold Flash or Protrusion. Mold Flash or Protrusion shall not exceed 0.25 mm (0.010").

09/28/01



2325 Orchard Parkway  
San Jose, CA 95131

**TITLE**

**8P3, 8-lead (0.300"/7.62 mm Wide) Plastic Dual  
Inline Package (PDIP)**

**DRAWING NO.**

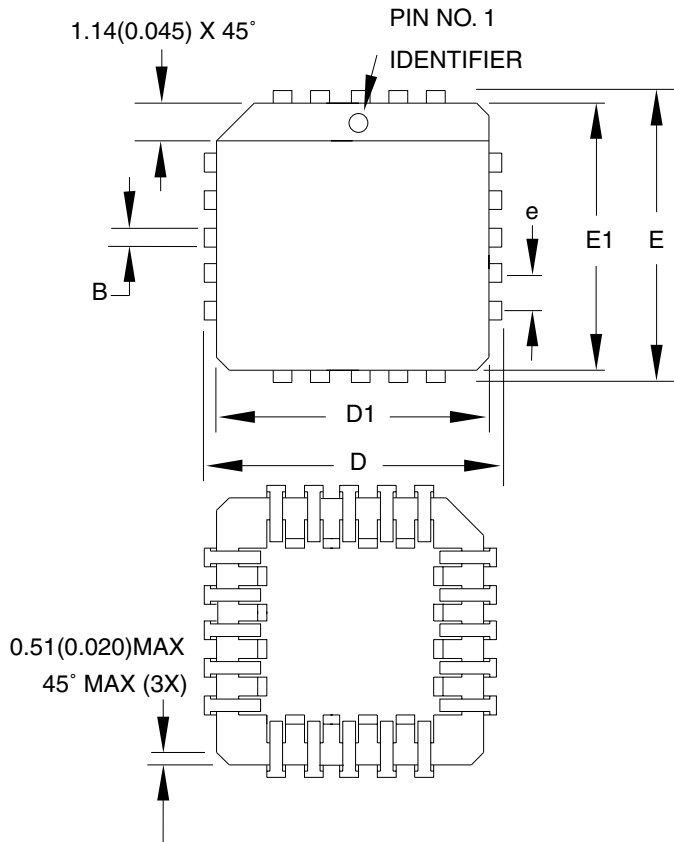
8P3

**REV.**

B



20J – PLCC



**COMMON DIMENSIONS**  
(Unit of Measure = mm)

SYMBOL	MIN	NOM	MAX	NOTE
A	4.191	–	4.572	
A1	2.286	–	3.048	
A2	0.508	–	–	
D	9.779	–	10.033	
D1	8.890	–	9.042	Note 2
E	9.779	–	10.033	
E1	8.890	–	9.042	Note 2
D2/E2	7.366	–	8.382	
B	0.660	–	0.813	
B1	0.330	–	0.533	
e	1.270 TYP			

- Notes:
1. This package conforms to JEDEC reference MS-018, Variation AA.
  2. Dimensions D1 and E1 do not include mold protrusion. Allowable protrusion is .010"(0.254 mm) per side. Dimension D1 and E1 include mold mismatch and are measured at the extreme material condition at the upper or lower parting line.
  3. Lead coplanarity is 0.004" (0.102 mm) maximum.

10/04/01



2325 Orchard Parkway  
San Jose, CA 95131

**TITLE**

20J, 20-lead, Plastic J-leaded Chip Carrier (PLCC)

**DRAWING NO.**

20J

**REV.**

B





## Atmel Headquarters

**Corporate Headquarters**  
2325 Orchard Parkway  
San Jose, CA 95131  
TEL 1(408) 441-0311  
FAX 1(408) 487-2600

### Europe

Atmel SarL  
Route des Arsenaux 41  
Casa Postale 80  
CH-1705 Fribourg  
Switzerland  
TEL (41) 26-426-5555  
FAX (41) 26-426-5500

### Asia

Atmel Asia, Ltd.  
Room 1219  
Chinachem Golden Plaza  
77 Mody Road Tsimhatsui  
East Kowloon  
Hong Kong  
TEL (852) 2721-9778  
FAX (852) 2722-1369

### Japan

Atmel Japan K.K.  
9F, Tonetsu Shinkawa Bldg.  
1-24-8 Shinkawa  
Chuo-ku, Tokyo 104-0033  
Japan  
TEL (81) 3-3523-3551  
FAX (81) 3-3523-7581

## Atmel Operations

### Memory

Atmel Corporate  
2325 Orchard Parkway  
San Jose, CA 95131  
TEL 1(408) 436-4270  
FAX 1(408) 436-4314

### Microcontrollers

Atmel Corporate  
2325 Orchard Parkway  
San Jose, CA 95131  
TEL 1(408) 436-4270  
FAX 1(408) 436-4314

Atmel Nantes  
La Chantrerie  
BP 70602  
44306 Nantes Cedex 3, France  
TEL (33) 2-40-18-18-18  
FAX (33) 2-40-18-19-60

### ASIC/ASSP/Smart Cards

Atmel Rousset  
Zone Industrielle  
13106 Rousset Cedex, France  
TEL (33) 4-42-53-60-00  
FAX (33) 4-42-53-60-01

Atmel Colorado Springs  
1150 East Cheyenne Mtn. Blvd.  
Colorado Springs, CO 80906  
TEL 1(719) 576-3300  
FAX 1(719) 540-1759

Atmel Smart Card ICs  
Scottish Enterprise Technology Park  
Maxwell Building  
East Kilbride G75 0QR, Scotland  
TEL (44) 1355-803-000  
FAX (44) 1355-242-743

### RF/Automotive

Atmel Heilbronn  
Theresienstrasse 2  
Postfach 3535  
74025 Heilbronn, Germany  
TEL (49) 71-31-67-0  
FAX (49) 71-31-67-2340

Atmel Colorado Springs  
1150 East Cheyenne Mtn. Blvd.  
Colorado Springs, CO 80906  
TEL 1(719) 576-3300  
FAX 1(719) 540-1759

### Biometrics/Imaging/Hi-Rel MPU/ High Speed Converters/RF Datacom

Atmel Grenoble  
Avenue de Rochepleine  
BP 123  
38521 Saint-Egreve Cedex, France  
TEL (33) 4-76-58-30-00  
FAX (33) 4-76-58-34-80

---

**Atmel Configurator Hotline**  
(408) 436-4119

**Atmel Configurator e-mail**  
configurator@atmel.com

**FAQ**  
Available on web site

**e-mail**  
literature@atmel.com

**Web Site**  
<http://www.atmel.com>

### © Atmel Corporation 2001.

Atmel Corporation makes no warranty for the use of its products, other than those expressly contained in the Company's standard warranty which is detailed in Atmel's Terms and Conditions located on the Company's web site. The Company assumes no responsibility for any errors which may appear in this document, reserves the right to change devices or specifications detailed herein at any time without notice, and does not make any commitment to update the information contained herein. No licenses to patents or other intellectual property of Atmel are granted by the Company in connection with the sale of Atmel products, expressly or by implication. Atmel's products are not authorized for use as critical components in life support devices or systems.

Atmel® is the registered trademark of Atmel.

FLEX™ is the trademark of Altera Corporation; ORCA™ is the trademark of Lucent Technologies, Inc.; SPARTAN™ and Virtex™ are the trademarks of Xilinx, Inc.; APEX™ is the trademark of MIPS Technologies; Other terms and product names may be the trademarks of others.



Printed on recycled paper.

0944E-12/01//xM