

DATA SHEET



TDA9840

TV and VTR stereo/dual sound
processor with digital identification
and I²C-bus control

Product specification
Supersedes data of 1995 Mar 21
File under Integrated Circuits, IC02

1998 Jul 03

TV and VTR stereo/dual sound processor with digital identification and I²C-bus control

TDA9840

FEATURES

- Supply voltage 5 to 8 V
- De-emphasis
- Source selector
- Level and stereo matrix adjustment possible via the I²C-bus
- I²C-bus transceiver
- AF inputs for NICAM or AM sound (standard L)
- AF outputs for Main and SCART
- AF input and output signals selectable via the I²C-bus
- Information for identified transmission mode is readable via I²C-bus
- Software is compatible with the TDA8415/16/17
- Quartz oscillator and clock generator
- Three digital PLL, alignment-free
- Two digital integrators, alignment-free
- Stabilizer circuit for ripple rejection and constant output signals
- ESD protection of all pins.



GENERAL DESCRIPTION

The TDA9840 is a stereo/dual sound processor for TV and VTR sets. Its identification ensures safe operation by using internal digital PLL technique with extremely small bandwidth, synchronous detection and digital integration (switching time maximum 2.3 s; identification concerning the main functions).

ORDERING INFORMATION

TYPE NUMBER	PACKAGE		
	NAME	DESCRIPTION	VERSION
TDA9840	DIP20	plastic dual in-line package; 20 leads (300 mil)	SOT146-1
TDA9840T	SO20	plastic small outline package; 20 leads; body width 7.5 mm	SOT163-1

TV and VTR stereo/dual sound processor
with digital identification and I²C-bus control

TDA9840

QUICK REFERENCE DATA

SYMBOL	PARAMETER	CONDITIONS	MIN.	TYP.	MAX.	UNIT
V _P	supply voltage (pin 18)		4.5	5	8.8	V
I _P	supply current (pin 18)		15.5	16.5	20.5	mA
V _{i(rms)}	nominal input signal voltage (V _{i1} , V _{i2} , V _{i3}) (RMS value)	54% modulation	–	250	–	mV
V _{o(rms)}	nominal output signal voltage (RMS value)	THD ≤ 0.3% 54% modulation	–	500	–	mV
V _{o(rms)}	clipping level of the output signal voltages (RMS value)	THD ≤ 1.5%				
		V _P = 5 V	1.4	1.6	–	V
		V _P = 8 V	2.4	2.65	–	V
ΔG _v	stereo control range for V _{i1} (0.1 dB steps)		+2.4	+2.5	+2.6	dB
			–2.3	–2.4	–2.5	dB
	level control range for V _{i2} (0.5 dB steps)		+2.4	+2.5	+2.6	dB
			–1.9	–2.0	–2.1	dB
V _{i pil}	input voltage sensitivity of pilot frequency	unmodulated	5	–	100	mV
S/N(W)	weighted signal-to-noise ratio	"CCIR468-3"	66	75	–	dB
THD	total harmonic distortion		–	0.2	0.3	%
T _{amb}	operating ambient temperature range		0	–	+70	°C
f _{ident}	identification window width	normal mode				
		STEREO	2.0	–	2.0	Hz
		DUAL	2.3	–	2.3	Hz
		fast mode				
	STEREO	3.8	–	3.8	Hz	
	DUAL	5.8	–	5.8	Hz	
t _{ident(on)}	total identification time ON	normal mode				
		STEREO	0.35	–	2.3	s
		DUAL	0.35	–	2.0	s
		fast mode				
	STEREO	0.175	–	1.1	s	
	DUAL	0.175	–	1.0	s	
V _{i tuner}	identification voltage sensitivity		–	28	–	dBμV
Δf _{pil}	pull-in frequency range of pilot PLL	f _ω = 10.008 MHz				
		lower side	–296	–	–296	Hz
		upper side	302	–	302	Hz

**TV and VTR stereo/dual sound processor
with digital identification and I²C-bus control**

TDA9840

BLOCK DIAGRAMS

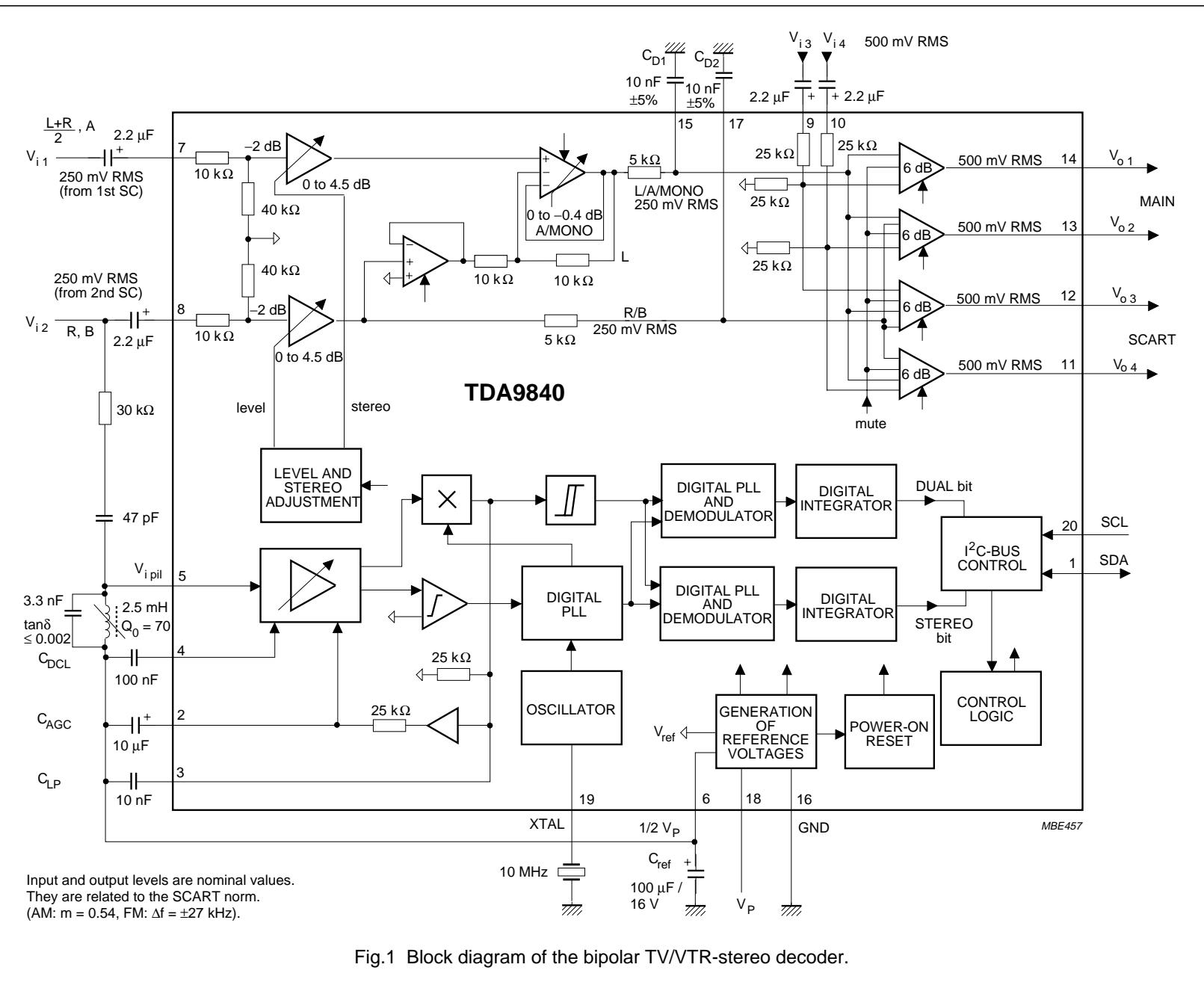
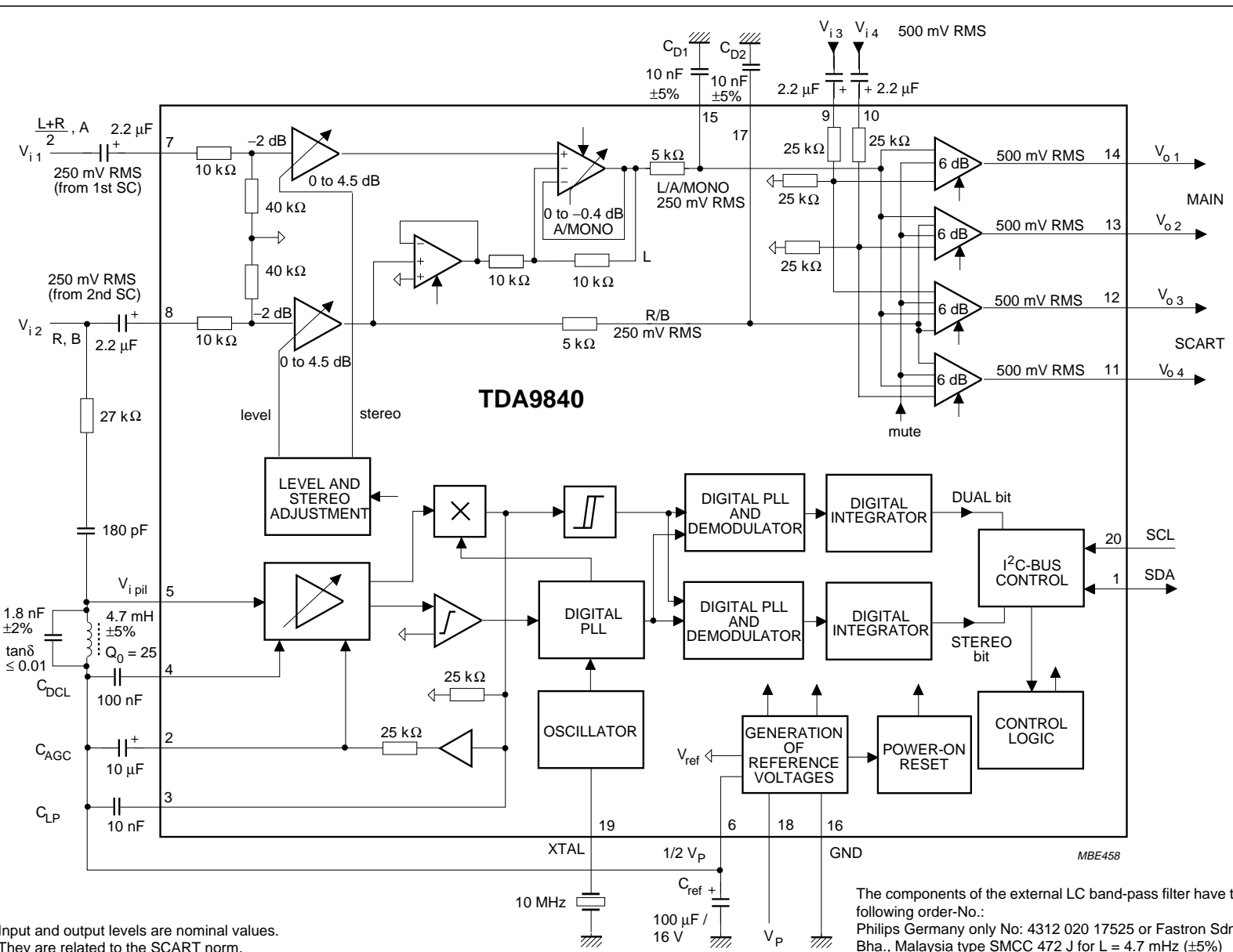


Fig.1 Block diagram of the bipolar TV/VTR-stereo decoder.

TV and VTR stereo/dual sound processor
with digital identification and I²C-bus control

TDA9840



Input and output levels are nominal values.
They are related to the SCART norm.
(AM: $m = 0.54$, FM: $\Delta f = \pm 27$ kHz).

The components of the external LC band-pass filter have the following order-No.:
Philips Germany only No: 4312 020 17525 or Fastron Sdn. Bha., Malaysia type SMCC 472 J for $L = 4.7$ mHz ($\pm 5\%$)
Philips Components No: 2222 429 71802, $C = 1.8$ nF ($\pm 2\%$).

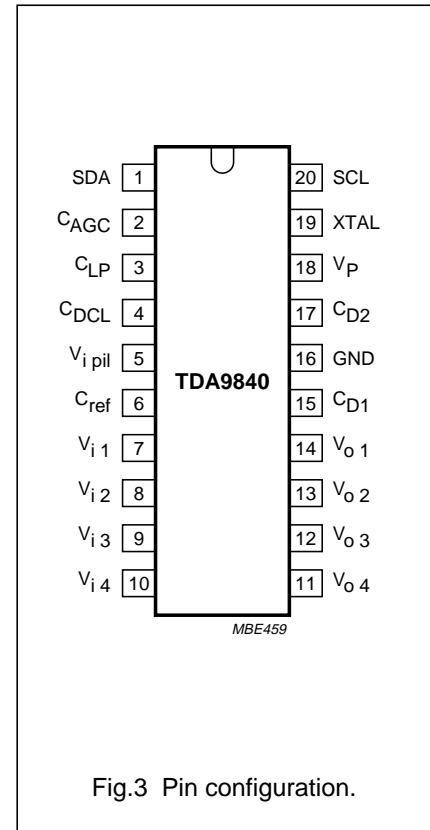
Fig.2 Block diagram of the bipolar TV/VTR-stereo decoder with fixed coil (alignment-free).

TV and VTR stereo/dual sound processor with digital identification and I²C-bus control

TDA9840

PINNING

SYMBOL	PIN	DESCRIPTION
SDA	1	I ² C-bus data input/output
C _{AGC}	2	AGC capacitor of pilot frequency amplifier
C _{LP}	3	identification low-pass capacitor
C _{DCL}	4	DC loop capacitor
V _{i pil}	5	pilot frequency input voltage
C _{ref}	6	capacitor of reference voltage ($\frac{1}{2}V_P$)
V _{i 1}	7	AF input signal V _{i 1} (from 1st sound carrier)
V _{i 2}	8	AF input signal V _{i 2} (from 2nd sound carrier)
V _{i 3}	9	AF input signal V _{i 3} (NICAM or AM sound (standard L))
V _{i 4}	10	AF input signal V _{i 4} (NICAM)
V _{o 4}	11	AF output signal V _{o 4} (SCART)
V _{o 3}	12	AF output signal V _{o 3} (SCART)
V _{o 2}	13	AF output signal V _{o 2} (main)
V _{o 1}	14	AF output signal V _{o 1} (main)
C _{D1}	15	50 μ s de-emphasis capacitor of AF Channel 1
GND	16	ground (0 V)
C _{D2}	17	50 μ s de-emphasis capacitor of AF Channel 2
V _P	18	supply voltage (+5 to +8 V)
XTAL	19	10 MHz crystal input
SCL	20	I ² C-bus clock input



TV and VTR stereo/dual sound processor with digital identification and I²C-bus control

TDA9840

FUNCTIONAL DESCRIPTION

The TDA9840 (see Fig.1) receives the signals from the FM-demodulators in a TV two sound-carrier system. The circuit is realized by the H00485 bipolar process.

The IC is intended for use in economic TV and VTR receivers. Therefore optimum relationship between integration of functions and use of external components has been striven for. Additionally a new type of identification circuit has been developed.

AF signal handling

The input AF signals, derived from the two sound carriers, are processed in analog form using operational amplifiers. The circuit incorporates level- and stereo-adjustment to correct the spreading in the FM detector output levels. Dematrixing uses the technique of two amplifiers processing the AF signals. Finally, a source selector provides the facility to route the mono signal through to the outputs ('forced mono').

De-emphasis is performed by two RC low-pass filter networks with internal resistors and external capacitors. This provides a frequency response with the tolerances given in Fig.4.

A source selector, controlled via the I²C-bus, allows selection of the different modes of operation in accordance with the transmitted signal. The device was designed for a nominal input signal (FM: 54% modulation is equivalent to $\Delta f = \pm 27$ kHz / AM: $m = 0.54$) of 250 mV RMS (V_{i1}, V_{i2}), respectively 500 mV RMS (V_{i3}, V_{i4}). A nominal gain of 6 dB for V_{i1} and V_{i2} signals and 0 dB for V_{i3} and V_{i4} signals is built-in. By using rail-to-rail operational amplifiers, the clipping level (THD $\leq 1.5\%$) is 1.6 V RMS for $V_P = 5$ V and 2.65 V RMS for $V_P = 8$ V at outputs V_{o1}, V_{o2}, V_{o3} and V_{o4} . Care has been taken to minimize switching pops. Also total harmonic distortion and random noise are considerably reduced.

Identification

The pilot signal is fed via an external RC high-pass filter and single tuned LC band-pass filter to the input of a gain controlled amplifier. The external LC band-pass filter in combination with the external RC high-pass filter should have a loaded Q-factor of about 40 to 50 to ensure the highest identification sensitivity. By using a fixed coil ($\pm 5\%$) to save the alignment (see Fig.2), a Q-factor of about 12 is proposed. This may cause a loss in sensitivity of about 2 to 3 dB. A digital PLL circuit generates a reference carrier, which is synchronized with the pilot carrier. This reference carrier and the gain controlled pilot signal

are fed to the AM-synchronous demodulator. The demodulator detects the identification signal, which is fed through a low-pass filter with external capacitor C_{LP} (pin 3) to a Schmitt-trigger for pulse shaping and suppression of low level spurious signal components. This is a measure against mis-identification.

The identification signal is amplified and fed through an AGC low-pass filter with external capacitor C_{AGC} (pin 2) to obtain the AGC voltage for controlling the gain of the pilot signal amplifier.

The identification stages consist of two digital PLL circuits with digital synchronous demodulation and digital integrators to generate the stereo or dual sound identification bits which can be read out via the I²C-bus.

A 10 MHz quartz crystal oscillator provides the reference clock frequency. The corresponding detection bandwidth is larger than ± 50 Hz for the pilot carrier signal, so that f_p -variations from the transmitter can be tracked in case of missing synchronisation with the horizontal frequency f_H . However the detection bandwidth for the identification signal is made small (approximately ± 1 Hz) to reduce mis-identification.

Figure 2 shows an example of the alignment-free f_p band-pass filter. To achieve the required Q_L of approximately 12, the Q_0 at f_p of the coil was chosen to be approximately 25 (effective Q_0 including PCB influence). Using coils with other Q_0 , the RC-network (R_{FP}, C_{FP}) has to be adapted accordingly. It is assumed that the loss factor $\tan \delta$ of the resonance capacitor is ≤ 0.01 at f_p .

Copper areas under the coil might influence the loaded Q and have to be taken into account. Care has also to be taken in environments with strong magnetic fields when using coils without magnetic shielding.

I²C-bus transceiver

The complete IC is controlled by a microcomputer via the I²C-bus. The built-in I²C-bus transceiver transmits the identification result to the I²C-bus and receives the control data for the source selector and level control. The I²C-bus protocol is given in Tables 2 to 12 respectively.

The data transmission between the microcontroller and the other I²C-bus controlled ICs is not disturbed, when the supply voltage of the TDA9840 is not connected or when powering up or down. Finally, a Schmitt-trigger is built-in the SDA/SCL interface to suppress spikes from the I²C-bus.

TV and VTR stereo/dual sound processor with digital identification and I²C-bus control

TDA9840

Power supply

The different supply voltages and currents required for the analog and digital circuits are derived from an internal band-gap reference circuit. The AF reference voltage is $\frac{1}{2}V_P$. For a fast setting to $\frac{1}{2}V_P$ an internal start-up circuit is added. A good ripple rejection is achieved with the external capacitor $C_{ref} = 100 \mu\text{F}/16 \text{ V}$ in conjunction with the high ohmic input of the $\frac{1}{2}V_P$ pin (pin 6). Additional DC-load on this pin is prohibited.

Power-on reset

When a power-on reset is activated by switching on the supply voltage or because of a supply voltage breakdown, the 117/274 Hz DPLL, the 117/274 Hz integrator and the registers will be reset. Both AF channels (Main and SCART) are muted.

Fast mode / test mode

The TDA9840 has a fast mode (test mode) to reduce the integration time of the 117/274 Hz integrator from approximately 1 to 0.5 s.

ESD protection

All pins are ESD protected. The protection circuits represent the latest state of the art.

Internal circuit

The internal pin loading diagram is given in Fig.7.

LIMITING VALUES

In accordance with the Absolute Maximum Rating System (IEC 134).

SYMBOL	PARAMETER	CONDITIONS	MIN.	MAX.	UNIT
V_P	supply voltage (pin 18)		-0.3	10	V
V_i	voltage at pins 1 and 20		-0.3	5.5	V
V_i	voltage at pins 2 to 15, 17 and 19		-0.3	V_P	V
T_{stg}	storage temperature		-25	+150	°C
T_{amb}	operating ambient temperature		0	+70	°C
V_{esd}	electrostatic handling for all pins	note 1	-	±300	V

Note

- Charge device model class B: discharging a 200 pF capacitor through a 0 Ω series resistor.

THERMAL CHARACTERISTICS

SYMBOL	PARAMETER	VALUE	UNIT
$R_{th\ j-a}$	thermal resistance from junction to ambient in free air		
	DIP20	73	K/W
	SO20	90	K/W

TV and VTR stereo/dual sound processor with digital identification and I²C-bus control

TDA9840

CHARACTERISTICS

$V_P = 5\text{ V}$; $T_{\text{amb}} = +25\text{ °C}$; nominal input signal $V_{i1,2} = 0.25\text{ V}$ RMS value (FM: 54% modulation is equivalent to $\Delta f = \pm 27\text{ kHz}$); nominal input signal $V_{i3,4} = 0.5\text{ V}$ RMS value (AM: $m = 0.54$); nominal output signal $V_{o1,2,3,4} = 0.5\text{ V}$ RMS value; $f_{AF} = 1\text{ kHz}$; $V_{i\text{pil}} = 16\text{ mV}$ RMS value; $f_{\text{pil}} = 54.6875\text{ kHz}$ (identification frequencies: stereo = 117.48 Hz, dual = 274.12 Hz), $50\text{ }\mu\text{s}$ pre-emphasis; noise measurement in accordance with "CCIR468-3", working oscillator frequency $f_{\omega} = 10.008\text{ MHz}$; currents into the IC positive; measured in test circuit according to Fig.5; unless otherwise specified.

SYMBOL	PARAMETER	CONDITIONS	MIN.	TYP.	MAX.	UNIT
Supply						
V_P	supply voltage (pin 18)		4.5	5	8.8	V
I_P	supply current (pin 18)		15.5	16.5	20.5	mA
P_{tot}	total power dissipation		69.75	82.5	180.4	mW
$V_{n(\text{DC})}$	DC voltage (pins 7 to 15 and 17)		$\frac{1}{2}V_P - 0.1$	$\frac{1}{2}V_P$	$\frac{1}{2}V_P + 0.1$	V
$V_{\text{ref}(\text{DC})}$	DC reference voltage (pin 6)		$\frac{1}{2}V_P - 0.1$	$\frac{1}{2}V_P$	$\frac{1}{2}V_P + 0.1$	V
$I_{L(\text{DC})}$	DC leakage current (pin 6)		–	–	± 1	μA
AF Inputs; V_{i1} and V_{i2} (pins 7 and 8)						
$V_{i(\text{rms})}$	nominal input signal voltage (RMS value)	54% modulation	–	0.25	–	V
$V_{i(\text{rms})}$	clipping voltage level (RMS value)	THD $\leq 1.5\%$; note 1				
		$V_P = 5\text{ V}$	0.625	0.715	–	V
		$V_P = 8\text{ V}$	1.050	1.200	–	V
		THD $\leq 1.5\%$; note 2				
$V_P = 5\text{ V}$	0.780	0.900	–	V		
$V_P = 8\text{ V}$	1.300	1.500	–	V		
G_V	AF signal voltage gain	$G = V_o/V_i$; note 3	5	6	7	dB
$\Delta G_V (V_{o1})$	stereo control range	only at pin 7	+2.4	+2.5	+2.6	dB
			–2.3	–2.4	–2.5	dB
	nominal step	maximum 49 steps	–	0.1	–	dB
$\Delta G_V (V_{o2})$	level control range	only at pin 8	+2.4	+2.5	+2.6	dB
			–1.9	–2.0	–2.1	dB
	nominal step	maximum 9 steps	–	0.5	–	dB
R_i	input resistance		40	50	60	k Ω
R_{deem}	internal de-emphasis resistor (pins 15 and 17)	see Fig.4	4.25	5.0	5.75	k Ω
Additional AF input pin (pins 9 and 10)						
$V_{i(\text{rms})}$	nominal input signal voltage (RMS value)	54% modulation	–	0.5	–	V
$V_{i(\text{rms})}$	clipping voltage level (RMS value)	THD $\leq 1.5\%$				
		$V_P = 5\text{ V}$	1.25	1.40	–	V
		$V_P = 8\text{ V}$	2.10	2.35	–	V
G_V	AF signal voltage gain	$G = V_o/V_i$; note 3	–1	0	1	dB
R_i	input resistance		40	50	60	k Ω

TV and VTR stereo/dual sound processor
with digital identification and I²C-bus control

TDA9840

SYMBOL	PARAMETER	CONDITIONS	MIN.	TYP.	MAX.	UNIT
AF outputs (pins 11 to 14)						
$V_{o(rms)}$	nominal output signal voltage (RMS value)	THD \leq 0.3%; 54% modulation	–	0.5	–	V
$V_{o(rms)}$	clipping voltage level (RMS value)	THD \leq 1.5% $V_P = 5$ V $V_P = 8$ V	1.4 2.4	1.6 2.65	– –	V V
R_o	output resistance		150	250	350	Ω
C_L	load capacitor on output		–	–	1.5	nF
R_L	load resistor on output (AC-coupled)		10	–	–	k Ω
B	frequency response (bandwidth)	$f_i = 40$ to 20000 Hz; note 4	–0.5	–	+0.5	dB
$B_{-3\text{ dB}}$	frequency response	–3 dB; note 4	300	350	400	kHz
THD	total harmonic distortion	note 3	–	0.2	0.3	%
S/N(W)	weighted signal-to-noise ratio	"CCIR468-3" (quasi-peak)	66	75	–	dB
α_{cr}	crosstalk attenuation for DUAL STEREO	notes 3 and 5 $ Z_s \leq 1$ k Ω $ Z_s \leq 1$ k Ω	70 40	75 45	– –	dB dB
α_{mute}	mute attenuation	$ Z_s \leq 1$ k Ω ; note 3	76	80	–	dB
ΔV_{DC}	change of DC level output voltage between any two modes of operation	after switching	–	–	± 10	mV
PSRR	power supply ripple rejection	$f_r = 70$ Hz; see Fig.6	50	65	–	dB
$I_{O(DC)}$	DC output current		–	–	± 20	μ A
α_{I2C}	noise from I ² C-bus	note 6	–	90	80	dB
10 MHz crystal oscillator (pin 19)						
f_r	series resonant frequency of crystal (fundamental mode)	$C_L = 20$ pF	9.995	10.008	10.021	MHz
f_ω	working oscillator frequency (running in parallel resonance mode)	over operating temperature range including ageing and influence of drive circuit	9.988	10.008	10.028	MHz
R_r	equivalent crystal series resistance	even at extremely low drive level (<1 pW) over operating temperature range with $C_0 = 6$ pF	–	60	200	Ω
R_n	crystal series resistance of unwanted mode		$2 \times R_r$	–	–	Ω
C_0	crystal parallel capacitance	with $R_r \leq 100$ Ω	–	6	10	pF
C_1	crystal motional capacitance		–	25	50	fF

TV and VTR stereo/dual sound processor
with digital identification and I²C-bus control

TDA9840

SYMBOL	PARAMETER	CONDITIONS	MIN.	TYP.	MAX.	UNIT
P _{XTAL}	level of drive in operation		–	–	5	μW
V _{OSC(p-p)}	oscillator operating voltage (peak-to-peak value)		500	550	600	mV
Pilot processing						
V _{i pil(rms)}	pilot input voltage level at pin 5 (RMS value)	unmodulated	5	–	100	mV
R _{i pil}	pilot input resistance		500	1000	–	kΩ
m	modulation depth	AM	25	50	75	%
Δf _{pil}	pilot PLL pull-in frequency range (referred to f _{pil} = 54.6875 kHz)	f _ω = 9.988 MHz				
		lower side	–405	–	–405	Hz
		upper side	192	–	192	Hz
		f _ω = 10.008 MHz				
		lower side	–296	–	–296	Hz
		upper side	302	–	302	Hz
f _ω = 10.028 MHz	lower side	–188	–	–188	Hz	
	upper side	411	–	411	Hz	
t _{pil}	pilot PLL pull-in time		0	–	1.7	ms
f _{LP}	low-pass frequency response	–3 dB	450	600	750	Hz
R ₃	low-pass output resistance		18.75	25	31.25	kΩ
V _{4(rms)}	identification threshold voltage (RMS value)		–	–	70	mV
Q _L	loaded quality factor of resonance circuit	high sensitivity	40	–	50	
	loaded quality factor of resonance circuit with fixed coil	sensitivity loss 2 to 3 dB; see Fig.2	–	12	–	
t _{acqui AGC}	AGC acquisition time	V _{i pil(rms)} switched from 0 to 100 mV RMS value	–	–	0.1	s
Identification (internal functions)						
V _{i tuner}	identification voltage sensitivity (pin 5)	note 7	–	28	–	dBμV
C/N	pilot carrier-to-noise ratio for start of identification	note 8	–	33	–	dB/Hz
H	hysteresis	note 7	–	–	2	dB

TV and VTR stereo/dual sound processor
with digital identification and I²C-bus control

TDA9840

SYMBOL	PARAMETER	CONDITIONS	MIN.	TYP.	MAX.	UNIT
f _{det}	pull-in frequency range of identification PLL (referred to f _{det} STEREO = 117.48 Hz and f _{det} DUAL = 274.12 Hz)	normal mode lower side				
		STEREO	-0.38	–	-0.38	Hz
		DUAL	-0.69	–	-0.69	Hz
		normal mode upper side				
		STEREO	0.69	–	0.69	Hz
		DUAL	0.69	–	0.69	Hz
		fast mode lower side				
		STEREO	-0.89	–	-0.89	Hz
DUAL	-2.05	–	-2.05	Hz		
t _{det}	pull-in time of identification PLL (referred to f _{det} STEREO = 117.48 Hz and f _{det} DUAL = 274.12 Hz)	normal mode				
		STEREO	0	–	1.35	s
		DUAL	0	–	0.72	s
		fast mode				
STEREO	0	–	0.57	s		
DUAL	0	–	0.25	s		
f _{ident}	identification window frequency width (referred to f _{det} STEREO = 117.48 Hz and f _{det} DUAL = 274.12 Hz)	normal mode; note 9				
		STEREO	2.0	–	2.0	Hz
		DUAL	2.3	–	2.3	Hz
		fast mode; note 9				
STEREO	3.8	–	3.8	Hz		
DUAL	5.8	–	5.8	Hz		
t _{integr}	integrator time constant	normal mode	0.94	–	0.94	s
		fast mode	0.47	–	0.47	s
t _{ident(on)}	total identification time on	normal mode; note 10				
		STEREO	0.35	–	2.3	s
		DUAL	0.35	–	2.0	s
		fast mode; note 10				
STEREO	0.175	–	1.1	s		
DUAL	0.175	–	1.0	s		
t _{ident(off)}	total identification time off	normal mode; note 11				
		STEREO	0.6	–	1.6	s
		DUAL	0.6	–	1.6	s
		fast mode; note 11				
STEREO	0.3	–	0.8	s		
DUAL	0.3	–	0.8	s		

TV and VTR stereo/dual sound processor
with digital identification and I²C-bus control

TDA9840

SYMBOL	PARAMETER	CONDITIONS	MIN.	TYP.	MAX.	UNIT
I²C-bus transceiver (pins 1 and 20)						
f _{Cl}	clock frequency		0	–	100	kHz
I²C-bus: SCL (pin 20)						
V _{IL}	LOW level input voltage		–0.3	–	1.5	V
V _{IH}	HIGH level input voltage		3.0	–	5.5	V
t _{low}	timing LOW period		4.7	–	–	μs
t _{high}	timing HIGH period		4.0	–	–	μs
t _r	rise time		–	–	1	μs
t _f	fall time		–	–	0.3	μs
I _{IL}	LOW level input current		–	–	–10	μA
I _{IH}	HIGH level input current		–	–	10	μA
I²C-bus: SDA (pin 1)						
V _{IL}	LOW level input voltage		–0.3	–	1.5	V
V _{IH}	HIGH level input voltage		3.0	–	5.5	V
t _r	rise time		–	–	1	μs
t _f	fall time		–	–	0.3	μs
t _{su}	data set-up time		0.25	–	–	μs
I _{IL}	LOW level input current		–	–	–10	μA
I _{OL}	LOW level output current		–3	–	–	mA
I _{IH}	HIGH level input current		–	–	10	μA

Notes

1. Input control amplifiers with $\Delta G_v = 0$ dB.
2. Input control amplifiers with $\Delta G_v = -2$ dB.
3. $V_o = 0.5$ V RMS value; $f = 1$ kHz; input control amplifiers with $\Delta G_v = 0$ dB.
4. Without de-emphasis capacitors with respect to nominal gain.
5. In dual mode: A (B)-signal into B (A) channel.
In stereo mode: R-signal into left channel; L-signal = 0.
6. Test procedure tbf (same as TDA9855).
7. Tuner input signal, measured with PCALH reference front end ($\frac{1}{2}$ EMF, 75 Ω , 2T/20T/white bar, 100% video) and PC/SC₁ = 13 dB; PC/SC₂ = 20 dB. The pilot band-pass has to be aligned.
8. Bandwidth of the pilot BP-filter B_{-3 dB} = 1.2 kHz. V_{i2} input driven with identification-modulated pilot carrier and white noise.
9. Identification window is defined as total pull-in frequency range (lower plus upper side) of identification PLL (steady detection) plus window increase due to integrator (fluctuating detection).
10. The maximum total system identification time ON is equal to t_{ident(on)} plus t_{acqui AGC} plus t_{i2C read-out}.
11. The maximum total system identification time OFF is equal to t_{ident(off)} plus t_{i2C read-out}.

TV and VTR stereo/dual sound processor with digital identification and I²C-bus control

TDA9840

I²C-BUS PROTOCOL FOR THE TV AND VTR STEREO/DUAL SOUND PROCESSOR TDA9840

The TDA9840 has an I²C-bus interface with five registers: status, test, switch, level and stereo adjustment register controlled by a microcontroller via I²C-bus. The status register can be read and the other registers are write registers. The status byte represents the transmitter status detected by the identification circuit and the power-on reset status. The switch register controls the source selectors of the AF signal part, and the level and stereo adjustment register set the input level and stereo adjustment stage. Additionally, a test register is built-in to reduce the detection time of the identification circuit (test mode, fast mode respectively).

I²C-bus transceiver and data-handling (bus specification)

The TDA9840 is controlled by a microcomputer via the bidirectional 2-line I²C-bus. The two lines are a serial data line (SDA) and a serial clock line (SCL). Both lines must be connected to a positive supply via a pull-up resistor. Data transfer may be initiated only when the bus is not busy.

When the bus is free, both lines are HIGH. The data on the SDA line must be stable during the HIGH period of the clock. The HIGH or LOW state of the data line can only change, when the clock signal on the SCL line is LOW. The set-up and hold times are specified in the Chapter "Characteristics".

A HIGH-to-LOW transition of the SDA line, while SCL is HIGH, is defined as the start condition. A LOW-to-HIGH transition of the SDA line, while SCL is HIGH, is defined as the stop condition. The bus transceiver will be reset on the reception of a start condition. The bus is considered to be busy after the start condition. The bus is considered to be free again after a stop condition.

Data format transmitter mode

For the data transmission no subaddress is to be transmitted, because there is only one read register implemented. So the total number of bytes reduces from three to two. The second byte represents the status of the IC.

Status register (see Table 4)

The bit D7 (PONRES) represents the status of the IC and indicates whether the power-on reset was activated by switching-on the supply voltage or a supply voltage breakdown. If so, the I²C-bus transceiver, the digital PLLs and integrators are initialized and the PONRES bit is set to

HIGH. After a successful reading of the status register, the bit D7 will be reset to LOW.

The bits D5 and D6 represent the transmitter status detected by the identification circuit (stereo, dual or mono transmission). The other bits are set to 0 (default).

Data format for the receiver

Table 1 Registers for receiver mode (see Table 6)

REGISTER	VALUE
Switch register	(00) _{HEX}
Port register	(01) _{HEX} (without function)
Level adjustment register	(02) _{HEX}
Stereo adjustment register	(03) _{HEX}
Test register	(04) _{HEX}

The port register is without function, because this IC has no control ports as TDA8415/6/7. A data byte for the subaddress (01)_{HEX} will not be stored in any register. An acknowledge will be sent to the microcontroller.

The first byte of the data transmission is the slave address and the second byte is the subaddress indicating the data register in which the data shall be stored. Starting from subaddress (00)_{HEX} the n-th data byte will automatically be stored under subaddress n – 1.

All 8 bits of the subaddress are decoded by the device. The subaddresses from (04)_{HEX} to (FF)_{HEX} are forbidden for the user. If the I²C-bus transceiver receives subaddresses from (05)_{HEX} to (FF)_{HEX}, no acknowledge will be sent back to the microcontroller.

Switch register

The source selector is controlled by the switch register. Table 7 shows the modes of operation. Note, that in the event of the external operation mode, no further selection is possible.

TV and VTR stereo/dual sound processor with digital identification and I²C-bus control

TDA9840

Level adjustment register

The information about the level adjustment of the AF channel V_{i2} (pin 8) is stored in the level adjustment register (see Table 10). There are 10 steps (positions) of the AF level adjustment stage. The level range is from 2.5 dB up to -2.0 dB in 0.5 dB steps.

After a power-on reset, the data byte of the level adjustment register will be set to (00)_{HEX}: 0 dB gain at the AF input V_{i2} .

Stereo adjustment register

The information about the stereo adjustment of the AF channel V_{i1} (pin 7) is stored in the stereo adjustment register (see Table 11). There are 50 steps (positions) of the AF stereo adjustment stage. The stereo range is from 2.5 dB up to -2.4 dB in 0.1 dB steps.

After a power-on reset, the data byte of the stereo adjustment register will be set to (00)_{HEX}: 0 dB gain at the AF input V_{i1} .

Test register (also used for fast mode)

Table 12 shows the meaning of the test register. The integration time of the integrator is approximately 1 s (normal mode, default). If the data byte of this register is set to HIGH, the integration time is reduced from approximately 1 to approximately 0.5 s (fast mode, test mode). The pull-in ranges of the identification PLLs are changed to:

Stereo: $-0.89/+1.15$ Hz

Dual: ± 2.05 Hz.

If the integration time of the integrator is switched from one mode to the other (i.e. from fast mode/test mode to normal mode), the status register bits D5 and D6 might set to zero internally (MONO). Therefore, the previous status register information has to be stored by the microcontroller until the transmitter status is detected again by the identification circuit (now in the new mode) the first time.

The data byte of the test register can be reset in two different ways to (00)_{HEX}: integration time approximately 1 s, normal mode:

- after a power-on reset, for instance by switching the power supply V_p off and on again
- data transmission via I²C-bus for the test register (see Table 12).

Level and stereo adjustment

For the level and stereo adjustment of both AF channels V_{i1} and V_{i2} , the following procedure will be recommended.

Level adjustment of the AF channel V

- Feeds AF signal at the input V_{i2}
- Sets the data byte of the switch register (dual mode) to (1A)_{HEX}
- Measures the signal at the outputs V_{o2} or V_{o4}
- Adjusts the output level with the level adjustment register.

Stereo adjustment of the AF channel V_{i1}

- Feeds AF stereo signals at the inputs V_{i1} ((L+R)/2) and V_{i2} (R)
- Sets the data byte of the switch register (stereo mode) to (2A)_{HEX}
- Measures the crosstalk attenuation between V_{o1} and V_{o2} or V_{o3} and V_{o4}
- Adjusts the crosstalk attenuation with the stereo adjustment register.

During the stereo adjustment the data byte of the level adjustment register does not change.

After the level and stereo adjustment, the bytes of the level and stereo adjustment register must be stored by the microcontroller in a memory. (To avoid mis-adjustment it would be wise to compare the stored bytes with the proper adjustment bytes). If the PONRES bit of the status register will be set to HIGH (see status register) the data bytes for these both registers must be sent out of the memory to the TDA9840 via I²C-bus. Also the data byte of the switch register (see Table 7) must be changed, because the AF outputs are muted.

TV and VTR stereo/dual sound processor with digital identification and I²C-bus control

TDA9840

I²C-BUS FORMAT

X is the read/write control bit; X = 0, order to write (the circuit is slave receiver); X = 1, order to read (the circuit is slave transmitter). If more than 1 byte of DATA is transmitted, then auto-increment of the significant subaddress is performed.

Table 2 I²C-bus; SLAVE ADDRESS/SUBADDRESS/DATA format

S	SLAVE ADDRESS	A	SUBADDRESS	A	DATA	P
---	---------------	---	------------	---	------	---

Table 3 Explanation of Table 2

BIT	FUNCTION
S	start condition
SLAVE ADDRESS	1000 010X
A	acknowledge, generated by the slave
SUBADDRESS	dual sound A/B
DATA	data byte; see Table 6
P	stop condition

Table 4 I²C-bus; SLAVE ADDRESS/DATA to read the status byte (X = 1 in the address byte)

FUNCTION	SLAVE ADDRESS	DATA							
		D7	D6	D5	D4	D3	D2	D1	D0
Status byte	1000 0101	PONRES	ST	DS	0	0	0	0	0

Table 5 Explanation of Table 4

BIT	FUNCTION
PONRES = 0	after a successful reading of the status register
PONRES = 1	after power-on reset or after supply breakdown
ST = 0; DS = 0	MONO sound identified
ST = 0; DS = 1	DUAL sound identified
ST = 1; DS = 0	STEREO sound identified
ST = 1; DS = 1	incorrect identification

TV and VTR stereo/dual sound processor with digital identification and I²C-bus control

TDA9840

Table 6 I²C-bus; SUBADDRESS/DATA for writing (X = 0 in the address byte)

FUNCTION	SUBADDRESS	DATA							
		D7	D6	D5	D4	D3	D2	D1	D0
Switching	0000 0000	0	SW6	SW5	SW4	SW3	SW2	SW1	SW0
Without function (note 1)	0000 0001	0	0	0	0	0	0	0	0
Level adjustment	0000 0010	0	0	0	0	LV3	LV2	LV1	LV0
Stereo adjustment	0000 0011	0	0	ST5	ST4	ST3	ST2	ST1	ST0

Note

1. This byte is acknowledged by the TDA9840.

Function of the bits:

- SW6 to SW0 input and output AF selection; see Table 7
- LV3 to LV0 level adjustment; see Table 10
- ST5 to ST0 stereo adjustment; see Table 11.

Table 7 Data byte to select AF inputs and AF outputs [subaddress (00)_{HEX}]

TRANSMISSION MODE		INPUT SIGNAL				OUTPUT SIGNAL				DATA								
		ST/DS/M		EXT		MAIN		SCART		D7	D6	D5	D4	D3	D2	D1	D0	HEX
		V _{i1} PIN 7	V _{i2} PIN 8	V _{i3} PIN 9	V _{i4} PIN 10	V _{o1} PIN 14	V _{o2} PIN 13	V _{o3} PIN 12	V _{o4} PIN 11									
Sound mute	–	–	–	–	–	no signal				0	0	0	0	0	0	0	0	00
MONO	M	M	–	–	–	M	M	M	M	0	0	0	1	0	0	0	0	10
STEREO	ST	S	R	–	–	S	S	S	S	0	0	0	1	0	0	0	0	10
		S	R	–	–	L	R	L	R	0	0	1	0	1	0	1	0	2A
DUAL	DS	A	B	–	–	A	B	A	A	0	0	0	1	0	0	1	0	12
		A	B	–	–	A	B	A	B	0	0	0	1	1	0	1	0	1A
		A	B	–	–	A	B	B	A	0	0	0	1	0	1	1	0	16
		A	B	–	–	A	B	B	B	0	0	0	1	1	1	1	0	1E
External	–	–	–	C	D	C	D	C	D	0	1	1	1	1	0	1	0	7A

Table 8 Explanation of Table 7

SIGNAL	DESCRIPTION
R	right
L	left
S	$\frac{(L + R)}{2}$
A and B	dual sound A/B

SIGNAL	DESCRIPTION
C	NICAM or AM sound (standard L)
D	NICAM
M	mono sound
DS	dual sound
ST	stereo sound

TV and VTR stereo/dual sound processor
with digital identification and I²C-bus control

TDA9840

Table 9 AF switch configuration

INPUT		OUTPUT	
TRANSMITTER STATUS	SIGNAL	MAIN	SCART
MONO	M	M	M
		M	M
STEREO	L	L or M	L or M
	R	R or M	R or M
DUAL	A	A	A or B
	B	B	A or B
External	C	C	C
	D	D	D

Table 10 Data byte to select level adjustment [subaddress (02)_{HEX}]

ΔG_V (dB)	DATA								
	D7	D6	D5	D4	D3	D2	D1	D0	HEX
+2.5	0	0	0	0	1	1	0	1	0D
+2.0	0	0	0	0	1	1	0	0	0C
+1.5	0	0	0	0	1	0	1	1	0B
+1.0	0	0	0	0	1	0	1	0	0A
+0.5	0	0	0	0	1	0	0	1	09
0	0	0	0	0	0	0	0	0	00
-0.5	0	0	0	0	0	0	0	1	01
-1.0	0	0	0	0	0	0	1	0	02
-1.5	0	0	0	0	0	0	1	1	03
-2.0	0	0	0	0	0	1	0	0	04

TV and VTR stereo/dual sound processor with digital identification and I²C-bus control

TDA9840

Table 11 Data byte to select stereo adjustment
[subaddress (03)_{HEX}]

ΔG_V (dB)	DATA								
	D7	D6	D5	D4	D3	D2	D1	D0	HEX
+2.5	0	0	1	1	1	0	0	1	39
+2.4	0	0	1	1	1	0	0	0	38
+2.3	0	0	1	1	0	1	1	1	37
+2.2	0	0	1	1	0	1	1	0	36
+2.1	0	0	1	1	0	1	0	1	35
+2.0	0	0	1	1	0	1	0	0	34
+1.9	0	0	1	1	0	0	1	1	33
+1.8	0	0	1	1	0	0	1	0	32
+1.7	0	0	1	1	0	0	0	1	31
+1.6	0	0	1	1	0	0	0	0	30
+1.5	0	0	1	0	1	1	1	1	2F
+1.4	0	0	1	0	1	1	1	0	2E
+1.3	0	0	1	0	1	1	0	1	2D
+1.2	0	0	1	0	1	1	0	0	2C
+1.1	0	0	1	0	1	0	1	1	2B
+1.0	0	0	1	0	1	0	1	0	2A
+0.9	0	0	1	0	1	0	0	1	29
+0.8	0	0	1	0	1	0	0	0	28
+0.7	0	0	1	0	0	1	1	1	27
+0.6	0	0	1	0	0	1	1	0	26
+0.5	0	0	1	0	0	1	0	1	25
+0.4	0	0	1	0	0	1	0	0	24
+0.3	0	0	1	0	0	0	1	1	23
+0.2	0	0	1	0	0	0	1	0	22
+0.1	0	0	1	0	0	0	0	1	21

ΔG_V (dB)	DATA								
	D7	D6	D5	D4	D3	D2	D1	D0	HEX
0	0	0	0	0	0	0	0	0	00
-0.1	0	0	0	0	0	0	0	1	01
-0.2	0	0	0	0	0	0	1	0	02
-0.3	0	0	0	0	0	0	1	1	03
-0.4	0	0	0	0	0	1	0	0	04
-0.5	0	0	0	0	0	1	0	1	05
-0.6	0	0	0	0	0	1	1	0	06
-0.7	0	0	0	0	0	1	1	1	07
-0.8	0	0	0	0	1	0	0	0	08
-0.9	0	0	0	0	1	0	0	1	09
-1.0	0	0	0	0	1	0	1	0	0A
-1.1	0	0	0	0	1	0	1	1	0B
-1.2	0	0	0	0	1	1	0	0	0C
-1.3	0	0	0	0	1	1	0	1	0D
-1.4	0	0	0	0	1	1	1	0	0E
-1.5	0	0	0	0	1	1	1	1	0F
-1.6	0	0	0	1	0	0	0	0	10
-1.7	0	0	0	1	0	0	0	1	11
-1.8	0	0	0	1	0	0	1	0	12
-1.9	0	0	0	1	0	0	1	1	13
-2.0	0	0	0	1	0	1	0	0	14
-2.1	0	0	0	1	0	1	0	1	15
-2.2	0	0	0	1	0	1	1	0	16
-2.3	0	0	0	1	0	1	1	1	17
-2.4	0	0	0	1	1	0	0	0	18

Table 12 Data byte to select integration time [subaddress (04)_{HEX}]

FUNCTION	SUBADDRESS	DATA							
		D7	D6	D5	D4	D3	D2	D1	D0
Test byte	0000 0100	X	X	X	X	X	X	INTFU	INT1SN

Function of the bits:

- INTFU = 0 integrator function enabled
- INTFU = 1 integrator function disabled
- INT1SN = 0 integration time approximately 1 s (default)
- INT1SN = 1 integration time approximately 0.5 s.

TV and VTR stereo/dual sound processor
with digital identification and I²C-bus control

TDA9840

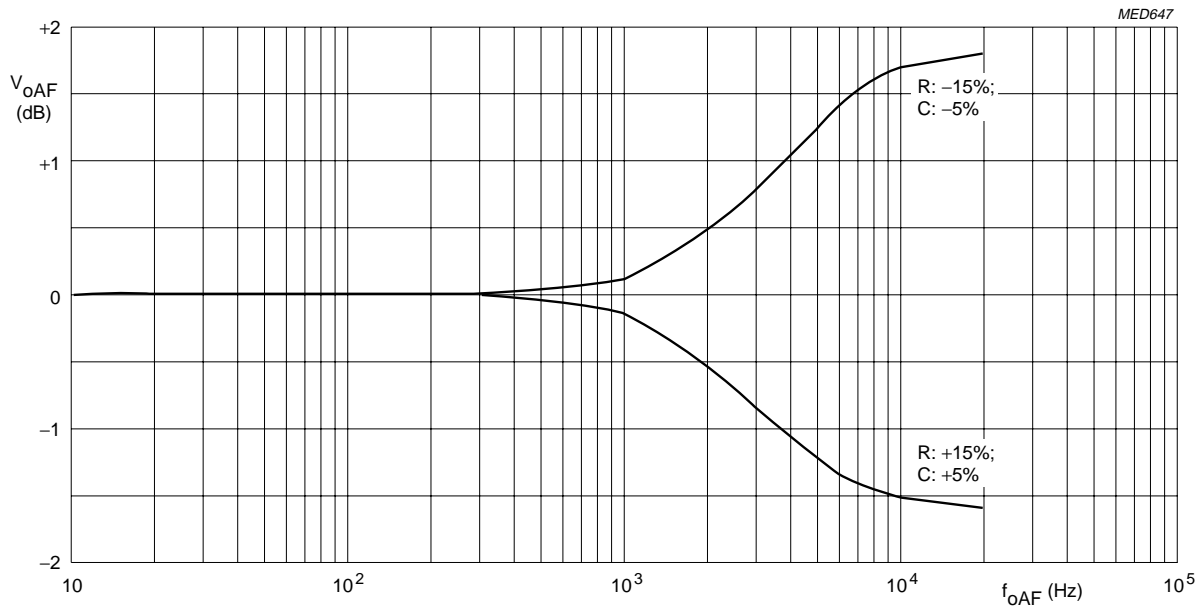


Fig.4 Tolerance scheme of AF frequency response; de-emphasis with $C_{D1}, C_{D2} = 10 \text{ nF} (\pm 5\%)$, $R_{\text{internal}} = 5 \text{ k}\Omega (\pm 15\%)$.

TV and VTR stereo/dual sound processor
with digital identification and I²C-bus control

TDA9840

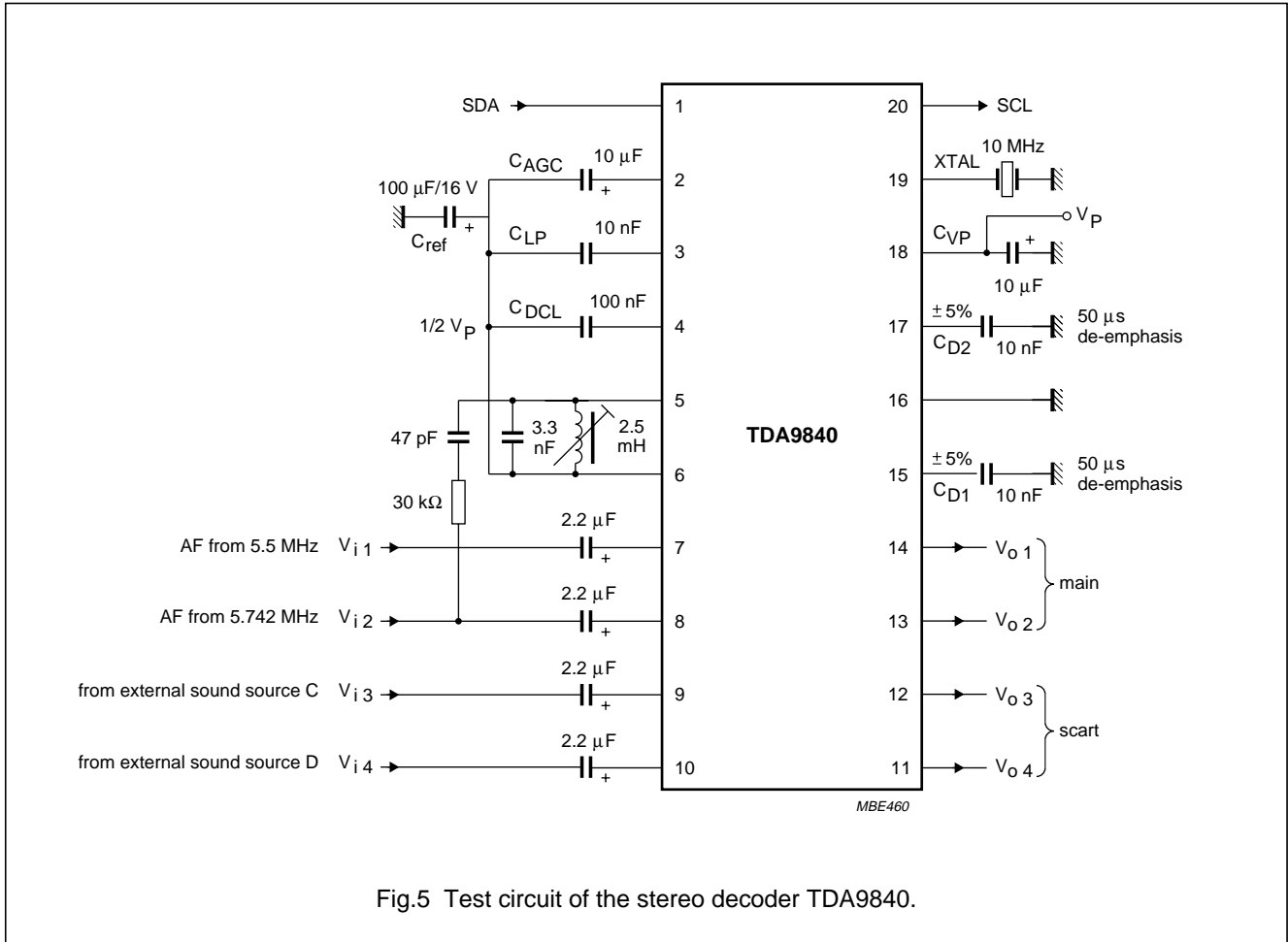


Fig.5 Test circuit of the stereo decoder TDA9840.

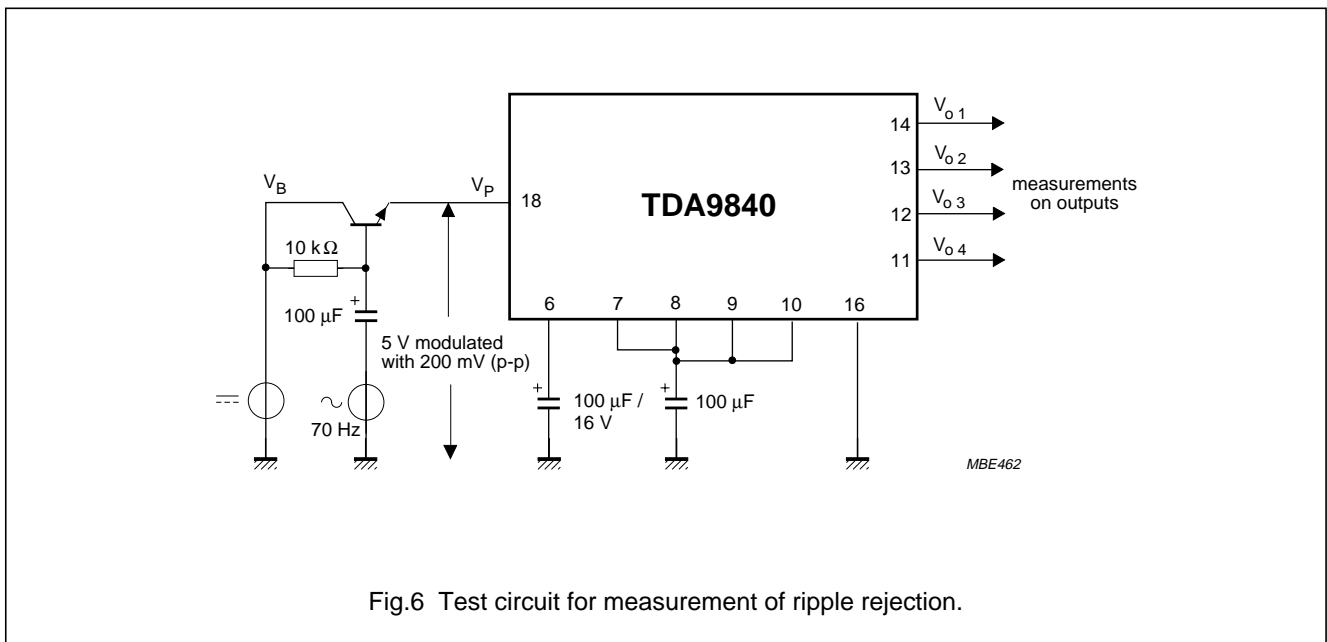


Fig.6 Test circuit for measurement of ripple rejection.

TV and VTR stereo/dual sound processor with digital identification and I²C-bus control

TDA9840

INTERNAL CIRCUITRY

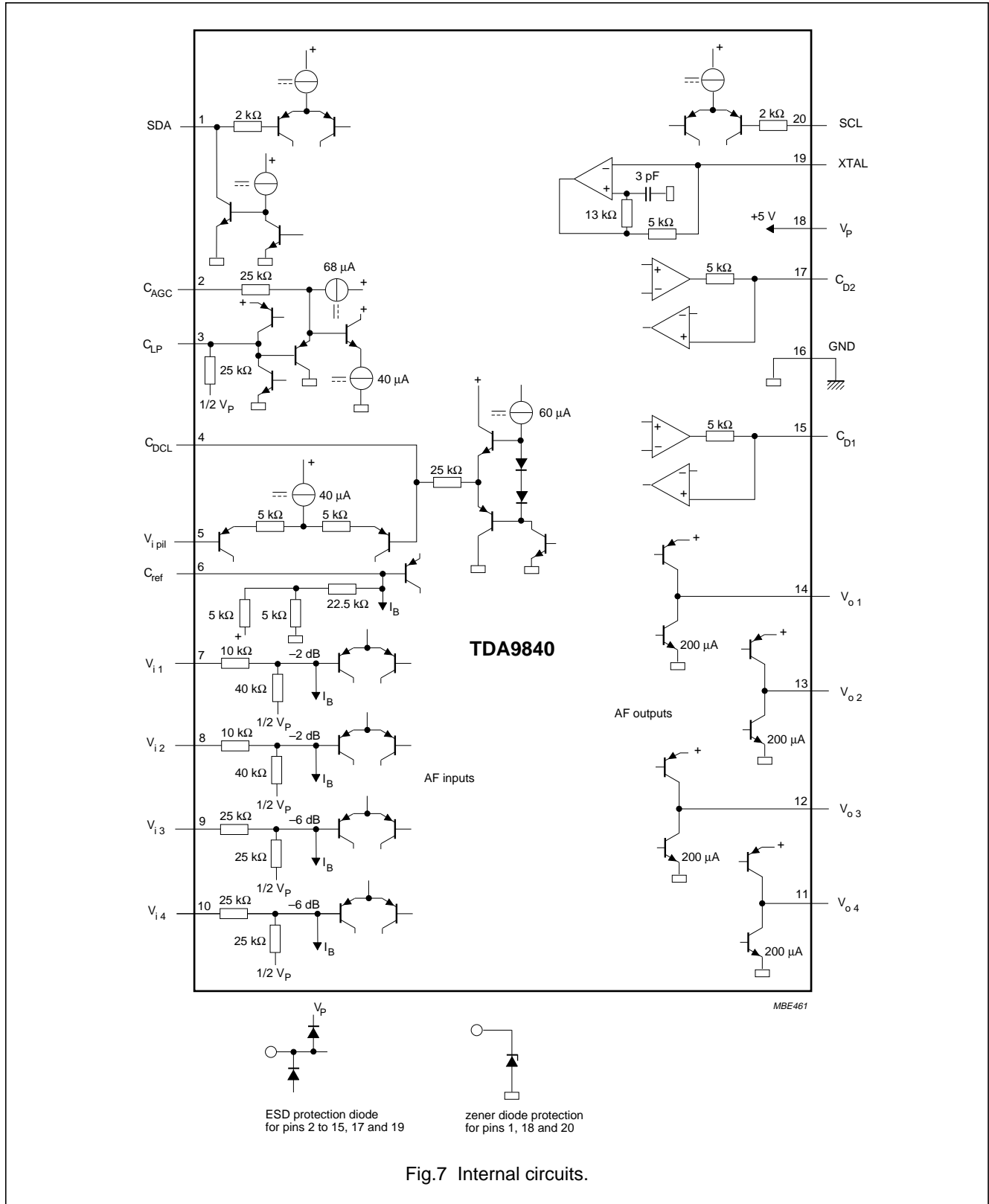


Fig.7 Internal circuits.

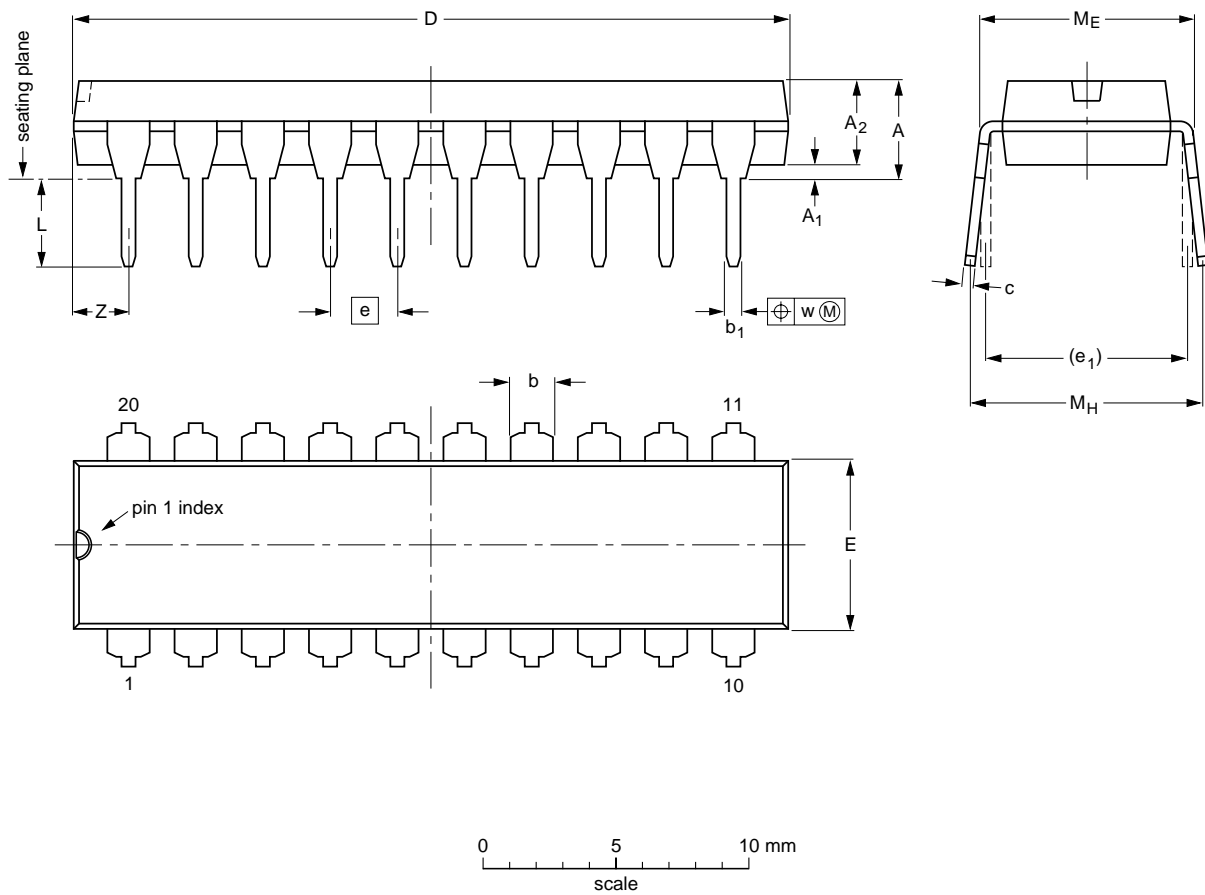
TV and VTR stereo/dual sound processor
with digital identification and I²C-bus control

TDA9840

PACKAGE OUTLINES

DIP20: plastic dual in-line package; 20 leads (300 mil)

SOT146-1



DIMENSIONS (inch dimensions are derived from the original mm dimensions)

UNIT	A max.	A ₁ min.	A ₂ max.	b	b ₁	c	D ⁽¹⁾	E ⁽¹⁾	e	e ₁	L	M _E	M _H	w	Z ⁽¹⁾ max.
mm	4.2	0.51	3.2	1.73 1.30	0.53 0.38	0.36 0.23	26.92 26.54	6.40 6.22	2.54	7.62	3.60 3.05	8.25 7.80	10.0 8.3	0.254	2.0
inches	0.17	0.020	0.13	0.068 0.051	0.021 0.015	0.014 0.009	1.060 1.045	0.25 0.24	0.10	0.30	0.14 0.12	0.32 0.31	0.39 0.33	0.01	0.078

Note

1. Plastic or metal protrusions of 0.25 mm maximum per side are not included.

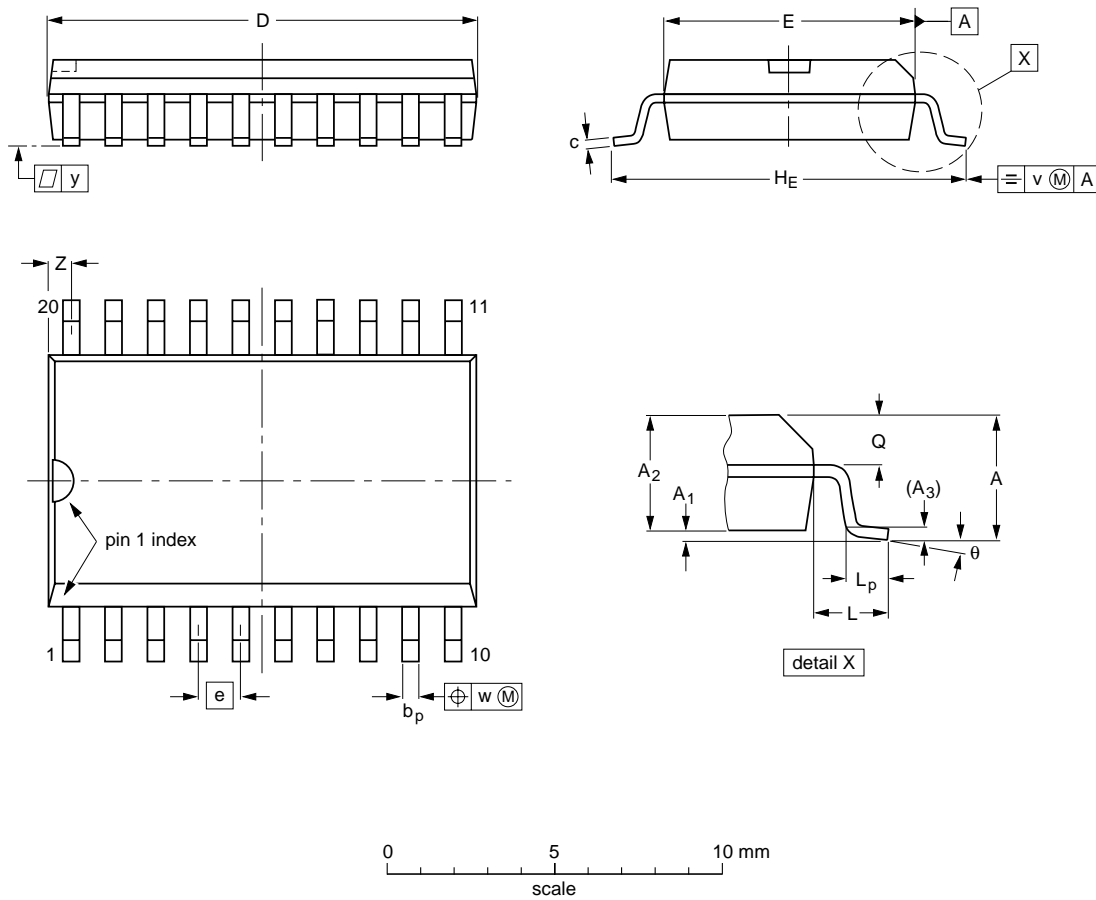
OUTLINE VERSION	REFERENCES				EUROPEAN PROJECTION	ISSUE DATE
	IEC	JEDEC	EIAJ			
SOT146-1			SC603			92-11-17 95-05-24

TV and VTR stereo/dual sound processor
with digital identification and I²C-bus control

TDA9840

SO20: plastic small outline package; 20 leads; body width 7.5 mm

SOT163-1



DIMENSIONS (inch dimensions are derived from the original mm dimensions)

UNIT	A max.	A ₁	A ₂	A ₃	b _p	c	D ⁽¹⁾	E ⁽¹⁾	e	H _E	L	L _p	Q	v	w	y	Z ⁽¹⁾	θ
mm	2.65	0.30 0.10	2.45 2.25	0.25	0.49 0.36	0.32 0.23	13.0 12.6	7.6 7.4	1.27	10.65 10.00	1.4	1.1 0.4	1.1 1.0	0.25	0.25	0.1	0.9 0.4	8° 0°
inches	0.10	0.012 0.004	0.096 0.089	0.01	0.019 0.014	0.013 0.009	0.51 0.49	0.30 0.29	0.050	0.419 0.394	0.055	0.043 0.016	0.043 0.039	0.01	0.01	0.004	0.035 0.016	

Note

1. Plastic or metal protrusions of 0.15 mm maximum per side are not included.

OUTLINE VERSION	REFERENCES				EUROPEAN PROJECTION	ISSUE DATE
	IEC	JEDEC	EIAJ			
SOT163-1	075E04	MS-013AC				95-01-24 97-05-22

TV and VTR stereo/dual sound processor with digital identification and I²C-bus control

TDA9840

SOLDERING

Introduction

There is no soldering method that is ideal for all IC packages. Wave soldering is often preferred when through-hole and surface mounted components are mixed on one printed-circuit board. However, wave soldering is not always suitable for surface mounted ICs, or for printed-circuits with high population densities. In these situations reflow soldering is often used.

This text gives a very brief insight to a complex technology. A more in-depth account of soldering ICs can be found in our *"Data Handbook IC26; Integrated Circuit Packages"* (order code 9398 652 90011).

DIP

SOLDERING BY DIPPING OR BY WAVE

The maximum permissible temperature of the solder is 260 °C; solder at this temperature must not be in contact with the joint for more than 5 seconds. The total contact time of successive solder waves must not exceed 5 seconds.

The device may be mounted up to the seating plane, but the temperature of the plastic body must not exceed the specified maximum storage temperature ($T_{stg\ max}$). If the printed-circuit board has been pre-heated, forced cooling may be necessary immediately after soldering to keep the temperature within the permissible limit.

REPAIRING SOLDERED JOINTS

Apply a low voltage soldering iron (less than 24 V) to the lead(s) of the package, below the seating plane or not more than 2 mm above it. If the temperature of the soldering iron bit is less than 300 °C it may remain in contact for up to 10 seconds. If the bit temperature is between 300 and 400 °C, contact may be up to 5 seconds.

SO

REFLOW SOLDERING

Reflow soldering techniques are suitable for all SO packages.

Reflow soldering requires solder paste (a suspension of fine solder particles, flux and binding agent) to be applied to the printed-circuit board by screen printing, stencilling or pressure-syringe dispensing before package placement.

Several techniques exist for reflowing; for example, thermal conduction by heated belt. Dwell times vary between 50 and 300 seconds depending on heating method. Typical reflow temperatures range from 215 to 250 °C.

Preheating is necessary to dry the paste and evaporate the binding agent. Preheating duration: 45 minutes at 45 °C.

WAVE SOLDERING

Wave soldering techniques can be used for all SO packages if the following conditions are observed:

- A double-wave (a turbulent wave with high upward pressure followed by a smooth laminar wave) soldering technique should be used.
- The longitudinal axis of the package footprint must be parallel to the solder flow.
- The package footprint must incorporate solder thieves at the downstream end.

During placement and before soldering, the package must be fixed with a droplet of adhesive. The adhesive can be applied by screen printing, pin transfer or syringe dispensing. The package can be soldered after the adhesive is cured.

Maximum permissible solder temperature is 260 °C, and maximum duration of package immersion in solder is 10 seconds, if cooled to less than 150 °C within 6 seconds. Typical dwell time is 4 seconds at 250 °C.

A mildly-activated flux will eliminate the need for removal of corrosive residues in most applications.

REPAIRING SOLDERED JOINTS

Fix the component by first soldering two diagonally-opposite end leads. Use only a low voltage soldering iron (less than 24 V) applied to the flat part of the lead. Contact time must be limited to 10 seconds at up to 300 °C. When using a dedicated tool, all other leads can be soldered in one operation within 2 to 5 seconds between 270 and 320 °C.

TV and VTR stereo/dual sound processor with digital identification and I²C-bus control

TDA9840

DEFINITIONS

Data sheet status	
Objective specification	This data sheet contains target or goal specifications for product development.
Preliminary specification	This data sheet contains preliminary data; supplementary data may be published later.
Product specification	This data sheet contains final product specifications.
Limiting values	
Limiting values given are in accordance with the Absolute Maximum Rating System (IEC 134). Stress above one or more of the limiting values may cause permanent damage to the device. These are stress ratings only and operation of the device at these or at any other conditions above those given in the Characteristics sections of the specification is not implied. Exposure to limiting values for extended periods may affect device reliability.	
Application information	
Where application information is given, it is advisory and does not form part of the specification.	

LIFE SUPPORT APPLICATIONS

These products are not designed for use in life support appliances, devices, or systems where malfunction of these products can reasonably be expected to result in personal injury. Philips customers using or selling these products for use in such applications do so at their own risk and agree to fully indemnify Philips for any damages resulting from such improper use or sale.

PURCHASE OF PHILIPS I²C COMPONENTS



Purchase of Philips I²C components conveys a license under the Philips' I²C patent to use the components in the I²C system provided the system conforms to the I²C specification defined by Philips. This specification can be ordered using the code 9398 393 40011.

TV and VTR stereo/dual sound processor
with digital identification and I²C-bus control

TDA9840

NOTES

Philips Semiconductors – a worldwide company

Argentina: see South America

Australia: 34 Waterloo Road, NORTH RYDE, NSW 2113, Tel. +61 2 9805 4455, Fax. +61 2 9805 4466

Austria: Computerstr. 6, A-1101 WIEN, P.O. Box 213, Tel. +43 160 1010, Fax. +43 160 101 1210

Belarus: Hotel Minsk Business Center, Bld. 3, r. 1211, Volodarski Str. 6, 220050 MINSK, Tel. +375 172 200 733, Fax. +375 172 200 773

Belgium: see The Netherlands

Brazil: see South America

Bulgaria: Philips Bulgaria Ltd., Energoproject, 15th floor, 51 James Bourchier Blvd., 1407 SOFIA, Tel. +359 2 689 211, Fax. +359 2 689 102

Canada: PHILIPS SEMICONDUCTORS/COMPONENTS, Tel. +1 800 234 7381

China/Hong Kong: 501 Hong Kong Industrial Technology Centre, 72 Tat Chee Avenue, Kowloon Tong, HONG KONG, Tel. +852 2319 7888, Fax. +852 2319 7700

Colombia: see South America

Czech Republic: see Austria

Denmark: Prags Boulevard 80, PB 1919, DK-2300 COPENHAGEN S, Tel. +45 32 88 2636, Fax. +45 31 57 0044

Finland: Sinikalliontie 3, FIN-02630 ESPOO, Tel. +358 9 615800, Fax. +358 9 61580920

France: 51 Rue Carnot, BP317, 92156 SURESNES Cedex, Tel. +33 1 40 99 6161, Fax. +33 1 40 99 6427

Germany: Hammerbrookstraße 69, D-20097 HAMBURG, Tel. +49 40 23 53 60, Fax. +49 40 23 536 300

Greece: No. 15, 25th March Street, GR 17778 TAVROS/ATHENS, Tel. +30 1 4894 339/239, Fax. +30 1 4814 240

Hungary: see Austria

India: Philips INDIA Ltd, Band Box Building, 2nd floor, 254-D, Dr. Annie Besant Road, Worli, MUMBAI 400 025, Tel. +91 22 493 8541, Fax. +91 22 493 0966

Indonesia: PT Philips Development Corporation, Semiconductors Division, Gedung Philips, Jl. Buncit Raya Kav.99-100, JAKARTA 12510, Tel. +62 21 794 0040 ext. 2501, Fax. +62 21 794 0080

Ireland: Newstead, Clonskeagh, DUBLIN 14, Tel. +353 1 7640 000, Fax. +353 1 7640 200

Israel: RAPAC Electronics, 7 Kehilat Saloniki St, PO Box 18053, TEL AVIV 61180, Tel. +972 3 645 0444, Fax. +972 3 649 1007

Italy: PHILIPS SEMICONDUCTORS, Piazza IV Novembre 3, 20124 MILANO, Tel. +39 2 6752 2531, Fax. +39 2 6752 2557

Japan: Philips Bldg 13-37, Kohnan 2-chome, Minato-ku, TOKYO 108-8507, Tel. +81 3 3740 5130, Fax. +81 3 3740 5077

Korea: Philips House, 260-199 Itaewon-dong, Yongsan-ku, SEOUL, Tel. +82 2 709 1412, Fax. +82 2 709 1415

Malaysia: No. 76 Jalan Universiti, 46200 PETALING JAYA, SELANGOR, Tel. +60 3 750 5214, Fax. +60 3 757 4880

Mexico: 5900 Gateway East, Suite 200, EL PASO, TEXAS 79905, Tel. +9-5 800 234 7381

Middle East: see Italy

Netherlands: Postbus 90050, 5600 PB EINDHOVEN, Bldg. VB, Tel. +31 40 27 82785, Fax. +31 40 27 88399

New Zealand: 2 Wagener Place, C.P.O. Box 1041, AUCKLAND, Tel. +64 9 849 4160, Fax. +64 9 849 7811

Norway: Box 1, Manglerud 0612, OSLO, Tel. +47 22 74 8000, Fax. +47 22 74 8341

Pakistan: see Singapore

Philippines: Philips Semiconductors Philippines Inc., 106 Valero St. Salcedo Village, P.O. Box 2108 MCC, MAKATI, Metro MANILA, Tel. +63 2 816 6380, Fax. +63 2 817 3474

Poland: Ul. Lukiska 10, PL 04-123 WARSZAWA, Tel. +48 22 612 2831, Fax. +48 22 612 2327

Portugal: see Spain

Romania: see Italy

Russia: Philips Russia, Ul. Usatcheva 35A, 119048 MOSCOW, Tel. +7 095 755 6918, Fax. +7 095 755 6919

Singapore: Lorong 1, Toa Payoh, SINGAPORE 319762, Tel. +65 350 2538, Fax. +65 251 6500

Slovakia: see Austria

Slovenia: see Italy

South Africa: S.A. PHILIPS Pty Ltd., 195-215 Main Road Martindale, 2092 JOHANNESBURG, P.O. Box 7430 Johannesburg 2000, Tel. +27 11 470 5911, Fax. +27 11 470 5494

South America: Al. Vicente Pinzon, 173, 6th floor, 04547-130 SÃO PAULO, SP, Brazil, Tel. +55 11 821 2333, Fax. +55 11 821 2382

Spain: Balmes 22, 08007 BARCELONA, Tel. +34 93 301 6312, Fax. +34 93 301 4107

Sweden: Kottbygatan 7, Akalla, S-16485 STOCKHOLM, Tel. +46 8 5985 2000, Fax. +46 8 5985 2745

Switzerland: Allmendstrasse 140, CH-8027 ZÜRICH, Tel. +41 1 488 2741 Fax. +41 1 488 3263

Taiwan: Philips Semiconductors, 6F, No. 96, Chien Kuo N. Rd., Sec. 1, TAIPEI, Taiwan Tel. +886 2 2134 2865, Fax. +886 2 2134 2874

Thailand: PHILIPS ELECTRONICS (THAILAND) Ltd., 209/2 Sanpavuth-Bangna Road Prakanong, BANGKOK 10260, Tel. +66 2 745 4090, Fax. +66 2 398 0793

Turkey: Talatpasa Cad. No. 5, 80640 GÜLTEPE/ISTANBUL, Tel. +90 212 279 2770, Fax. +90 212 282 6707

Ukraine: PHILIPS UKRAINE, 4 Patrice Lumumba str., Building B, Floor 7, 252042 KIEV, Tel. +380 44 264 2776, Fax. +380 44 268 0461

United Kingdom: Philips Semiconductors Ltd., 276 Bath Road, Hayes, MIDDLESEX UB3 5BX, Tel. +44 181 730 5000, Fax. +44 181 754 8421

United States: 811 East Arques Avenue, SUNNYVALE, CA 94088-3409, Tel. +1 800 234 7381

Uruguay: see South America

Vietnam: see Singapore

Yugoslavia: PHILIPS, Trg N. Pasica 5/v, 11000 BEOGRAD, Tel. +381 11 625 344, Fax. +381 11 635 777

For all other countries apply to: Philips Semiconductors, International Marketing & Sales Communications, Building BE-p, P.O. Box 218, 5600 MD EINDHOVEN, The Netherlands, Fax. +31 40 27 24825

Internet: <http://www.semiconductors.philips.com>

© Philips Electronics N.V. 1998

SCA60

All rights are reserved. Reproduction in whole or in part is prohibited without the prior written consent of the copyright owner.

The information presented in this document does not form part of any quotation or contract, is believed to be accurate and reliable and may be changed without notice. No liability will be accepted by the publisher for any consequence of its use. Publication thereof does not convey nor imply any license under patent- or other industrial or intellectual property rights.

Printed in The Netherlands

545104/00/03/pp28

Date of release: 1998 Jul 03

Document order number: 9397 750 03999

Let's make things better.

**Philips
Semiconductors**



PHILIPS