

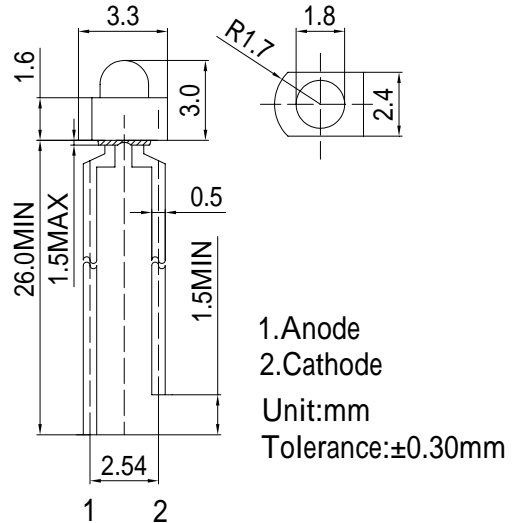
### Features

- High Luminous LEDs
- 1.8mm Tower Standard Directivity
- Long Lifetime Operation (Up to 100,000 hours)
- Superior Weather-resistance
- UV Resistant Epoxy
- Water Clear Type

### Applications

- Electronic Signs And Signals
- Small Area Illuminations
- Back Lighting
- Other Lighting

### Outline Dimension

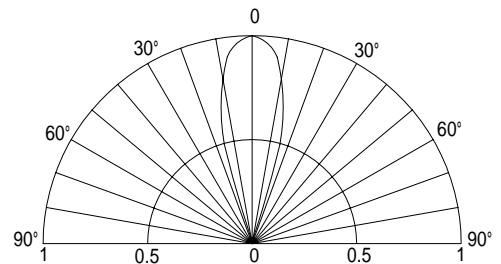


### Absolute Maximum Rating (Ta=25 °C)

| Item                       | Symbol    | Value      | Unit |
|----------------------------|-----------|------------|------|
| DC Forward Current         | $I_F$     | 30         | mA   |
| Pulse Forward Current*     | $I_{FP}$  | 100        | mA   |
| Reverse Voltage            | $V_R$     | 5          | V    |
| Power Dissipation          | $P_D$     | 108        | mW   |
| Operating Temperature      | $T_{opr}$ | -30 ~ +85  |      |
| Storage Temperature        | $T_{stg}$ | -40 ~ +100 |      |
| Lead Soldering Temperature | $T_{sol}$ | 260 /5sec  | -    |

\*Pulse width Max 10ms , Duty ratio max 1/10

### Directivity



### Electrical -Optical Characteristics (Ta=25 °C)

| Item                      | Symbol          | Condition  | Min. | Typ. | Max. | Unit    |
|---------------------------|-----------------|------------|------|------|------|---------|
| DC Forward Voltage        | $V_F$           | $I_F=20mA$ | 2.9  | 3.1  | 3.6  | V       |
| DC Reverse Current        | $I_R$           | $V_R=5V$   | -    | -    | 10   | $\mu A$ |
| Luminous Intensity*       | $I_v$           | $I_F=20mA$ | 4200 | 5800 | -    | mcd     |
| Chromaticity Coordinates* | x               | $I_F=20mA$ | -    | 0.27 | -    |         |
|                           | y               | $I_F=20mA$ | -    | 0.28 | -    |         |
| 50% Power Angle           | $2\theta_{1/2}$ | $I_F=20mA$ | -    | 30   | -    | deg     |

\*1 Tolerance of chromaticity coordinates is ±10%

\*2 Tolerance of luminous intensity is ±15%