



6 Lake Street, Lawrence, MA 01841
 1-800-446-1158 / (978) 620-2600 / Fax: (978) 689-0803
 Website: http://www.microsemi.com

PRELIMINARY TECHNICAL DATA SHEET

Gort Road Business Park, Ennis, Co. Clare, Ireland
 Tel: +353 (0) 65 6840044 Fax: +353 (0) 65 6822298

DEVICES

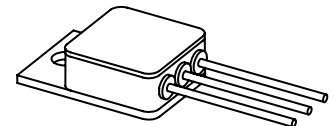
MSiCSN10060CC MSiCSN10060CA MSiCSN10060D

MSiCSS10060CC MSiCSS10060CA MSiCSS10060D

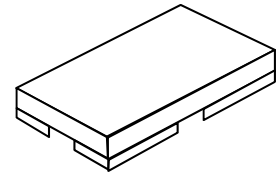
**10A / 600V
 Silicon Carbide
 Dual Schottky Rectifier**

ABSOLUTE MAXIMUM RATINGS ($T_C = +25^\circ\text{C}$ unless otherwise noted)

Parameters / Test Conditions	Symbol	Value	Unit
Peak Repetitive Reverse Voltage	V_{RWM}	600	V
Surge Peak Reverse Voltage	V_{RSM}	600	V
DC Blocking Voltage	V_{DC}	600	V
Average Forward Current, 25°C	I_o	10	Apk
Peak Surge Forward Current @ $t_p = 8.3\text{ms}$, half sinewave, $I_o = 0$; $V_{RM} = 0$	I_{FSM}	50	Apk
Thermal Resistance, Junction to Case	$R_{\theta jc}$		$^\circ\text{C/W}$
Thermal Resistance, Junction to Ambient	$R_{\theta ja}$		$^\circ\text{C/W}$
Operating Junction Temperature	T_j	-65°C to $+225$	$^\circ\text{C}$
Storage Temperature	T_{stg}	-65°C to $+225$	$^\circ\text{C}$



**TO-257
 MSiCSN10060** _____



**U-3
 (SURFACE MOUNT: SMD.5)
 MSiCSS10060** _____

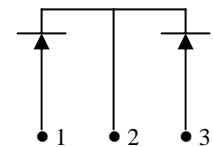
ELECTRICAL CHARACTERISTICS ($T_A = +25^\circ\text{C}$, unless otherwise noted) (Per Diode)

Parameters / Test Conditions	Symbol	Min.	Max.	Unit
Forward Voltage* $I_F = 1\text{A}$, $T_j = 25^\circ\text{C}$ $I_F = 2.5\text{A}$, $T_j = 25^\circ\text{C}$ $I_F = 5.0\text{A}$, $T_j = 25^\circ\text{C}$ $I_F = 10.0\text{A}$, $T_j = 25^\circ\text{C}$	V_F		1.0 1.2 1.4 1.8	V
Reverse Current $V_R = 600\text{V}$, $T_j = 25^\circ\text{C}$ $V_R = 600\text{V}$, $T_j = 175^\circ\text{C}$	I_R		50 100	μA
Junction Capacitance $V_R = 0\text{V}$ $f = 1\text{MHz}$	C_j		550	pF

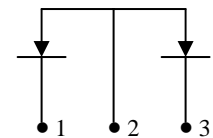
* Pulse test: Pulse width 300 μsec , Duty cycle 2%

Note:

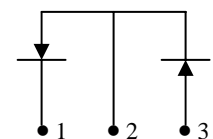
- Derate linearly @ tbd



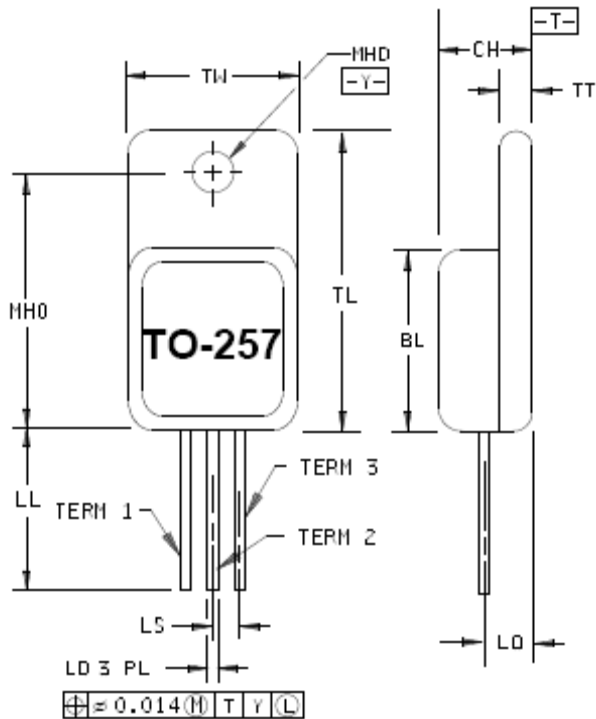
CC - COMMON CATHODE



CA - COMMON ANODE

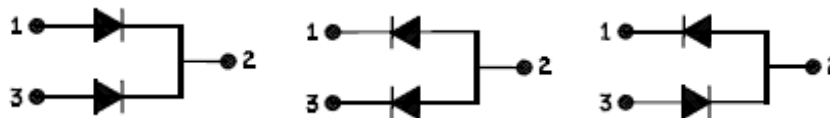


D - DOUBLER

PACKAGE DIMENSIONS


Ltr	Dimensions			
	Millimeters		Inches	
	Min	Max	Min	Max
BL	10.41	10.92	.410	.430
CH	4.83	5.08	.190	.200
LD	0.64	0.89	.025	.035
LL	12.82	15.11	.505	.595
LO	3.05 BSC		.120 BSC	
LS	2.54 BSC		.100 BSC	
MHD	3.56	3.81	.140	.150
MHO	13.39	13.64	.527	.537
TL	16.38	16.89	.6450	.665
TT	0.89	1.14	.035	.045
TW	10.41	10.67	.410	.420
TERM 1	SEE SCHEMATIC			
TERM 2	SEE SCHEMATIC			
TERM 3	SEE SCHEMATIC			

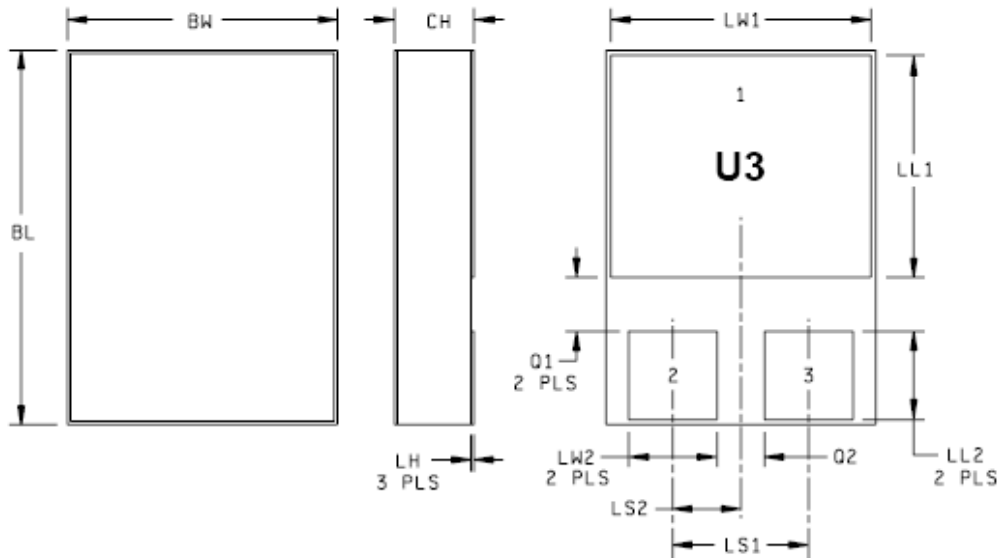
SCHEMATIC



NOTE:

1. Dimensions are in millimeters.
2. Inch equivalents are given for general information only.
3. Glass meniscus included in dimension TL and BL

FIGURE 1 – Dimensions and configuration (TO-257AA)



NOTE:

1. Dimensions are in inches.
2. Millimeters are given for general information only.
3. In accordance with ASME Y14.5M, diameters are equivalent to ϕ x symbology.

Ltr	Dimensions			
	Inches		Millimeters	
	Min	Max	Min	Max
BL	.395	.405	10.04	10.28
BW	.291	.301	7.40	7.64
CH	.1085	.1205	2.76	3.06
LH	.010	.020	0.25	0.51
LW1	.281	.291	7.14	7.41
LW2	.090	.100	2.29	2.54
LL1	.220	.230	5.59	5.84
LL2	.115	.125	2.93	3.17
LS1	.150 BSC		3.81 BSC	
LS2	.075 BSC		1.91 BSC	
Q1	.030		0.762	
Q2	.030		0.762	

SCHEMATIC

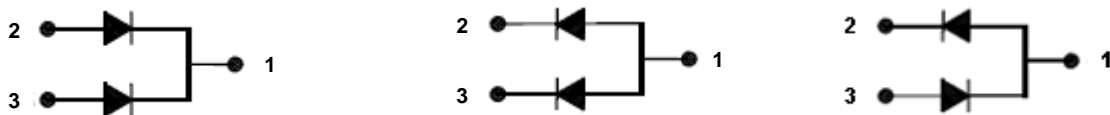


FIGURE 2 – Physical dimensions, surface mount U3 (SMD.5)