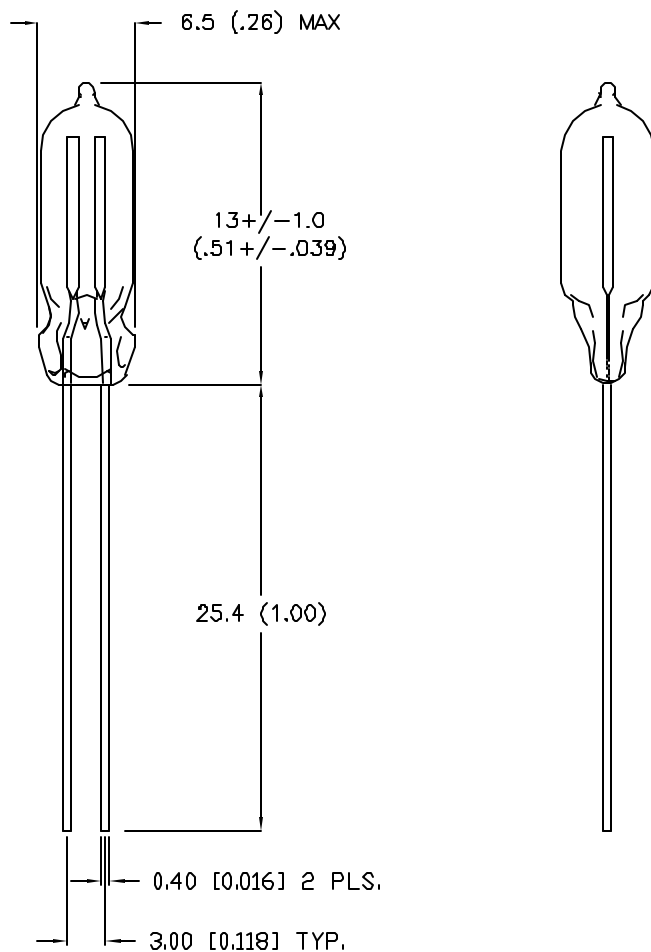


UNCONTROLLED DOCUMENT

PART NUMBER  
GT-NE6H1325

REV.  
B

REV.	E.C.N. NUMBER AND REVISION COMMENTS	DATE
A	E.C.N. #10257.	10.7.96
B	E.C.N. #11148.	12.14.06



ELECTRO-OPTICAL CHARACTERISTICS

PARAMETER	MIN	TYP	MAX	UNITS
OPERATING VOLTAGE	90		115	VOLT
STARTING VOLTAGE (AC)			95	VOLT
		(DC)	135	VOLT
OPERATING CURRENT		1.5		mA
LIGHT OUTPUT		120		mLM
LIFE HOURS		25,000		HOURS

NOTES:

- EXTERNAL RESISTOR VALUE 33K OHMS
- LEAD FINISH UNTINNED (UT) OR TINNED (T).



UNCONTROLLED DOCUMENT

\*UNLESS OTHERWISE SPECIFIED TOLERANCES PER DECIMAL PRECISION ARE: X=±1 (±0.038), XX=±0.5 (±0.020), XXX=±0.25 (±0.010), XXXX=±0.127 (±0.005). LEAD SIZE=±0.05 (0.002), LEAD LENGTH=±0.75 (±0.030). MIN= +DECIMAL PRECISION -0.00 MAX= +0.00 -DECIMAL PRECISION

REV. B	PART NUMBER GT-NE6H1325
-----------	----------------------------

**CONFIDENTIAL INFORMATION**  
THE INFORMATION CONTAINED IN THIS DOCUMENT IS THE PROPERTY OF LUMEX INC. EXCEPT AS SPECIFICALLY AUTHORIZED IN WRITING BY LUMEX INC., THE HOLDER OF THIS DOCUMENT SHALL KEEP ALL INFORMATION CONTAINED HEREIN CONFIDENTIAL AND SHALL PROTECT SAME IN WHOLE OR IN PART FROM DISCLOSURE AND DISSEMINATION TO ALL THIRD PARTIES.



290 E. HELEN ROAD  
PALATINE, IL 60067-6976  
PHONE: +1.847.359.2790  
US WEB: www.lumex.com  
TW WEB: www.lumex.com.tw

NEON LAMP, 6.3 DIA. HIGH BRIGHTNESS.

**RELIABILITY NOTE**  
OUR MANY YEARS OF EXPERIENCE DATA ACCUMULATION INDICATE THAT SOLDER HEAT IS A MAJOR CAUSE OF EARLY AND FUTURE FAILURE. PLEASE PAY ATTENTION TO YOUR SOLDERING PROCESS.

DRAWN BY: jc	CHECKED BY:	APPROVED BY:	DATE: 10.7.96
			PAGE: 1 OF 1
			SCALE: N/A